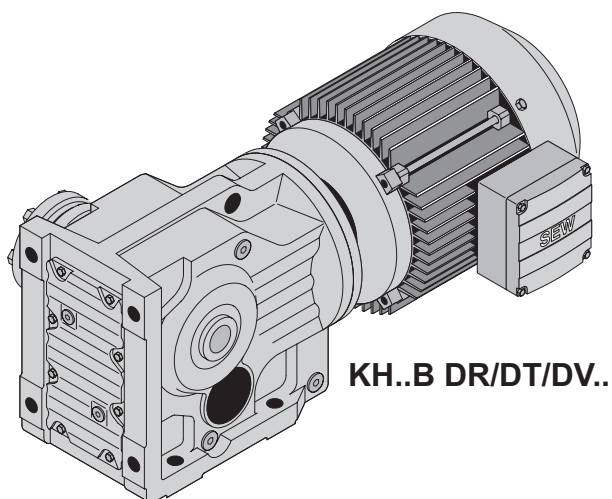
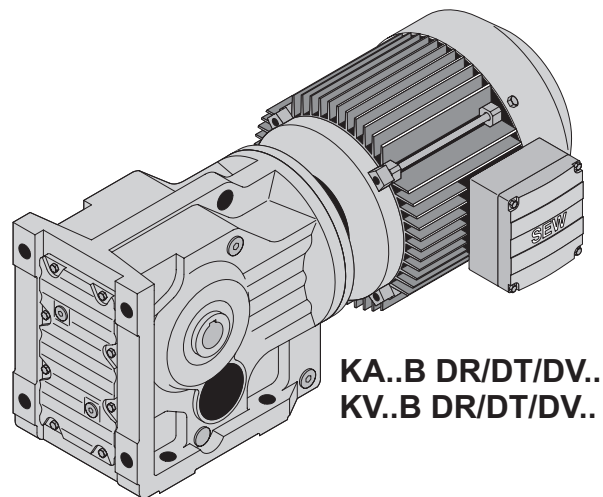
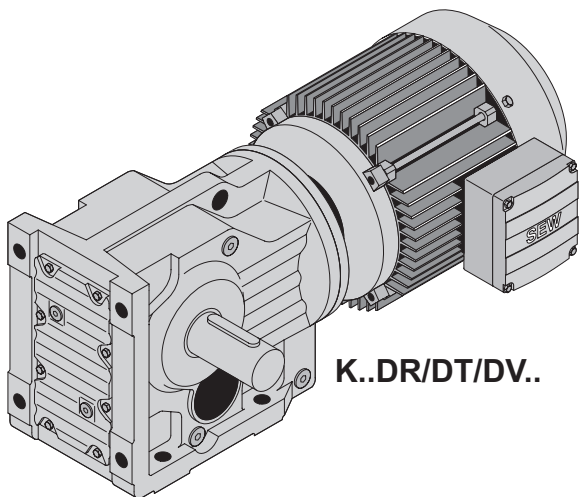
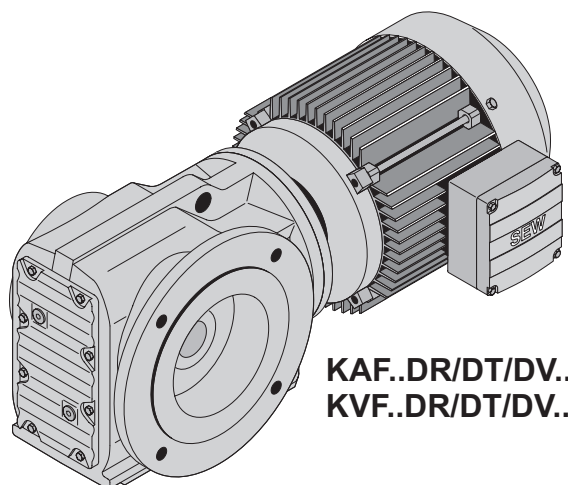
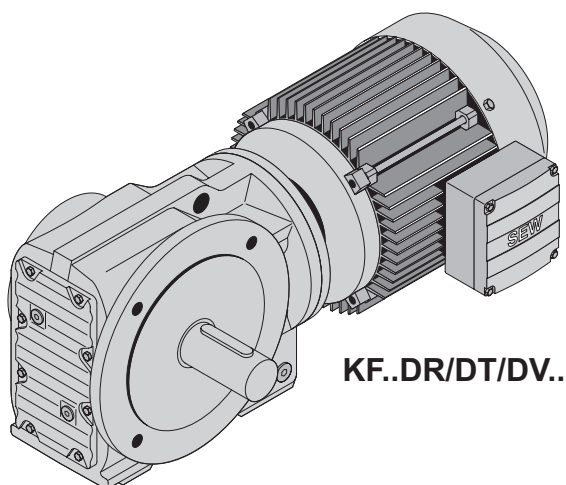


10 K..DR/DT/DV

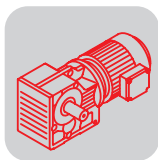
10.1 K, KA..(B), KV..(B), KH..(B), KT, KF, KAF, KVF, KHf, KAZ, KVZ..DR/DT/DV



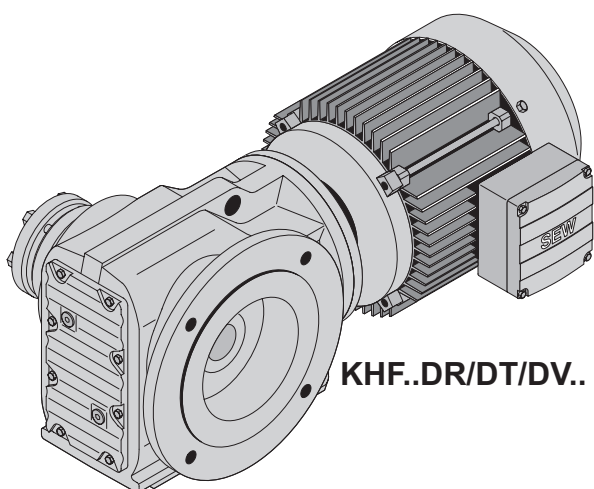
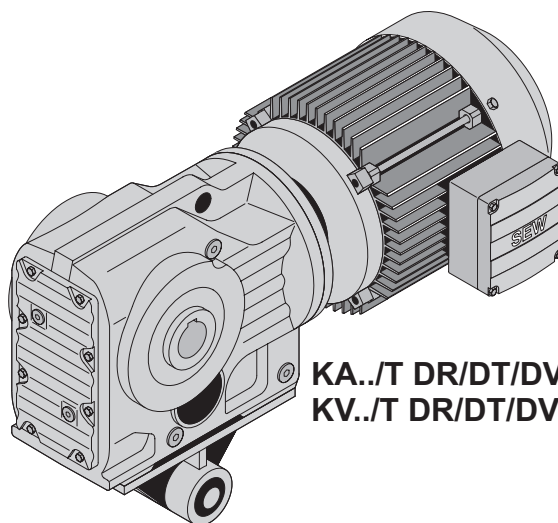
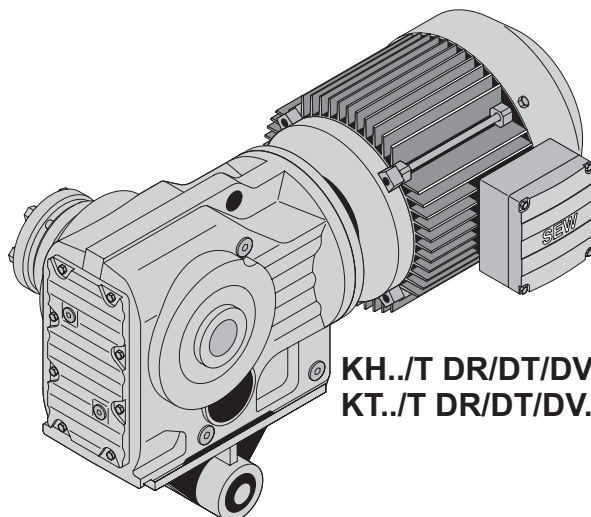
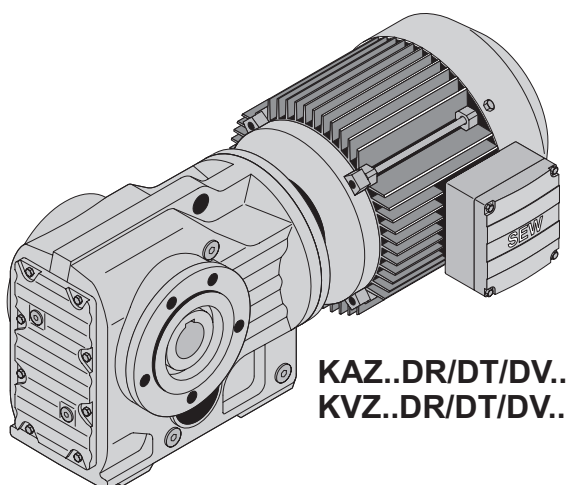
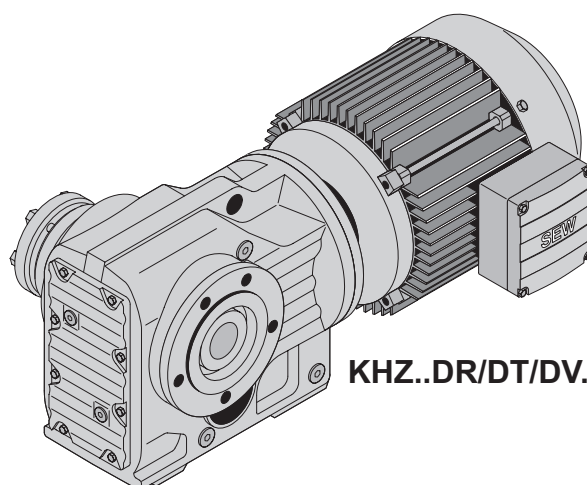
10



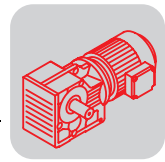
04456AXX

**K..DR/DT/DV**

K, KA..(B), KV..(B), KH..(B), KT, KF, KAF, KVF, KHf, KAZ, KVZ..DR/DT/DV

**KHF..DR/DT/DV..****KA../T DR/DT/DV..
KV../T DR/DT/DV..****KH../T DR/DT/DV..
KT../T DR/DT/DV..****KAZ..DR/DT/DV..
KVZ..DR/DT/DV..****KHZ..DR/DT/DV..**

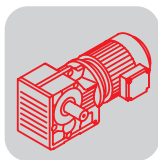
04457AXX



10.2 K.. → DR/DT/DV



K37, n _e = 1400 1/min					200 Nm			
n _a [1/min]	M _{amax} [Nm]	F _{Ra} [N]	φ (/R) [']	i	DR63 DT71	DT80	DT90	DV100
13	200	5640	7	106.38				
14	200	5640	7	97.81				
17	200	5640	7	83.69				
19	200	5520	7	72.54				
21	200	5360	7	67.80				
24	200	5020	7	58.60				
28	200	4660	7	49.79*				
31	200	4420	7	44.46				
37	200	4100	7	37.97				
39	200	3970	7	35.57				
47	200	3650	7	29.96				
49	200	3580	8	28.83				
56	200	3330	8	24.99				
60	195	3260	8	23.36				
69	185	3110	8	20.19				
82	180	2900	8	17.15*				
91	175	2780	9	15.31				
107	165	2650	9	13.08				
115	160	2600	12	12.14				
133	160	2410	12	10.49				
157	160	2200	12	8.91				
176	155	2110	13	7.96				
206	150	1980	13	6.80				
220	145	1950	13	6.37				
261	140	1810	13	5.36				
352	125	1660	13	3.98				

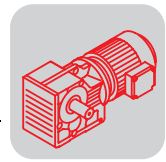
K37R17, n _e = 1400 1/min					200 Nm			
n _a [1/min]	M _{amax} [Nm]	F _{Ra} [N]	φ (/R) [']	i	DR63 DT71	DT80		
3 3								
0.20	200	5640	-	6832				
0.24	200	5640	-	5922				
0.25	200	5640	-	5491				
0.29	200	5640	-	4759				
0.34	200	5640	-	4160				
0.38	200	5640	-	3645				
0.44	200	5640	-	3205				
0.50	200	5640	-	2801				
0.57	200	5640	-	2454				
0.65	200	5640	-	2166				
0.74	200	5640	-	1891				
0.84	200	5640	-	1660				
0.95	200	5640	-	1466				
1.1	200	5640	-	1288				
1.2	200	5640	-	1136				
3 2								
1.4	200	5640	-	996				
1.6	200	5640	-	876				
1.8	200	5640	-	761				
2.1	200	5640	-	671				
2.4	200	5640	-	585				
2.7	200	5640	-	512				
3.1	200	5640	-	451				
3.5	200	5640	-	396				



K37R17, $n_e = 1400$ 1/min					200 Nm	
n_a [1/min]	M_{amax} [Nm]	F_{Ra} [N]	φ (/R) [']	i	DR63 DT71	DT80
4.0	200	5640	-	346		
4.6	200	5640	-	304		
5.2	200	5640	-	267		
6.0	200	5640	-	234		
6.8	200	5640	-	205		
7.7	200	5640	-	181		
8.8	200	5640	-	160		
10	200	5640	-	136		
11	200	5640	-	127		
13	200	5640	-	110		
15	200	5640	-	96		

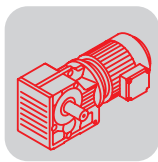
K47, $n_e = 1400$ 1/min					400 Nm			
n_a [1/min]	M_{amax} [Nm]	F_{Ra} [N]	φ (/R) [']	i	DR63 DT71	DT80	DT90	DV100
11	400	5920	6	131.87*				
12	400	5920	6	121.48*				
13	400	5920	6	104.37				
15	400	5920	6	90.86				
16	400	5920	6	85.12*				
19	400	5920	6	75.20*				
20	400	5920	6	69.84				
22	400	5920	7	63.30*				
25	400	5920	7	56.83				
29	400	5920	7	48.95*				
30	400	5920	7	46.03*				
35	400	5920	7	39.61				
40	400	5920	7	35.39				
45	400	5700	7	31.30				
48	400	5520	8	29.32				
54	400	5170	8	25.91				
58	400	4970	8	24.06				
64	400	4710	8	21.81				
72	400	4440	8	19.58				
83	380	4230	8	16.86				
88	380	4080	8	15.86				
103	360	3890	8	13.65				
115	350	3720	8	12.19				
119	280	4060	10	11.77				
133	280	3830	11	10.56				
154	280	3540	11	9.10				
164	270	3500	11	8.56				
190	250	3390	11	7.36				
213	240	3270	12	6.58				
241	230	3140	12	5.81				
302	205	2980	12	4.64				

K47R37, $n_e = 1400$ 1/min					400 Nm			
n_a [1/min]	M_{amax} [Nm]	F_{Ra} [N]	φ (/R) [']	i	DR63 DT71	DT80	DT90	DV100
 3  3								
0.14	400	5920	-	10138				
0.16	400	5920	-	8534				
0.18	400	5920	-	7662				
0.21	400	5920	-	6826				
0.23	400	5920	-	5983				
0.27	400	5920	-	5159				
0.30	400	5920	-	4601				



K47R37, $n_e = 1400$ 1/min					400 Nm			
n_a [1/min]	M_{amax} [Nm]	F_{Ra} [N]	φ (/R) [']	i	DR63 DT71	DT80	DT90	DV100
0.36	400	5920	-	3940				
0.40	400	5920	-	3477				
0.46	400	5920	-	3043				
0.51	400	5920	-	2733				
0.59	400	5920	-	2354				
0.68	400	5920	-	2063				
0.77	400	5920	-	1819				
0.88	400	5920	-	1586				
1.0	400	5920	-	1388				
3 2								
1.1	400	5920	-	1222				
1.3	400	5920	-	1097				
1.5	400	5920	-	945				
1.7	400	5920	-	831				
1.9	400	5920	-	718				
2.2	400	5920	-	639				
2.5	400	5920	-	552				
2.8	400	5920	-	495				
3.3	400	5920	-	426				
3.7	400	5920	-	375				
4.3	400	5920	-	327				
4.8	400	5920	-	289				
5.5	400	5920	-	256				
6.2	400	5920	-	225				
7.1	400	5920	-	198				
8.2	400	5920	-	171				
9.2	400	5920	-	153				
11	400	5920	-	131				
13	400	5920	-	112				
14	400	5920	-	99				
15	400	5920	-	94				

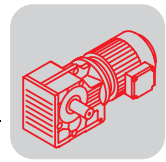
K57, $n_e = 1400$ 1/min					600 Nm			
n_a [1/min]	M_{amax} [Nm]	F_{Ra} [N]	φ (/R) [']	i	DR63 DT71	DT80	DT90	DV100 DV112
9.6	600	7630	6	145.14*				
11	600	7630	6	123.85				
13	600	7630	6	108.29				
14	600	7630	6	102.88*				
16	600	7630	6	90.26*				
18	600	7630	6	76.56*				
20	600	7630	6	69.12				
23	600	7630	6	60.81*				
24	600	7630	6	57.42*				
29	600	7630	6	48.89				
32	600	7630	6	44.43				
36	600	7630	6	38.49				
39	600	7630	7	35.70				
46	600	7310	7	30.28				
51	600	6930	7	27.34				
58	600	6480	7	24.05				
62	600	6280	7	22.71				
72	575	5910	7	19.34				
80	555	5740	7	17.57				
92	535	5430	7	15.22				
106	510	5190	7	13.25				
117	415	5150	9	11.92				
124	415	4990	9	11.26				



K57, $n_e = 1400$ 1/min					600 Nm				
n_a [1/min]	M_{amax} [Nm]	F_{Ra} [N]	φ (/R) [']	i	DR63 DT71	DT80	DT90	DV100	DV112
146	405	4650	10	9.59					
161	390	4520	10	8.71					
185	365	4360	10	7.55					
213	345	4190	10	6.57					
299	300	3800	11	4.69					

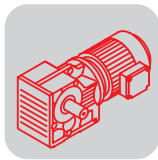
K57R37, $n_e = 1400$ 1/min					600 Nm				
n_a [1/min]	M_{amax} [Nm]	F_{Ra} [N]	φ (/R) [']	i	DR63 DT71	DT80	DT90	DV100	
3 3									
0.12	600	7630	-	12169					
0.13	600	7630	-	11162					
0.15	600	7630	-	9503					
0.16	600	7630	-	8547					
0.19	600	7630	-	7277					
0.22	600	7630	-	6478					
0.25	600	7630	-	5662					
0.28	600	7630	-	5033					
0.32	600	7630	-	4340					
0.36	600	7630	-	3854					
0.41	600	7630	-	3390					
0.48	600	7630	-	2924					
0.54	600	7630	-	2593					
0.62	600	7630	-	2249					
0.70	600	7630	-	1986					
3 2									
0.80	600	7630	-	1743					
0.91	600	7630	-	1539					
1.0	600	7630	-	1354					
1.2	600	7630	-	1174					
1.4	600	7630	-	1036					
1.5	600	7630	-	906					
1.7	600	7630	-	806					
2.0	600	7630	-	699					
2.3	600	7630	-	615					
2.6	600	7630	-	544					
3.0	600	7630	-	473					
3.3	600	7630	-	421					
3.9	600	7630	-	362					
4.4	600	7630	-	319					
5.0	600	7630	-	280					
5.7	600	7630	-	246					
6.5	600	7630	-	215					
7.3	600	7630	-	192					
8.4	600	7630	-	166					
9.7	600	7630	-	145					
11	600	7630	-	129					
13	600	7630	-	111					
14	600	7630	-	97					

K67, $n_e = 1400$ 1/min					820 Nm					
n_a [1/min]	M_{amax} [Nm]	F_{Ra} [N]	φ (/R) [']	i	DR63 DT71	DT80	DT90	DV100	DV112	DV132S DV132M
9.7	820	10300	6	144.79*						
11	820	10300	6	123.54						
13	820	10300	6	108.03						
14	820	10300	6	102.62						



K67, n _e = 1400 1/min						820 Nm				
n _a [1/min]	M _{amax} [Nm]	F _{Ra} [N]	φ (°/R) [']	i	DR63 DT71	DT80	DT90	DV100	DV112	DV132S DV132M
16	820	10300	6	90.04						
18	820	10300	6	76.37						
20	820	10300	6	68.95						
23	820	10300	6	60.66						
24	820	10300	6	57.28						
29	820	10300	6	48.77						
32	820	10300	6	44.32						
36	800	10500	6	38.39						
39	820	10300	7	35.62						
46	820	10300	7	30.22						
51	820	10300	7	27.28						
58	800	10500	7	24.00						
62	780	10700	7	22.66						
73	760	10800	7	19.30						
80	740	11000	7	17.54						
92	700	11300	8	15.19						
106	670	11500	8	13.22						
112	530	12300	9	12.48						
132	500	11800	9	10.63						
145	480	11500	9	9.66						
167	440	11100	9	8.37						
192	420	10700	9	7.28						
269	350	9870	10	5.20						

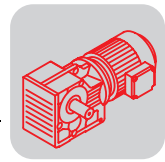
K67R37, n _e = 1400 1/min						820 Nm			
n _a [1/min]	M _{amax} [Nm]	F _{Ra} [N]	φ (°/R) [']	i	DR63 DT71	DT80	DT90	DV100	
3 3									
0.12	820	10300	-	12139					
0.13	820	10300	-	11134					
0.15	820	10300	-	9479					
0.17	820	10300	-	8173					
0.19	820	10300	-	7259					
0.22	820	10300	-	6462					
0.25	820	10300	-	5648					
0.29	820	10300	-	4846					
0.32	820	10300	-	4329					
0.37	820	10300	-	3750					
0.42	820	10300	-	3315					
0.48	820	10300	-	2917					
0.55	820	10300	-	2532					
0.62	820	10300	-	2244					
0.71	820	10300	-	1981					
3 2									
0.81	820	10300	-	1739					
0.91	820	10300	-	1535					
1.0	820	10300	-	1351					
1.2	820	10300	-	1171					
1.4	820	10300	-	1034					
1.6	820	10300	-	903					
1.8	820	10300	-	793					
2.0	820	10300	-	697					
2.3	820	10300	-	613					
2.6	820	10300	-	542					
3.0	820	10300	-	471					
3.3	820	10300	-	420					
3.9	820	10300	-	361					



K67R37, n_e = 1400 1/min					820 Nm			
n _a [1/min]	M _{amax} [Nm]	F _{Ra} [N]	φ (R) [']	i	DR63 DT71	DT80	DT90	DV100
4.3	820	10300	-	323				
5.0	820	10300	-	279				
5.7	820	10300	-	246				
6.5	820	10300	-	217				
7.3	820	10300	-	191				
8.4	820	10300	-	166				
9.7	820	10300	-	144				
11	820	10300	-	122				

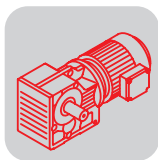
K77, n_e = 1400 1/min					1550 Nm						
n _a [1/min]	M _{amax} [Nm]	F _{Ra} [N]	φ (R) [']	i	DR63 DT71	DT80	DT90	DV100	DV112	DV132S DV132M	DV132ML DV160M
7.3	1450	16100	5	192.18							
7.8	1450	16100	5	179.37							
9.1	1550	15400	5	154.02							
10	1550	15400	5	135.28							
11	1550	15400	5	128.52							
12	1550	15400	5	113.56							
14	1550	15400	5	97.05							
16	1550	15400	5	88.97							
18	1550	15400	5	78.07							
19	1550	15400	5	73.99							
22	1550	15400	5	64.75							
24	1550	15400	6	58.34							
27	1550	15400	6	51.18							
31	1550	15400	6	45.16							
35	1550	15400	6	40.04							
36	1500	15700	6	38.39							
40	1550	15400	6	35.20							
45	1550	15400	6	30.89							
48	1550	15400	6	29.27							
55	1550	15400	6	25.62							
61	1550	15400	6	23.08							
69	1500	15700	6	20.25							
78	1450	16100	6	17.87							
88	1400	15500	6	15.84							
104	1340	14800	7	13.52							
113	1000	15100	8	12.36							
129	990	14400	8	10.84							
146	940	13900	8	9.56							
165	890	13500	8	8.48							
193	820	13100	8	7.24							





K77R37, n_e = 1400 1/min					1550 Nm				
n _a [1/min]	M _{amax} [Nm]	F _{Ra} [N]	φ (R) [']	i	DR63 DT71	DT80	DT90	DV100	
3 3									
0.09	1550	15400	-	15310					
0.10	1550	15400	-	14043					
0.12	1550	15400	-	11955					
0.14	1550	15400	-	10217					
0.16	1550	15400	-	8809					
0.19	1550	15400	-	7528					
0.21	1550	15400	-	6606					
0.24	1550	15400	-	5774					
0.28	1550	15400	-	5089					
0.31	1550	15400	-	4489					
0.35	1550	15400	-	3961					



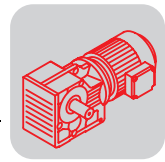
K77R37, $n_e = 1400$ 1/min					1550 Nm			
n_a [1/min]	M_{amax} [Nm]	F_{Ra} [N]	φ (/R) [']	i	DR63 DT71	DT80	DT90	DV100
0.40	1550	15400	-	3485				
0.48	1550	15400	-	2901				
0.52	1550	15400	-	2717				
0.59	1550	15400	-	2370				
3 2								
0.68	1550	15400	-	2050				
0.79	1550	15400	-	1772				
0.92	1550	15400	-	1514				
1.0	1550	15400	-	1388				
1.1	1550	15400	-	1218				
1.3	1550	15400	-	1053				
1.5	1550	15400	-	924				
1.7	1550	15400	-	815				
2.0	1550	15400	-	709				
2.3	1550	15400	-	622				
2.5	1550	15400	-	552				
2.9	1550	15400	-	485				
3.3	1550	15400	-	428				
3.8	1550	15400	-	367				
4.3	1550	15400	-	328				
4.8	1550	15400	-	290				
5.6	1550	15400	-	252				
6.3	1550	15400	-	221				
7.2	1550	15400	-	195				
8.0	1550	15400	-	175				
9.1	1550	15400	-	154				

K87, $n_e = 1400$ 1/min					2700 Nm						
n_a [1/min]	M_{amax} [Nm]	F_{Ra} [N]	φ (/R) [']	i	DT80	DT90	DV100	DV112	DV132S DV132M	DV132ML DV160M DV160L	DV180
7.1	2700	27300	5	197.37							
8.0	2700	27300	5	174.19							
8.5	2700	27300	5	164.34*							
9.5	2700	27300	5	147.32*							
11	2700	27300	5	126.91*							
12	2700	27300	5	115.82							
14	2700	27300	5	102.71*							
16	2700	27300	5	86.34							
18	2700	27300	5	79.34							
20	2700	27300	5	70.46							
22	2700	26200	5	63.00*							
25	2700	25000	5	56.64							
28	2700	23500	5	49.16							
32	2600	22800	6	44.02							
38	2500	21400	6	36.52*							
45	2700	19200	6	31.39							
50	2600	18500	6	27.88							
56	2500	18000	6	24.92							
62	2300	17900	6	22.41							
72	2300	16800	6	19.45							
80	2200	16300	6	17.42							
88	1800	16000	6	16.00							
97	2100	15300	6	14.45							
111	2000	14800	6	12.56							
125	1500	14900	7	11.17							
140	1500	14200	7	10.00							
169	1400	13500	7	8.29							
194	1300	13200	7	7.21							


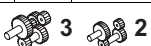



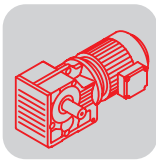
K87R57, $n_e = 1400$ 1/min					2700 Nm					
n_a [1/min]	M_{amax} [Nm]	F_{Ra} [N]	φ (/R) [']	i	DR63 DT71	DT80	DT90	DV100	DV112	DV132S DV132M
 3  3										
0.09	2700	27300	-	14829						
0.11	2700	27300	-	13168						
0.12	2700	27300	-	11737						
0.14	2700	27300	-	10217						
0.15	2700	27300	-	9073						
0.18	2700	27300	-	7854						
0.20	2700	27300	-	6832						
0.24	2700	27300	-	5930						
0.27	2700	27300	-	5240						
0.31	2700	27300	-	4562						
0.35	2700	27300	-	4037						
0.39	2700	27300	-	3609						
0.45	2700	27300	-	3107						
0.51	2700	27300	-	2728						
0.59	2700	27300	-	2371						
 3  2										
0.67	2700	27300	-	2088						
0.76	2700	27300	-	1854						
0.84	2700	27300	-	1657						
0.99	2700	27300	-	1415						
1.1	2700	27300	-	1229						
1.3	2700	27300	-	1078						
1.5	2700	27300	-	951						
1.7	2700	27300	-	837						
1.9	2700	27300	-	726						
2.2	2700	27300	-	638						
2.5	2700	27300	-	562						
3.0	2700	27300	-	474						
3.3	2700	27300	-	426						
3.8	2700	27300	-	373						
4.2	2700	27300	-	330						
4.8	2700	27300	-	294						
5.6	2700	27300	-	250						
5.9	2700	27300	-	236						
7.0	2700	27300	-	201						
7.7	2700	27300	-	183						
8.8	2700	27300	-	159						
9.9	2600	27400	-	141						

K97, $n_e = 1400$ 1/min					4300 Nm						
n_a [1/min]	M_{amax} [Nm]	F_{Ra} [N]	φ (/R) [']	i	DT90	DV100	DV112	DV132S DV132M	DV132ML DV160M DV160L	DV180	DV200
8.0	4300	40000	7	176.05*							
9.1	4300	40000	7	153.21*							
10	4300	40000	7	140.28							
11	4300	40000	7	123.93*							
13	4300	40000	7	105.13							
14	4300	40000	7	96.80							
16	4300	38800	7	86.52							
18	4300	37100	7	77.89*							
20	4300	35600	7	70.54							
22	4300	33800	7	62.55							
25	4300	32300	7	56.55							
29	4300	30000	7	47.93*							
33	4300	28300	7	41.87							
37	4300	27100	7	38.30							



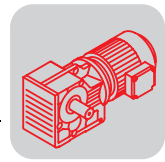
K97, n _e = 1400 1/min					4300 Nm						
n _a [1/min]	M _{amax} [Nm]	F _{Ra} [N]	φ (/R) [']	i	DT90	DV100	DV112	DV132S DV132M	DV132ML DV160M DV160L	DV180	DV200
41	4300	25700	7	34.23							
45	4300	24500	7	30.82							
50	4300	23300	8	27.91							
57	4300	22000	8	24.75							
63	4300	20900	8	22.37							
74	4300	19100	8	18.96							
85	4300	17800	8	16.56							
101	4300	16100	8	13.85							
117	3890	16200	8	11.99							
134	2870	16400	10	10.41							
161	2660	15800	10	8.71							

K97R57, n _e = 1400 1/min					4300 Nm					
n _a [1/min]	M _{amax} [Nm]	F _{Ra} [N]	φ (/R) [']	i	DR63 DT71	DT80	DT90	DV100	DV112	DV132S DV132M
 3										
0.08	4300	40000	-	18091						
0.08	4300	40000	-	16666						
0.09	4300	40000	-	14897						
0.11	4300	40000	-	13182						
0.12	4300	40000	-	11677						
0.14	4300	40000	-	10317						
0.15	4300	40000	-	9083						
0.17	4300	40000	-	8054						
0.20	4300	40000	-	6970						
0.23	4300	40000	-	6027						
0.26	4300	40000	-	5391						
0.30	4300	40000	-	4669						
0.34	4300	40000	-	4082						
0.39	4300	40000	-	3583						
0.45	4300	40000	-	3108						
0.51	4300	40000	-	2757						
 3										
 2										
0.58	4300	40000	-	2419						
0.66	4300	40000	-	2123						
0.75	4300	40000	-	1856						
0.86	4300	40000	-	1625						
0.98	4300	40000	-	1430						
1.1	4300	40000	-	1261						
1.3	4300	40000	-	1102						
1.5	4300	40000	-	957						
1.6	4300	40000	-	855						
1.9	4300	40000	-	743						
2.1	4300	40000	-	652						
2.4	4300	40000	-	573						
2.8	4300	40000	-	504						
3.2	4300	40000	-	437						
3.7	4300	40000	-	382						
4.1	4300	40000	-	342						
4.6	4300	40000	-	305						
5.4	4300	40000	-	258						
6.0	4300	40000	-	232						
7.0	4300	40000	-	199						





K107, $n_e = 1400$ 1/min					8000 Nm					
n_a [1/min]	M_{amax} [Nm]	F_{Ra} [N]	φ (/R) [']	i	DV100	DV112	DV132S DV132M	DV132ML DV160M DV160L	DV180	DV200 DV225S DV225M
9.8	8000	65000	6	143.47*						
12	8000	61700	6	121.46						
12	8000	59700	6	112.41*						
14	8000	57000	6	100.75						
15	8000	54600	6	90.96*						
17	8000	52400	6	82.61						
19	8000	49700	6	73.30						
21	8000	47600	6	66.52*						
24	8000	44400	6	57.17*						
28	7840	42200	6	49.90						
33	7360	40500	6	42.33*						
38	7200	38500	6	37.00*						
43	7200	36300	6	32.69						
45	6800	36700	6	31.28*						
48	7200	34000	6	29.00						
53	7200	32000	6	26.32						
62	7200	28900	6	22.62						
71	7200	26100	6	19.74						
84	7050	23600	7	16.75						
96	6890	21900	7	14.64						
104	4300	29200	9	13.43						
119	4300	27500	9	11.73						
141	4190	25800	9	9.94						
161	4070	24600	9	8.69						

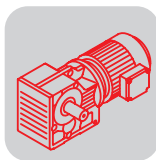
K107R77, $n_e = 1400$ 1/min					8000 Nm						
n_a [1/min]	M_{amax} [Nm]	F_{Ra} [N]	φ (/R) [']	i	DR63 DT71	DT80	DT90	DV100	DV112	DV132S DV132M	DV132ML DV160M
3 3											
0.10	8000	65000	-	14311							
0.11	8000	65000	-	12211							
0.13	8000	65000	-	10677							
0.15	8000	65000	-	9524							
0.17	8000	65000	-	8328							
0.19	8000	65000	-	7270							
0.23	8000	65000	-	6184							
0.25	8000	65000	-	5662							
0.27	8000	65000	-	5138							
0.32	8000	65000	-	4359							
0.37	8000	65000	-	3810							
0.42	8000	65000	-	3358							
0.47	8000	65000	-	2977							
0.54	8000	65000	-	2599							
0.61	8000	65000	-	2286							
0.72	8000	65000	-	1939							
3 2											
0.82	8000	65000	-	1713							
0.90	8000	65000	-	1554							
1.0	8000	65000	-	1336							
1.2	8000	65000	-	1166							
1.4	8000	65000	-	1030							
1.5	8000	65000	-	904							
1.8	8000	65000	-	793							
2.0	8000	65000	-	696							
2.3	8000	65000	-	615							
2.7	8000	65000	-	522							
3.0	8000	65000	-	461							



K107R77, $n_e = 1400$ 1/min					8000 Nm						
n_a [1/min]	M_{amax} [Nm]	F_{Ra} [N]	φ (/R) [']	i	DR63 DT71	DT80	DT90	DV100	DV112	DV132S DV132M	DV132ML DV160M
3.4	8000	65000	-	408							
3.8	8000	65000	-	364							
4.4	8000	65000	-	318							
4.9	8000	65000	-	286							
5.6	8000	65000	-	251							
6.3	8000	65000	-	222							
7.1	8000	65000	-	196							
8.0	7200	65000	-	174							
9.1	7200	65000	-	154							
10	7200	65000	-	140							

K127, $n_e = 1400$ 1/min					13000 Nm					
n_a [1/min]	M_{amax} [Nm]	F_{Ra} [N]	φ (/R) [']	i	DV132M	DV132ML DV160M DV160L	DV180	DV200 DV225S DV225M	DV250M DV280S D280M	D315S D315M
9.6	13000	79200	5	146.07						
10	13000	79200	5	136.14						
11	13000	79200	5	122.48						
13	13000	79200	5	110.18						
16	13000	75100	5	89.89						
17	13000	72100	5	81.98						
20	13000	67700	5	70.95*						
22	13000	64000	5	62.60						
26	13000	59900	5	54.07						
29	13000	56500	5	47.82						
35	13000	52000	5	40.19						
39	13000	49400	6	36.25						
45	13000	45900	6	31.37						
51	13000	43000	6	27.68						
59	13000	39800	6	23.91						
66	13000	37200	6	21.15						
79	13000	33600	6	17.77						
98	12100	31800	6	14.35						
109	8530	35400	8	12.79						
130	8000	33900	8	10.74						
161	7230	32500	8	8.68						

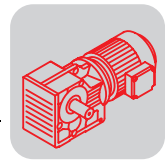
K127R77, $n_e = 1400$ 1/min					13000 Nm						
n_a [1/min]	M_{amax} [Nm]	F_{Ra} [N]	φ (/R) [']	i	DR63 DT71	DT80	DT90	DV100	DV112	DV132S DV132M	DV132ML DV160M
 3  3											
0.08	13000	79200	-	17550							
0.09	13000	79200	-	16006							
0.09	13000	79200	-	14975							
0.11	13000	79200	-	12440							
0.13	13000	79200	-	10915							
0.14	13000	79200	-	9819							
0.17	13000	79200	-	8443							
0.19	13000	79200	-	7482							
0.21	13000	79200	-	6565							
0.24	13000	79200	-	5804							
0.28	13000	79200	-	5027							
0.32	13000	79200	-	4423							
0.36	13000	79200	-	3889							
0.42	13000	79200	-	3311							
0.47	13000	79200	-	3009							
0.54	13000	79200	-	2607							
0.62	13000	79200	-	2268							



K127R77, $n_e = 1400$ 1/min					13000 Nm						
n_a [1/min]	M_{amax} [Nm]	F_{Ra} [N]	φ (/R) [']	i	DR63 DT71	DT80	DT90	DV100	DV112	DV132S DV132M	DV132ML DV160M
3 2											
0.73	13000	79200	-	1926							
0.80	13000	79200	-	1757							
0.91	13000	79200	-	1541							
1.0	13000	79200	-	1342							
1.2	13000	79200	-	1177							
1.4	13000	79200	-	1025							
1.6	13000	79200	-	899							
1.8	13000	79200	-	790							
2.0	13000	79200	-	704							
2.3	13000	79200	-	610							
2.6	13000	79200	-	549							
2.9	13000	79200	-	477							
3.3	13000	79200	-	418							

K127R87, $n_e = 1400$ 1/min					13000 Nm					
n_a [1/min]	M_{amax} [Nm]	F_{Ra} [N]	φ (/R) [']	i	DT90	DV100	DV112	DV132S DV132M	DV132ML DV160M DV160L	DV180
3 2										
2.6	13000	79200	-	536						
3.0	13000	79200	-	473						
3.3	13000	79200	-	418						
3.8	13000	79200	-	367						
4.2	13000	79200	-	330						
4.9	13000	79200	-	287						
5.5	13000	79200	-	253						
6.6	13000	79200	-	213						
7.0	12000	79700	-	200						
8.4	12000	79700	-	166						
9.5	12000	79700	-	147						

K157, $n_e = 1400$ 1/min					18000 Nm					
n_a [1/min]	M_{amax} [Nm]	F_{Ra} [N]	φ (/R) [']	i	DV132ML DV160M DV160L	DV180	DV200 DV225S DV225M	DV250M DV280S D280M	D315S D315M	D315M_A D315M_B
9.3	18000	112200	5	150.41						
11	18000	106500	5	122.39						
14	18000	98000	5	100.22						
15	18000	94400	5	91.65						
18	18000	88900	5	79.75						
20	18000	84200	5	70.38						
23	18000	79000	5	61.02						
26	18000	74900	5	54.29						
30	18000	70000	5	46.79						
37	18000	63300	5	38.02						
45	18000	57500	6	31.30						
51	18000	54000	6	27.62						
58	18000	50000	6	23.95						
66	18000	47000	6	21.31						
76	18000	43200	6	18.37						
94	18000	38200	6	14.92						
111	17000	36700	6	12.65						



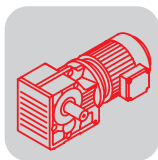
K157R97, n_e = 1400 1/min **18000 Nm**

n _a [1/min]	M _{amax} [Nm]	F _{Ra} [N]	φ (/R) [']	i	DT80	DT90	DV100	DV112	DV132S DV132M	DV132ML DV160M DV160L	DV180	DV200
3 3												
0.08	18000	112200	-	17679								
0.09	18000	112200	-	15729								
0.10	18000	112200	-	14721								
0.11	18000	112200	-	13097								
0.12	18000	112200	-	11368								
0.14	18000	112200	-	10114								
0.16	18000	112200	-	8718								
0.18	18000	112200	-	7734								
0.20	18000	112200	-	6881								
0.24	18000	112200	-	5931								
0.28	18000	112200	-	5074								
0.31	18000	112200	-	4514								
0.35	18000	112200	-	3979								
0.40	18000	112200	-	3516								
0.46	18000	112200	-	3051								
0.54	18000	112200	-	2610								
0.60	18000	112200	-	2322								
0.69	18000	112200	-	2029								
0.78	18000	112200	-	1805								

3 2												
0.84	18000	112200	-	1659								
1.0	18000	112200	-	1365								
1.1	18000	112200	-	1229								
1.3	18000	112200	-	1093								
1.5	18000	112200	-	942								
1.6	18000	112200	-	854								
1.9	18000	112200	-	756								
2.1	18000	112200	-	661								
2.5	18000	112200	-	567								
2.8	18000	112200	-	504								
3.2	18000	112200	-	434								
3.7	18000	112200	-	379								
4.2	18000	112200	-	333								
4.8	18000	112200	-	291								

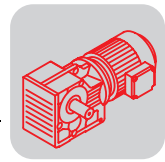
K157R107, n_e = 1400 1/min **18000 Nm**

n _a [1/min]	M _{amax} [Nm]	F _{Ra} [N]	φ (/R) [']	i	DV132S DV132M	DV132ML DV160M DV160L	DV180	DV200 DV225S DV225M
3 2								
3.6	18000	112200	-	385				
4.3	18000	112200	-	325				
4.7	18000	112200	-	299				
5.5	18000	112200	-	253				
6.1	18000	112200	-	230				
6.6	18000	112200	-	213				
7.5	18000	112200	-	187				
8.9	18000	112200	-	157				
11	18000	106500	-	122				
13	18000	100700	-	107				



K167, n_e = 1400 1/min					32000 Nm					
n _a [1/min]	M _{amax} [Nm]	F _{Ra} [N]	φ (/R) [']	i	DV132ML DV160M DV160L	DV180	DV200 DV225S DV225M	DV250M DV280S D280M	D315S D315M	D315M_A D315M_B
8.5	32000	150000	4	164.50						
10	32000	150000	5	134.99						
13	32000	150000	5	109.83						
16	32000	147200	5	87.86						
18	32000	140100	5	78.14						
21	32000	132000	5	68.07						
23	32000	125600	5	60.74						
27	32000	117000	5	51.77						
33	32000	107400	5	42.89						
38	32000	99700	5	36.61						
43	32000	93700	5	32.25						
49	32000	88600	5	28.77						
57	32000	81700	5	24.52						
69	32000	74000	5	20.32						
81	32000	67900	5	17.34						

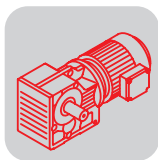
K167R97, n_e = 1400 1/min					32000 Nm							
n _a [1/min]	M _{amax} [Nm]	F _{Ra} [N]	φ (/R) [']	i	DT80	DT90	DV100	DV112	DV132S DV132M	DV132ML DV160M DV160L	DV180	DV200
3 3												
0.07	32000	150000	-	19723								
0.08	32000	150000	-	17406								
0.09	32000	150000	-	15000								
0.11	32000	150000	-	13238								
0.12	32000	150000	-	11573								
0.14	32000	150000	-	10264								
0.16	32000	150000	-	8628								
0.21	32000	150000	-	6562								
0.26	32000	150000	-	5355								
0.29	32000	150000	-	4788								
0.34	32000	150000	-	4079								
0.41	32000	150000	-	3376								
0.51	32000	150000	-	2755								
0.62	32000	150000	-	2263								
3 2												
0.64	32000	150000	-	2182								
0.82	32000	150000	-	1704								
0.99	32000	150000	-	1408								
1.1	32000	150000	-	1296								
1.3	32000	150000	-	1101								
1.5	32000	150000	-	944								
1.7	32000	150000	-	843								
1.8	32000	150000	-	757								
2.2	32000	150000	-	632								
2.5	32000	150000	-	561								
2.9	32000	150000	-	481								
3.3	32000	150000	-	423								
3.8	32000	150000	-	369								



K167R107, $n_e = 1400$ 1/min					32000 Nm					
n_a [1/min]	M_{amax} [Nm]	F_{Ra} [N]	φ (/R) [']	i	DV100	DV112	DV132S DV132M	DV132ML DV160M DV160L	DV180	DV200 DV225S DV225M
3 2										
4.4	32000	150000	-	318						
5.0	32000	150000	-	278						
5.7	32000	150000	-	244						
6.6	32000	150000	-	213						
6.8	32000	150000	-	206						
7.8	32000	150000	-	180						
8.8	32000	150000	-	160						
10	32000	150000	-	135						
12	32000	150000	-	118						

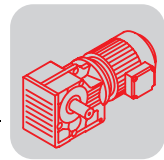
K187, $n_e = 1400$ 1/min					50000 Nm					
n_a [1/min]	M_{amax} [Nm]	F_{Ra} [N]	φ (/R) [']	i	DV132ML DV160M DV160L	DV180	DV200 DV225S DV225M	DV250M DV280S D280M	D315S D315M	D315M_A D315M_B
7.8	50000	189900	4	179.86						
8.5	50000	189900	4	165.21						
9.7	50000	189900	4	144.59						
11	50000	188200	4	129.69						
12	50000	177200	4	112.60						
14	50000	169900	4	102.16						
16	50000	159000	4	88.00						
19	50000	147000	4	73.96						
22	50000	137500	4	64.04						
26	50000	126100	4	53.36						
31	50000	116600	4	45.50*						
33	50000	112700	4	42.51						
36	50000	107200	4	38.57						
42	50000	99100	4	33.23						
50	50000	90200	4	27.92						
58	47600	86800	4	24.18						
69	43900	84000	4	20.15						
81	41400	80800	4	17.18						

K187R97, $n_e = 1400$ 1/min					50000 Nm							
n_a [1/min]	M_{amax} [Nm]	F_{Ra} [N]	φ (/R) [']	i	DT80	DT90	DV100	DV112	DV132S DV132M	DV132ML DV160M DV160L	DV180	DV200
3 3												
0.04	50000	189900	-	32625								
0.05	50000	189900	-	27165								
0.06	50000	189900	-	24353								
0.07	50000	189900	-	19144								
0.08	50000	189900	-	16978								
0.10	50000	189900	-	14272								
0.11	50000	189900	-	13116								
0.12	50000	189900	-	11647								
0.13	50000	189900	-	10413								
0.15	50000	189900	-	9363								
0.17	50000	189900	-	8126								
0.19	50000	189900	-	7343								
0.21	50000	189900	-	6747								
0.23	50000	189900	-	5991								
0.26	50000	189900	-	5358								
0.29	50000	189900	-	4817								
0.32	50000	189900	-	4370								
0.50	50000	189900	-	2818								





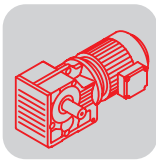
K187R97, $n_e = 1400$ 1/min					50000 Nm								
n_a [1/min]	M_{amax} [Nm]	F_{Ra} [N]	φ (/R) [']	i	DT80	DT90	DV100	DV112	DV132S DV132M	DV132ML DV160M DV160L	DV180	DV200	
3 2													
0.39	50000	189900	-	3609									
0.46	50000	189900	-	3062									
0.56	50000	189900	-	2519									
0.62	50000	189900	-	2268									
0.68	50000	189900	-	2054									
0.77	50000	189900	-	1821									
0.87	50000	189900	-	1605									
1.0	50000	189900	-	1395									
1.2	50000	189900	-	1196									
1.3	50000	189900	-	1046									
1.5	50000	189900	-	945									
1.9	50000	189900	-	738									
2.3	50000	189900	-	621									
2.7	50000	189900	-	527									

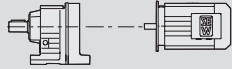

K187R107, $n_e = 1400$ 1/min					50000 Nm						
n_a [1/min]	M_{amax} [Nm]	F_{Ra} [N]	φ (/R) [']	i	DV100	DV112	DV132S DV132M	DV132ML DV160M DV160L	DV180	DV200 DV225S DV225M	
3 2											
1.7	50000	189900	-	835							
1.9	50000	189900	-	729							
2.3	50000	189900	-	622							
2.7	50000	189900	-	520							
3.1	50000	189900	-	454							
3.9	50000	189900	-	355							
5.4	50000	189900	-	261							
6.3	50000	189900	-	221							
7.3	50000	189900	-	193							
8.6	50000	189900	-	163							

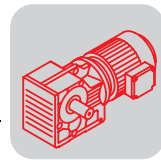


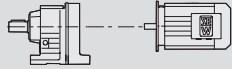

10.3 K..D.. [kW]

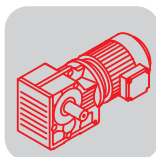
P_m [kW]	n_a [1/min]	M_a [Nm]	i	$F_{Ra}^{1)}$ [N]	SEW f_B		m [kg]		
0.12	0.08	10900	17550	80300	1.20				
	0.09	9900	16006	80700	1.30				
	0.09	9260	14975	81000	1.40	K	127 R77	DR 63S4	470 490
	0.11	7690	12440	81600	1.70	KF	127 R77	DR 63S4	510 490
	0.13	6750	10915	81900	1.95	KA	127 R77	DR 63S4	440 490
	0.14	6070	9819	82000	2.1	KAF	127 R77	DR 63S4	480 490
	0.16	5190	8443	82300	2.5				
	0.18	4630	7482	82400	2.8				
	0.10	8850	14311	65000	0.90				
	0.11	7550	12211	65000	1.05				
	0.13	6600	10677	65000	1.20				
	0.14	5890	9524	65000	1.35	K	107 R77	DR 63S4	310 490
	0.17	5150	8328	65000	1.55	KF	107 R77	DR 63S4	320 490
	0.19	4500	7270	65000	1.80	KA	107 R77	DR 63S4	280 490
	0.22	3710	6184	65000	2.2	KAF	107 R77	DR 63S4	305 490
	0.24	3220	5662	65000	2.5				
	0.27	2920	5138	65000	2.7				
	0.32	2680	4359	65000	3.0				
0.17	5460	8054	39400	0.80					
0.20	4430	6970	40000	0.95					
0.23	4000	6027	40000	1.05					
0.26	3660	5391	40000	1.20	K	97 R57	DR 63S4	180 490	
0.30	3020	4669	40000	1.40	KF	97 R57	DR 63S4	200 490	
0.34	2740	4082	40000	1.55	KA	97 R57	DR 63S4	160 490	
0.39	2380	3583	40000	1.80	KAF	97 R57	DR 63S4	185 490	
0.44	2100	3108	40000	2.1					
0.50	1770	2757	40000	2.4					
0.57	1650	2419	40000	2.6					
0.65	1430	2123	40000	3.0					
0.74	1270	1856	40000	3.4	K	97 R57	DR 63S4	180 490	
0.85	1050	1625	40000	4.1	KF	97 R57	DR 63S4	200 490	
0.96	890	1430	40000	4.8	KA	97 R57	DR 63S4	160 490	
1.1	870	1261	40000	5.0	KAF	97 R57	DR 63S4	185 490	
1.2	755	1102	40000	5.7					
0.26	3480	5240	26200	0.80					
0.30	2900	4562	27000	0.95					
0.34	2680	4037	27300	1.00	K	87 R57	DR 63S4	120 490	
0.38	2400	3609	27600	1.15	KF	87 R57	DR 63S4	130 490	
0.44	2070	3107	28000	1.30	KA	87 R57	DR 63S4	105 490	
0.51	1730	2728	28300	1.55	KAF	87 R57	DR 63S4	120 490	
0.58	1530	2371	28400	1.75					
0.66	1430	2088	28500	1.90					
0.74	1270	1854	28600	2.1					
0.83	1140	1657	28700	2.4					
0.97	970	1415	28800	2.8	K	87 R57	DR 63S4	120 490	
1.1	840	1229	28900	3.2	KF	87 R57	DR 63S4	125 490	
1.3	725	1078	28900	3.7	KA	87 R57	DR 63S4	105 490	
1.4	610	951	29000	4.4	KAF	87 R57	DR 63S4	120 490	
1.7	525	837	29000	5.2					
1.9	455	726	29000	5.9					
0.51	1840	2717	11500	0.85	K	77 R37	DR 63S4	69 490	
0.58	1530	2370	15500	1.00	KF	77 R37	DR 63S4	78 490	
					KA	77 R37	DR 63S4	62 490	
					KAF	77 R37	DR 63S4	70 490	
0.67	1440	2050	16100	1.10					
0.78	1230	1772	17300	1.25					
0.91	1050	1514	18100	1.50					
0.99	960	1388	18500	1.60	K	77 R37	DR 63S4	69 490	
1.1	840	1218	18900	1.85	KF	77 R37	DR 63S4	77 490	
1.3	740	1053	19200	2.1	KA	77 R37	DR 63S4	62 490	
1.5	645	924	19400	2.4	KAF	77 R37	DR 63S4	70 490	
1.7	570	815	19600	2.7					
1.9	450	709	19800	3.5					
2.2	395	622	19900	3.9					



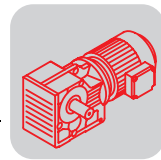
P_m [kW]	n_a [1/min]	M_a [Nm]	i	$F_{Ra}^{1)}$ [N]	SEW f_B		m [kg]				
0.12	1.0	960	1351	6940	0.85						
	1.2	830	1171	10300	1.00						
	1.3	725	1034	11100	1.15						
	1.5	605	903	11900	1.35						
	1.7	570	793	12100	1.45						
	2.0	455	697	12600	1.80						
	2.2	400	613	12800	2.0	K	67 R37	DR	63S4	45	490
	2.6	350	542	13000	2.3	KF	67 R37	DR	63S4	51	490
	2.9	330	471	13000	2.5	KA	67 R37	DR	63S4	42	490
	3.3	270	420	13000	3.0	KAF	67 R37	DR	63S4	48	490
	3.8	250	361	13000	3.3						
	4.3	220	323	13000	3.8						
	5.0	181	279	13000	4.5						
	5.6	159	246	13000	5.2						
	6.4	139	217	13000	5.9						
	1.5	605	906	7590	1.00						
	1.7	545	806	8060	1.10						
	2.0	455	699	8630	1.30						
	2.2	400	615	8870	1.50						
	2.5	350	544	9080	1.70						
2.9	325	473	9190	1.85	K	57 R37	DR	63S4	39	490	
3.3	275	421	9390	2.2	KF	57 R37	DR	63S4	44	490	
3.8	250	362	9470	2.4	KA	57 R37	DR	63S4	37	490	
4.3	220	319	9570	2.8	KAF	57 R37	DR	63S4	43	490	
4.9	181	280	9690	3.3							
5.6	160	246	9760	3.8							
6.4	141	215	9810	4.3							
7.2	126	192	9850	4.8							
2.5	380	552	6170	1.05							
2.8	325	495	6840	1.25	K	47 R37	DR	63S4	33	490	
3.2	290	426	7160	1.40	KF	47 R37	DR	63S4	36	490	
3.7	245	375	7510	1.65	KA	47 R37	DR	63S4	32	490	
4.2	225	327	7620	1.75	KAF	47 R37	DR	63S4	35	490	
4.8	198	289	7780	2.0							
4.0	245	346	3540	0.80							
4.5	205	304	5570	0.95							
5.2	189	267	5760	1.05	K	37 R17	DR	63S4	19	490	
5.9	163	234	6010	1.20	KF	37 R17	DR	63S4	21	490	
6.7	143	205	6180	1.40	KA	37 R17	DR	63S4	19	490	
7.6	124	181	6300	1.60	KAF	37 R17	DR	63S4	20	490	
8.6	109	160	6400	1.85							
10	91	136	6490	2.2							
6.2	184	144.79*	13000	4.5	K	67	DR	63M6	34	454	
					KF	67	DR	63M6	40	455	
					KA	67	DR	63M6	32	456	
					KAF	67	DR	63M6	37	455	
6.2	185	145.14*	9680	3.3							
7.3	158	123.85	9760	3.8	K	57	DR	63M6	28	449	
8.3	138	108.29	9820	4.4	KF	57	DR	63M6	33	450	
8.8	131	102.88*	9840	4.6	KA	57	DR	63M6	26	451	
10	115	90.26*	9880	5.2	KAF	57	DR	63M6	32	450	
12	98	76.56*	9930	6.2							
9.5	121	145.14*	9870	5.0	K	57	DR	63S4	28	449	
11	103	123.85	9920	5.8	KF	57	DR	63S4	33	450	
13	90	108.29	9950	6.7	KA	57	DR	63S4	26	451	
13	85	102.88*	9960	7.0	KAF	57	DR	63S4	32	450	
15	75	90.26*	9990	8.0							
6.8	168	131.87*	7930	2.4	K	47	DR	63M6	22	444	
7.4	155	121.48*	7990	2.6	KF	47	DR	63M6	26	445	
8.6	133	104.37	8070	3.0	KA	47	DR	63M6	22	446	
					KAF	47	DR	63M6	25	445	
10	110	131.87*	8140	3.7	K	47	DR	63S4	22	444	
11	101	121.48*	8170	4.0	KF	47	DR	63S4	26	445	
					KA	47	DR	63S4	22	446	
					KAF	47	DR	63S4	25	445	



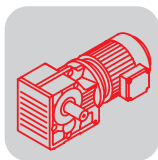
P_m [kW]	n_a [1/min]	M_a [Nm]	i	$F_{Ra}^{1)}$ [N]	SEW f_B					m [kg]	
0.12	8.5	136	106.38	6230	1.50	K	37	DR	63M6	16	439
	9.2	125	97.81	6300	1.60	KF	37	DR	63M6	18	440
	11	107	83.69	6410	1.90	KA	37	DR	63M6	16	441
	12	92	72.54	6480	2.2	KAF	37	DR	63M6	18	440
	13	88	106.38	6500	2.3						
	14	81	97.81	6530	2.5						
	16	70	83.69	6570	2.9						
	19	60	72.54	6600	3.3						
	20	56	67.80	6610	3.6						
	24	49	58.60	6430	4.1						
	28	41	49.79	6130	4.8						
	31	37	44.46	5930	5.4						
	36	32	37.97	5660	6.4	K	37	DR	63S4	16	439
	39	30	35.57	5550	6.8	KF	37	DR	63S4	18	440
	46	25	29.96	5270	8.0	KA	37	DR	63S4	16	441
	48	24	28.83	5210	8.4	KAF	37	DR	63S4	18	440
	55	21	24.99	4980	9.6						
	59	19	23.36	4880	10						
	68	17	20.19	4660	11						
	80	14	17.15	4430	13						
90	13	15.31	4280	14							
105	11	13.08	4070	15							
114	10	12.14	3970	16							
0.18	0.09	15800	14975	74400	0.80						
	0.11	13100	12440	79100	1.00						
	0.12	11500	10915	80000	1.15						
	0.13	10300	9819	80500	1.25						
	0.16	8870	8443	81100	1.45	K	127 R77	DR	63M4	470	490
	0.18	7880	7482	81500	1.65	KF	127 R77	DR	63M4	510	490
	0.20	6920	6565	81800	1.90	KA	127 R77	DR	63M4	440	490
	0.23	5890	5804	82100	2.2	KAF	127 R77	DR	63M4	480	490
	0.26	5210	5027	82300	2.5						
	0.30	4490	4423	82400	2.9						
	0.34	3910	3889	82500	3.3						
	0.40	3250	3311	82600	4.0						
	0.16	8780	8328	65000	0.90						
	0.18	7660	7270	65000	1.05						
	0.21	6410	6184	65000	1.25						
	0.23	5690	5662	65000	1.40	K	107 R77	DR	63M4	310	490
	0.26	5160	5138	65000	1.55	KF	107 R77	DR	63M4	320	490
	0.30	4580	4359	65000	1.75	KA	107 R77	DR	63M4	280	490
	0.35	4010	3810	65000	2.0	KAF	107 R77	DR	63M4	305	490
	0.39	3410	3358	65000	2.4						
	0.44	3090	2977	65000	2.6						
	0.51	2690	2599	65000	3.0						
	0.58	2320	2286	65000	3.5						
	0.28	5060	4669	39800	0.85	K	97 R57	DR	63M4	180	490
	0.32	4540	4082	40000	0.95	KF	97 R57	DR	63M4	200	490
	0.37	3940	3583	40000	1.10	KA	97 R57	DR	63M4	160	490
	0.42	3450	3108	40000	1.25	KAF	97 R57	DR	63M4	185	490
	0.48	2990	2757	40000	1.45						
	0.55	2720	2419	40000	1.60						
	0.62	2360	2123	40000	1.80						
	0.71	2090	1856	40000	2.1						
	0.81	1760	1625	40000	2.4	K	97 R57	DR	63M4	180	490
	0.92	1530	1430	40000	2.8	KF	97 R57	DR	63M4	200	490
1.1	1420	1261	40000	3.0	KA	97 R57	DR	63M4	160	490	
1.2	1240	1102	40000	3.5	KAF	97 R57	DR	63M4	185	490	
1.4	1090	957	40000	4.0							
1.5	970	855	40000	4.4							
1.8	775	743	40000	5.6							
2.0	690	652	40000	6.2							
0.42	3440	3107	26200	0.80	K	87 R57	DR	63M4	120	490	
0.48	2920	2728	27000	0.90	KF	87 R57	DR	63M4	130	490	
0.56	2570	2371	27500	1.05	KA	87 R57	DR	63M4	105	490	
					KAF	87 R57	DR	63M4	120	490	


K..DR/DT/DV
K..D.. [kW]

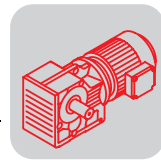
P_m [kW]	n_a [1/min]	M_a [Nm]	i	$F_{Ra}^{1)}$ [N]	SEW f_B					m [kg]	
0.18	0.63	2350	2088	27700	1.15						
	0.71	2090	1854	28000	1.30						
	0.80	1870	1657	28200	1.45						
	0.93	1590	1415	28400	1.70	K	87 R57	DR	63M4	120	490
	1.1	1380	1229	28600	1.95	KF	87 R57	DR	63M4	125	490
	1.2	1200	1078	28700	2.3	KA	87 R57	DR	63M4	105	490
	1.4	1030	951	28800	2.6	KAF	87 R57	DR	63M4	120	490
	1.6	890	837	28800	3.0						
	1.8	775	726	28900	3.5						
	0.87	1720	1514	14100	0.90						
	0.95	1570	1388	15200	1.00						
	1.1	1380	1218	16500	1.10						
	1.2	1200	1053	17400	1.30						
	1.4	1050	924	18100	1.45	K	77 R37	DR	63M4	69	490
	1.6	930	815	18600	1.65	KF	77 R37	DR	63M4	77	490
	1.9	760	709	19100	2.0	KA	77 R37	DR	63M4	62	490
	2.1	670	622	19300	2.3	KAF	77 R37	DR	63M4	70	490
	2.4	600	552	19500	2.6						
	2.7	530	485	19600	2.9						
	3.1	465	428	19800	3.3						
3.6	410	367	19800	3.8							
1.7	930	793	9240	0.90							
1.9	765	697	10800	1.05							
2.1	670	613	11500	1.20							
2.4	590	542	12000	1.40	K	67 R37	DR	63M4	45	490	
2.8	540	471	12200	1.50	KF	67 R37	DR	63M4	51	490	
3.1	455	420	12600	1.80	KA	67 R37	DR	63M4	42	490	
3.6	410	361	12800	2.0	KAF	67 R37	DR	63M4	48	490	
4.1	360	323	12900	2.3							
4.7	305	279	13000	2.7							
2.4	590	544	7690	1.00							
2.8	535	473	8150	1.10							
3.1	460	421	8620	1.30							
3.6	410	362	8840	1.45	K	57 R37	DR	63M4	39	490	
4.1	360	319	9050	1.65	KF	57 R37	DR	63M4	44	490	
4.7	305	280	9270	1.95	KA	57 R37	DR	63M4	37	490	
5.4	270	246	9400	2.2	KAF	57 R37	DR	63M4	43	490	
6.1	235	215	9510	2.5							
6.9	210	192	9600	2.9							
7.9	182	166	9690	3.3							
3.5	410	375	5600	1.00							
4.0	370	327	6320	1.10							
4.6	325	289	6810	1.20	K	47 R37	DR	63M4	33	490	
5.2	280	256	7240	1.45	KF	47 R37	DR	63M4	36	490	
5.9	250	225	7450	1.60	KA	47 R37	DR	63M4	32	490	
6.7	215	198	7680	1.85	KAF	47 R37	DR	63M4	35	490	
7.7	188	171	7840	2.1							
8.6	168	153	7930	2.4							
10	147	131	8020	2.7							
6.4	235	205	4860	0.85	K	37 R17	DR	63M4	19	490	
7.3	205	181	5590	1.00	KF	37 R17	DR	63M4	21	490	
8.2	180	160	5860	1.10	KA	37 R17	DR	63M4	19	490	
9.7	151	136	6110	1.35	KAF	37 R17	DR	63M4	20	490	
10	145	127	6160	1.40							
6.0	285	144.79*	13000	2.9	K	67	DR	63L6	35	454	
7.0	245	123.54	13000	3.4	KF	67	DR	63L6	40	455	
8.1	215	108.03	13000	3.8	KA	67	DR	63L6	32	456	
8.5	205	102.62	13000	4.0	KAF	67	DR	63L6	38	455	
9.1	189	144.79*	13000	4.4	K	67	DR	63M4	34	454	
11	161	123.54	13000	5.1	KF	67	DR	63M4	40	455	
12	141	108.03	13000	5.8	KA	67	DR	63M4	32	456	
					KAF	67	DR	63M4	37	455	
6.0	285	145.14*	9340	2.1	K	57	DR	63L6	29	449	
7.0	245	123.85	9480	2.5	KF	57	DR	63L6	34	450	
8.0	215	108.29	9590	2.8	KA	57	DR	63L6	27	451	
8.5	205	102.88*	9620	3.0	KAF	57	DR	63L6	33	450	
9.6	178	90.26*	9700	3.4							



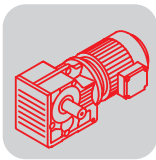
P_m [kW]	n_a [1/min]	M_a [Nm]	i	$F_{Ra}^{1)}$ [N]	SEW f_B					m [kg]		
0.18	9.1	189	145.14*	9670	3.2							
	11	161	123.85	9750	3.7	K	57	DR	63M4	28	449	
	12	141	108.29	9810	4.3	KF	57	DR	63M4	33	450	
	13	134	102.88*	9830	4.5	KA	57	DR	63M4	26	451	
	15	118	90.26*	9880	5.1	KAF	57	DR	63M4	32	450	
	17	100	76.56*	9920	6.0							
	6.6	260	131.87*	7380	1.55	K	47	DR	63L6	23	444	
	7.2	240	121.48*	7530	1.65	KF	47	DR	63L6	26	445	
	8.3	205	104.37	7740	1.95	KA	47	DR	63L6	22	446	
	9.6	180	90.86	7880	2.2	KAF	47	DR	63L6	25	445	
	10	168	85.12*	7930	2.4							
	10	172	131.87*	7910	2.3	K	47	DR	63M4	22	444	
	11	158	121.48*	7970	2.5	KF	47	DR	63M4	26	445	
	13	136	104.37	8060	2.9	KA	47	DR	63M4	22	446	
	15	118	90.86	8120	3.4	KAF	47	DR	63M4	25	445	
	16	111	85.12*	8140	3.6							
	8.2	210	106.38	5520	0.95	K	37	DR	63L6	17	439	
	8.9	193	97.81	5710	1.05	KF	37	DR	63L6	19	440	
	10	165	83.69	5990	1.20	KA	37	DR	63L6	17	441	
	12	143	72.54	6170	1.40	KAF	37	DR	63L6	18	440	
	12	139	106.38	6210	1.45							
	14	127	97.81	6280	1.55							
	16	109	83.69	6400	1.85							
	18	95	72.54	6470	2.1							
	19	88	67.80	6500	2.3							
	23	76	58.60	6280	2.6							
	27	65	49.79	6010	3.1							
	30	58	44.46	5830	3.5							
	35	49	37.97	5580	4.1							
	37	46	35.57	5480	4.3	K	37	DR	63M4	16	439	
	44	39	29.96	5220	5.1	KF	37	DR	63M4	18	440	
	46	38	28.83	5160	5.3	KA	37	DR	63M4	16	441	
	53	33	24.99	4950	6.2	KAF	37	DR	63M4	18	440	
	57	30	23.36	4850	6.4							
	65	26	20.19	4650	7.0							
	77	22	17.15	4430	8.1							
	86	20	15.31	4280	8.8							
	101	17	13.08	4080	9.7							
	109	16	12.14	3980	10							
	126	14	10.49	3810	12							
	148	12	8.91	3620	14							
	166	10	7.96	3490	15							
	0.25	0.13	15200	9819	75600	0.85						
		0.15	13000	8443	79200	1.00						
		0.17	11600	7482	79900	1.10						
0.20		10200	6565	80600	1.30	K	127 R77	DR	63L4	470	490	
0.22		8750	5804	81200	1.50	KF	127 R77	DR	63L4	510	490	
0.26		7690	5027	81600	1.70	KA	127 R77	DR	63L4	440	490	
0.29		6670	4423	81900	1.95	KAF	127 R77	DR	63L4	480	490	
0.33		5830	3889	82100	2.2							
0.39		4880	3311	82300	2.7							
0.21		9460	6184	65000	0.85							
0.23		8480	5662	65000	0.95							
0.25		7700	5138	65000	1.05							
0.30		6730	4359	65000	1.20	K	107 R77	DR	63L4	310	490	
0.34		5880	3810	65000	1.35	KF	107 R77	DR	63L4	320	490	
0.39		5060	3358	65000	1.60	KA	107 R77	DR	63L4	285	490	
0.44		4550	2977	65000	1.75	KAF	107 R77	DR	63L4	305	490	
0.50		3980	2599	65000	2.0							
0.57		3450	2286	65000	2.3							
0.67		2920	1939	65000	2.7							
0.76		2680	1713	65000	3.0	K	107 R77	DR	63L4	310	490	
0.84		2430	1554	65000	3.3	KF	107 R77	DR	63L4	320	490	
0.97		2090	1336	65000	3.8	KA	107 R77	DR	63L4	280	490	
						KAF	107 R77	DR	63L4	305	490	




K..DR/DT/DV
K..D.. [kW]

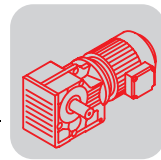
P_m [kW]	n_a [1/min]	M_a [Nm]	i	$F_{Ra}^{1)}$ [N]	SEW f_B					m [kg]	
0.25	0.42	4990	3108	39900	0.85	K	97 R57	DR	63L4	180	490
	0.47	4360	2757	40000	1.00	KF	97 R57	DR	63L4	200	490
						KA	97 R57	DR	63L4	160	490
						KAF	97 R57	DR	63L4	185	490
	0.54	3930	2419	40000	1.10						
	0.61	3420	2123	40000	1.25						
	0.70	3020	1856	40000	1.40						
	0.80	2580	1625	40000	1.65	K	97 R57	DR	63L4	180	490
	0.91	2240	1430	40000	1.90	KF	97 R57	DR	63L4	200	490
	1.0	2050	1261	40000	2.1	KA	97 R57	DR	63L4	160	490
	1.2	1790	1102	40000	2.4	KAF	97 R57	DR	63L4	185	490
	1.4	1570	957	40000	2.7						
	1.5	1400	855	40000	3.1						
	0.62	3390	2088	26300	0.80						
	0.70	3010	1854	26900	0.90						
	0.78	2700	1657	27300	1.00						
	0.92	2300	1415	27800	1.15	K	87 R57	DR	63L4	120	490
	1.1	2000	1229	28100	1.35	KF	87 R57	DR	63L4	125	490
	1.2	1740	1078	28300	1.55	KA	87 R57	DR	63L4	105	490
1.4	1510	951	28500	1.80	KAF	87 R57	DR	63L4	120	490	
1.6	1310	837	28600	2.1							
1.8	1140	726	28700	2.4							
2.0	1010	638	28800	2.7							
1.2	1730	1053	14000	0.90							
1.4	1520	924	15600	1.00							
1.6	1340	815	16700	1.15							
1.8	1120	709	17800	1.40							
2.1	980	622	18400	1.60							
2.4	880	552	18700	1.75							
2.7	770	485	19100	2.0	K	77 R37	DR	63L4	70	490	
3.0	680	428	19300	2.3	KF	77 R37	DR	63L4	78	490	
3.5	595	367	19500	2.6	KA	77 R37	DR	63L4	62	490	
4.0	525	328	19600	2.9	KAF	77 R37	DR	63L4	70	490	
4.5	470	290	19700	3.3							
5.2	400	252	19900	3.9							
5.9	355	221	19900	4.4							
6.7	310	195	20000	5.0							
7.5	275	175	20000	5.7							
2.1	980	613	5690	0.85							
2.4	860	542	9920	0.95							
2.8	775	471	10700	1.05							
3.1	665	420	11500	1.25	K	67 R37	DR	63L4	46	490	
3.6	590	361	11900	1.40	KF	67 R37	DR	63L4	51	490	
4.0	525	323	12300	1.55	KA	67 R37	DR	63L4	43	490	
4.7	445	279	12700	1.85	KAF	67 R37	DR	63L4	49	490	
5.3	390	246	12800	2.1							
6.0	345	217	13000	2.4							
3.1	670	421	4200	0.90							
3.6	590	362	7690	1.00							
4.1	520	319	8260	1.15							
4.7	445	280	8680	1.35							
5.3	390	246	8920	1.55	K	57 R37	DR	63L4	40	490	
6.0	345	215	9110	1.75	KF	57 R37	DR	63L4	45	490	
6.8	305	192	9260	1.95	KA	57 R37	DR	63L4	38	490	
7.8	265	166	9410	2.3	KAF	57 R37	DR	63L4	43	490	
9.0	230	145	9530	2.6							
10	210	129	9600	2.9							
12	178	111	9700	3.4							
13	156	97	9770	3.8							
4.4	540	154.02	19600	2.9	K	77	DT	80N8	65	459	
5.0	475	135.28	19700	3.3	KF	77	DT	80N8	73	460	
5.3	450	128.52	19800	3.4	KA	77	DT	80N8	58	461	
6.0	400	113.56	19900	3.9	KAF	77	DT	80N8	66	460	
4.6	520	192.18	19700	2.8	K	77	DT	71D6	61	459	
4.9	485	179.37	19700	3.0	KF	77	DT	71D6	69	460	
5.7	420	154.02	19800	3.7	KA	77	DT	71D6	54	461	
6.5	365	135.28	19900	4.2	KAF	77	DT	71D6	62	460	





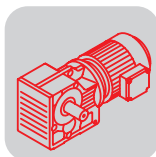
P_m [kW]	n_a [1/min]	M_a [Nm]	i	$F_{Ra}^{1)}$ [N]	SEW f_B					m [kg]	
0.25	5.5	435	123.54	12700	1.90	K	67	DT	80N8	39	454
	6.3	380	108.03	12900	2.2	KF	67	DT	80N8	45	455
	6.6	360	102.62	12900	2.3	KA	67	DT	80N8	37	456
	7.5	315	90.04	13000	2.6	KAF	67	DT	80N8	42	455
	6.1	395	144.79*	12800	2.1	K	67	DT	71D6	36	454
	7.1	335	123.54	13000	2.5	KF	67	DT	71D6	42	455
	8.2	295	108.03	13000	2.8	KA	67	DT	71D6	34	456
	8.6	280	102.62	13000	3.0	KAF	67	DT	71D6	39	455
	9.0	265	144.79*	13000	3.1	K	67	DR	63L4	35	454
	11	225	123.54	13000	3.6	KF	67	DR	63L4	40	455
	12	198	108.03	13000	4.1	KA	67	DR	63L4	32	456
	13	189	102.62	13000	4.4	KAF	67	DR	63L4	38	455
	6.1	395	145.14*	8910	1.50						
	7.1	335	123.85	9150	1.80	K	57	DT	71D6	30	449
	8.1	295	108.29	9310	2.0	KF	57	DT	71D6	35	450
	8.6	280	102.88*	9360	2.2	KA	57	DT	71D6	28	451
	9.8	245	90.26*	9480	2.5	KAF	57	DT	71D6	34	450
	11	210	76.56*	9610	2.9						
	9.0	265	145.14*	9410	2.3						
	11	225	123.85	9540	2.6	K	57	DR	63L4	29	449
	12	199	108.29	9640	3.0	KF	57	DR	63L4	34	450
	13	189	102.88*	9670	3.2	KA	57	DR	63L4	27	451
	14	166	90.26*	9740	3.6	KAF	57	DR	63L4	33	450
	17	141	76.56*	9810	4.3						
	6.7	360	131.87*	6470	1.10						
	7.2	330	121.48*	6780	1.20	K	47	DT	71D6	25	444
	8.4	285	104.37	7210	1.40	KF	47	DT	71D6	28	445
	9.7	245	90.86	7480	1.60	KA	47	DT	71D6	24	446
	10	230	85.12*	7590	1.75	KAF	47	DT	71D6	27	445
	9.9	240	131.87*	7510	1.65						
	11	225	121.48*	7640	1.80	K	47	DR	63L4	23	444
	12	192	104.37	7820	2.1	KF	47	DR	63L4	26	445
	14	167	90.86	7930	2.4	KA	47	DR	63L4	22	446
	15	156	85.12*	7980	2.6	KAF	47	DR	63L4	25	445
	11	225	83.69	5300	0.90						
	12	197	72.54	5680	1.00	K	37	DT	71D6	18	439
	13	184	67.80	5810	1.10	KF	37	DT	71D6	20	440
	15	159	58.60	6050	1.25	KA	37	DT	71D6	17	441
	18	135	49.79	6230	1.50	KAF	37	DT	71D6	19	440
	12	195	106.38	5690	1.00						
	13	180	97.81	5860	1.10						
	16	154	83.69	6090	1.30						
	18	133	72.54	6250	1.50						
	19	125	67.80	6230	1.60						
	22	108	58.60	6030	1.85						
	26	91	49.79	5810	2.2						
	29	82	44.46	5650	2.5						
	34	70	37.97	5430	2.9						
37	65	35.57	5340	3.1							
43	55	29.96	5100	3.6	K	37	DR	63L4	17	439	
45	53	28.83	5050	3.8	KF	37	DR	63L4	19	440	
52	46	24.99	4860	4.4	KA	37	DR	63L4	17	441	
56	43	23.36	4770	4.6	KAF	37	DR	63L4	18	440	
64	37	20.19	4580	5.0							
76	32	17.15	4370	5.7							
85	28	15.31	4230	6.2							
99	24	13.08	4030	6.9							
107	22	12.14	3940	7.2							
124	19	10.49	3780	8.3							
146	16	8.91	3590	9.8							
163	15	7.96	3470	11							
191	13	6.80	3310	12							
204	12	6.37	3240	12							

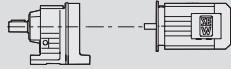



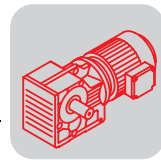
P_m [kW]	n_a [1/min]	M_a [Nm]	i	$F_{Ra}^{1)}$ [N]	SEW f_B					m [kg]	
0.37	0.18	16600	7482	72700	0.80						
	0.21	14500	6565	76900	0.90	K	127 R77	DT	71D4	470	490
	0.24	12600	5804	79400	1.05	KF	127 R77	DT	71D4	510	490
	0.27	11000	5027	80200	1.20	KA	127 R77	DT	71D4	445	490
	0.31	9610	4423	80800	1.35	KAF	127 R77	DT	71D4	480	490
	0.35	8420	3889	81300	1.55						
	0.42	7080	3311	81800	1.85						
	0.72	4280	1926	82400	3.0	K	127 R77	DT	71D4	470	490
	0.79	3900	1757	82500	3.3	KF	127 R77	DT	71D4	510	490
	0.90	3390	1541	82600	3.8	KA	127 R77	DT	71D4	440	490
						KAF	127 R77	DT	71D4	480	490
	0.36	8420	3810	65000	0.95						
	0.41	7300	3358	65000	1.10	K	107 R77	DT	71D4	310	490
	0.46	6540	2977	65000	1.20	KF	107 R77	DT	71D4	325	490
	0.53	5710	2599	65000	1.40	KA	107 R77	DT	71D4	285	490
	0.60	4970	2286	65000	1.60	KAF	107 R77	DT	71D4	305	490
	0.71	4210	1939	65000	1.90						
	0.81	3830	1713	65000	2.1	K	107 R77	DT	71D4	310	490
	0.89	3480	1554	65000	2.3	KF	107 R77	DT	71D4	320	490
	1.0	2990	1336	65000	2.7	KA	107 R77	DT	71D4	280	490
	1.2	2610	1166	65000	3.1	KAF	107 R77	DT	71D4	305	490
0.65	4860	2123	40000	0.90							
0.74	4270	1856	40000	1.00							
0.85	3670	1625	40000	1.15							
0.96	3200	1430	40000	1.35							
1.1	2900	1261	40000	1.50	K	97 R57	DT	71D4	180	490	
1.2	2540	1102	40000	1.70	KF	97 R57	DT	71D4	200	490	
1.4	2220	957	40000	1.95	KA	97 R57	DT	71D4	160	490	
1.6	1990	855	40000	2.2	KAF	97 R57	DT	71D4	185	490	
1.9	1640	743	40000	2.6							
2.1	1450	652	40000	3.0							
2.4	1310	573	40000	3.3							
0.97	3250	1415	26500	0.85							
1.1	2820	1229	27100	0.95							
1.3	2470	1078	27600	1.10							
1.4	2150	951	27900	1.25							
1.7	1880	837	28200	1.45	K	87 R57	DT	71D4	120	490	
1.9	1630	726	28400	1.65	KF	87 R57	DT	71D4	130	490	
2.2	1440	638	28500	1.85	KA	87 R57	DT	71D4	110	490	
2.5	1260	562	28600	2.2	KAF	87 R57	DT	71D4	120	490	
2.9	1060	474	28800	2.6							
3.2	950	426	28800	2.8							
3.7	830	373	28900	3.2							
1.7	1890	815	7450	0.80							
1.9	1590	709	15100	0.95							
2.2	1400	622	16400	1.10							
2.5	1250	552	17200	1.25							
2.9	1100	485	17900	1.40							
3.2	970	428	18400	1.60	K	77 R37	DT	71D4	71	490	
3.8	840	367	18900	1.85	KF	77 R37	DT	71D4	79	490	
4.2	750	328	19100	2.1	KA	77 R37	DT	71D4	63	490	
4.8	665	290	19400	2.3	KAF	77 R37	DT	71D4	71	490	
5.5	570	252	19600	2.7							
6.2	500	221	19700	3.1							
7.1	445	195	19800	3.5							
7.9	390	175	19900	4.0							
9.0	345	154	19900	4.5							
3.3	950	420	8130	0.85							
3.8	840	361	10200	1.00							
4.3	745	323	10900	1.10							
5.0	630	279	11700	1.30	K	67 R37	DT	71D4	47	490	
5.6	555	246	12100	1.50	KF	67 R37	DT	71D4	52	490	
6.4	495	217	12400	1.65	KA	67 R37	DT	71D4	44	490	
7.2	435	191	12700	1.90	KAF	67 R37	DT	71D4	50	490	
8.3	375	166	12900	2.2							
9.6	330	144	13000	2.5							
11	280	122	13000	2.9							

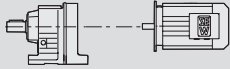



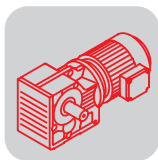
P _m [kW]	n _a [1/min]	M _a [Nm]	i	F _{Ra} ¹⁾ [N]	SEW f _B					m [kg]	
0.37	4.9	635	280	7350	0.95						
	5.6	555	246	7980	1.10						
	6.4	490	215	8460	1.20						
	7.2	435	192	8720	1.40	K	57 R37	DT	71D4	41	490
	8.3	380	166	8980	1.60	KF	57 R37	DT	71D4	45	490
	9.6	330	145	9170	1.80	KA	57 R37	DT	71D4	39	490
	11	300	129	9290	2.0	KAF	57 R37	DT	71D4	44	490
	12	255	111	9460	2.4						
	14	225	97	9560	2.7						
	3.9	910	174.19	28800	3.0	K	87	DT	90S8	105	464
	4.1	850	164.34*	28900	3.2	KF	87	DT	90S8	115	465
	4.6	765	147.32*	28900	3.5	KA	87	DT	90S8	94	466
						KAF	87	DT	90S8	105	465
	4.6	775	197.37	28900	3.5	K	87	DT	80K6	99	464
	5.2	685	174.19	28900	4.0	KF	87	DT	80K6	110	465
						KA	87	DT	80K6	87	466
						KAF	87	DT	80K6	100	465
	5.0	705	135.28	19300	2.2	K	77	DT	90S8	70	459
	5.3	670	128.52	19300	2.3	KF	77	DT	90S8	78	460
	6.0	590	113.56	19500	2.6	KA	77	DT	90S8	63	461
7.0	505	97.05	19700	3.1	KAF	77	DT	90S8	71	460	
5.8	605	154.02	19500	2.6	K	77	DT	80K6	63	459	
6.7	530	135.28	19600	2.9	KF	77	DT	80K6	71	460	
7.0	505	128.52	19700	3.1	KA	77	DT	80K6	56	461	
7.9	445	113.56	19800	3.5	KAF	77	DT	80K6	64	460	
7.2	490	192.18	19700	3.0	K	77	DT	71D4	61	459	
7.7	460	179.37	19800	3.2	KF	77	DT	71D4	69	460	
9.0	395	154.02	19900	3.9	KA	77	DT	71D4	54	461	
					KAF	77	DT	71D4	62	460	
6.3	560	108.03	12100	1.45	K	67	DT	90S8	44	454	
6.6	535	102.62	12300	1.55	KF	67	DT	90S8	50	455	
7.5	470	90.04	12600	1.75	KA	67	DT	90S8	42	456	
					KAF	67	DT	90S8	47	455	
7.3	485	123.54	12500	1.70	K	67	DT	80K6	38	454	
8.3	425	108.03	12700	1.95	KF	67	DT	80K6	44	455	
8.8	405	102.62	12800	2.0	KA	67	DT	80K6	36	456	
10	355	90.04	13000	2.3	KAF	67	DT	80K6	41	455	
9.5	370	144.79*	12900	2.2	K	67	DT	71D4	36	454	
11	315	123.54	13000	2.6	KF	67	DT	71D4	42	455	
13	275	108.03	13000	3.0	KA	67	DT	71D4	34	456	
15	230	90.04	13000	3.6	KAF	67	DT	71D4	39	455	
18	196	76.37	13000	4.2							
7.3	485	123.85	8490	1.25							
8.3	425	108.29	8770	1.40	K	57	DT	80K6	32	449	
8.8	405	102.88*	8870	1.50	KF	57	DT	80K6	37	450	
10	355	90.26*	9070	1.70	KA	57	DT	80K6	30	451	
12	300	76.56*	9280	2.0	KAF	57	DT	80K6	36	450	
13	270	69.12	9390	2.2							
9.5	370	145.14*	9000	1.60							
11	315	123.85	9220	1.90							
13	275	108.29	9370	2.2	K	57	DT	71D4	30	449	
13	265	102.88*	9420	2.3	KF	57	DT	71D4	35	450	
15	230	90.26*	9530	2.6	KA	57	DT	71D4	28	451	
18	196	76.56*	9650	3.1	KAF	57	DT	71D4	34	450	
20	177	69.12	9700	3.4							
8.6	410	104.37	5490	1.00	K	47	DT	80K6	27	444	
9.9	355	90.86	6480	1.10	KF	47	DT	80K6	30	445	
11	335	85.12*	6730	1.20	KA	47	DT	80K6	26	446	
12	295	75.20*	7100	1.35	KAF	47	DT	80K6	29	445	



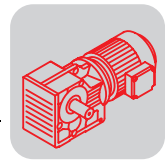
P_m [kW]	n_a [1/min]	M_a [Nm]	i	$F_{Ra}^{1)}$ [N]	SEW f_B					m [kg]	
0.37	10	340	131.87*	6690	1.20	K	47	DT	71D4	25	444
	11	310	121.48*	6960	1.30	KF	47	DT	71D4	28	445
	13	265	104.37	7330	1.50	KA	47	DT	71D4	24	446
						KAF	47	DT	71D4	27	445
	15	235	90.86	7580	1.70	K	47	DT	71D4	25	444
	16	220	85.12*	7670	1.85	KF	47	DT	71D4	28	445
	18	193	75.20*	7810	2.1	KA	47	DT	71D4	24	446
	20	179	69.84	7880	2.2	KAF	47	DT	71D4	27	445
	22	162	63.30*	7960	2.5						
	14	250	97.81	2520	0.80						
	16	215	83.69	5470	0.95						
	19	186	72.54	5690	1.10						
	20	174	67.80	5630	1.15						
	24	150	58.60	5510	1.35						
	28	128	49.79	5350	1.55						
	31	114	44.46	5230	1.75						
	36	97	37.97	5060	2.1						
	39	91	35.57	4990	2.2						
	46	77	29.96	4800	2.6						
	48	74	28.83	4750	2.7	K	37	DT	71D4	18	439
	55	64	24.99	4590	3.1	KF	37	DT	71D4	20	440
	59	60	23.36	4510	3.3	KA	37	DT	71D4	17	441
68	52	20.19	4350	3.6	KAF	37	DT	71D4	19	440	
80	44	17.15	4160	4.1							
90	39	15.31	4040	4.5							
105	34	13.08	3860	4.9							
114	31	12.14	3780	5.1							
132	27	10.49	3630	6.0							
155	23	8.91	3460	7.0							
173	20	7.96	3350	7.6							
203	17	6.80	3190	8.6							
217	16	6.37	3130	8.9							
257	14	5.36	2970	10							
0.55	0.08	55000	16978	190000	0.90						
	0.10	46200	14272	190000	1.10						
	0.10	42000	13116	190000	1.20	K	187 R97	DT	80K4	1760	490
	0.12	36700	11647	190000	1.35	KH	187 R97	DT	80K4	1700	490
	0.19	23800	7343	190000	2.1						
	0.12	37500	11573	150000	0.85						
	0.13	33300	10264	150000	0.95						
	0.16	27900	8628	150000	1.15	K	167 R97	DT	80K4	1180	490
	0.21	21200	6562	150000	1.50	KH	167 R97	DT	80K4	1140	490
	0.25	16900	5355	150000	1.90						
	0.33	13100	4079	150000	2.5						
	0.20	22300	6881	109700	0.80	K	157 R97	DT	80K4	790	490
	0.23	19200	5931	111600	0.95	KF	157 R97	DT	80K4	870	490
	0.34	12900	3979	114400	1.40	KA	157 R97	DT	80K4	750	490
	0.45	9880	3051	115300	1.80	KAF	157 R97	DT	80K4	810	490
	0.31	14900	4423	76100	0.85						
	0.35	13100	3889	79100	1.00	K	127 R77	DT	80K4	475	490
	0.41	11100	3311	80200	1.20	KF	127 R77	DT	80K4	520	490
	0.45	10000	3009	80700	1.30	KA	127 R77	DT	80K4	445	490
	0.52	8590	2607	81200	1.50	KAF	127 R77	DT	80K4	480	490
	0.71	6620	1926	81900	1.95						
	0.77	6040	1757	82100	2.2	K	127 R77	DT	80K4	470	490
	0.88	5270	1541	82200	2.5	KF	127 R77	DT	80K4	510	490
	1.0	4610	1342	82400	2.8	KA	127 R77	DT	80K4	445	490
	1.2	4020	1177	82500	3.2	KAF	127 R77	DT	80K4	480	490
	1.3	3520	1025	82600	3.7						
	0.46	10100	2977	65000	0.80	K	107 R77	DT	80K4	315	490
	0.52	8830	2599	65000	0.90	KF	107 R77	DT	80K4	325	490
	0.59	7720	2286	65000	1.05	KA	107 R77	DT	80K4	285	490
	0.70	6540	1939	65000	1.20	KAF	107 R77	DT	80K4	310	490



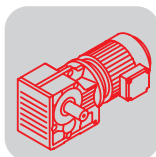
P_m [kW]	n_a [1/min]	M_a [Nm]	i	$F_{Ra}^{1)}$ [N]	SEW f_B		m [kg]				
0.55	0.79	5920	1713	65000	1.35						
	0.87	5370	1554	65000	1.50						
	1.0	4610	1336	65000	1.75						
	1.2	4030	1166	65000	2.0	K	107 R77	DT	80K4	310	490
	1.3	3460	1030	65000	2.3	KF	107 R77	DT	80K4	325	490
	1.5	3010	904	65000	2.7	KA	107 R77	DT	80K4	285	490
	1.7	2730	793	65000	2.9	KAF	107 R77	DT	80K4	310	490
	1.9	2380	696	65000	3.4						
	2.2	2050	615	65000	3.9						
	0.95	4940	1430	40000	0.85						
	1.1	4440	1261	40000	0.95						
	1.2	3870	1102	40000	1.10						
	1.4	3400	957	40000	1.25						
	1.6	3040	855	40000	1.40	K	97 R57	DT	80K4	180	490
	1.8	2550	743	40000	1.70	KF	97 R57	DT	80K4	205	490
	2.1	2250	652	40000	1.90	KA	97 R57	DT	80K4	165	490
	2.4	2020	573	40000	2.1	KAF	97 R57	DT	80K4	190	490
	2.7	1720	504	40000	2.5						
	3.1	1480	437	40000	2.9						
	3.6	1320	382	40000	3.3						
	4.5	1070	305	40000	4.0						
	1.4	3300	951	26400	0.80						
1.6	2890	837	27000	0.95							
1.9	2510	726	27500	1.10							
2.1	2220	638	27800	1.20							
2.4	1940	562	28100	1.40							
2.9	1640	474	28400	1.65	K	87 R57	DT	80K4	120	490	
3.2	1470	426	28500	1.85	KF	87 R57	DT	80K4	130	490	
3.6	1290	373	28600	2.1	KA	87 R57	DT	80K4	110	490	
4.1	1130	330	28700	2.4	KAF	87 R57	DT	80K4	125	490	
4.6	1010	294	28800	2.7							
5.4	870	250	28800	3.1							
5.8	820	236	28900	3.3							
6.8	695	201	28900	3.9							
2.8	1690	485	14300	0.90							
3.2	1490	428	15800	1.05							
3.7	1290	367	17000	1.20							
4.2	1150	328	17700	1.35							
4.7	1020	290	18200	1.50	K	77 R37	DT	80K4	73	490	
5.4	880	252	18700	1.75	KF	77 R37	DT	80K4	81	490	
6.2	770	221	19100	2.0	KA	77 R37	DT	80K4	65	490	
7.0	680	195	19300	2.3	KAF	77 R37	DT	80K4	73	490	
7.8	605	175	19500	2.6							
8.8	535	154	19600	2.9							
4.9	970	279	6400	0.85							
5.5	850	246	9990	0.95							
6.2	760	217	10800	1.10	K	67 R37	DT	80K4	49	490	
7.1	670	191	11500	1.25	KF	67 R37	DT	80K4	54	490	
8.2	575	166	12000	1.40	KA	67 R37	DT	80K4	46	490	
9.4	505	144	12400	1.60	KAF	67 R37	DT	80K4	52	490	
11	430	122	12700	1.90							
7.1	670	192	4080	0.90							
8.2	580	166	7800	1.05	K	57 R37	DT	80K4	43	490	
9.4	510	145	8360	1.20	KF	57 R37	DT	80K4	47	490	
11	455	129	8630	1.30	KA	57 R37	DT	80K4	41	490	
12	390	111	8930	1.55	KAF	57 R37	DT	80K4	46	490	
14	340	97	9120	1.75							
3.9	1350	174.19	28600	2.0	K	87	DT	90L8	105	464	
4.1	1270	164.34*	28600	2.1	KF	87	DT	90L8	115	465	
4.6	1140	147.32*	28700	2.4	KA	87	DT	90L8	95	466	
					KAF	87	DT	90L8	110	465	
4.6	1150	197.37	28700	2.3	K	87	DT	80N6	100	464	
5.2	1020	174.19	28800	2.7	KF	87	DT	80N6	110	465	
5.5	960	164.34*	28800	2.8	KA	87	DT	80N6	89	466	
6.1	860	147.32*	28900	3.1	KAF	87	DT	80N6	100	465	



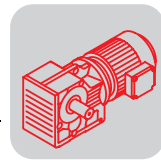
P_m [kW]	n_a [1/min]	M_a [Nm]	i	$F_{Ra}^{1)}$ [N]	SEW f_B					m [kg]	
0.55	5.0	1040	135.28	18100	1.50	K	77	DT	90L8	71	459
	5.3	990	128.52	18300	1.55	KF	77	DT	90L8	79	460
	6.0	880	113.56	18700	1.75	KA	77	DT	90L8	64	461
	7.0	750	97.05	19100	2.1	KAF	77	DT	90L8	72	460
	5.8	900	154.02	18700	1.70	K	77	DT	80N6	65	459
	6.7	790	135.28	19000	1.95	KF	77	DT	80N6	73	460
	7.0	750	128.52	19100	2.1	KA	77	DT	80N6	58	461
	7.9	665	113.56	19400	2.3	KAF	77	DT	80N6	66	460
	8.8	595	154.02	19500	2.6	K	77	DT	80K4	63	459
	10	520	135.28	19700	3.0	KF	77	DT	80K4	71	460
	11	495	128.52	19700	3.1	KA	77	DT	80K4	56	461
	12	440	113.56	19800	3.5	KAF	77	DT	80K4	64	460
	14	375	97.05	19900	4.1						
	7.3	720	123.54	11100	1.15	K	67	DT	80N6	39	454
	8.3	630	108.03	11700	1.30	KF	67	DT	80N6	45	455
	8.8	600	102.62	11900	1.35	KA	67	DT	80N6	37	456
	10	525	90.04	12300	1.55	KAF	67	DT	80N6	42	455
	12	445	76.37	12600	1.85						
	11	475	123.54	12500	1.70	K	67	DT	80K4	38	454
	13	415	108.03	12800	1.95	KF	67	DT	80K4	44	455
	15	350	90.04	13000	2.4	KA	67	DT	80K4	36	456
	18	295	76.37	13000	2.8	KAF	67	DT	80K4	41	455
	8.3	630	108.29	7360	0.95						
	8.8	600	102.88*	7630	1.00	K	57	DT	80N6	33	449
	10	525	90.26*	8220	1.15	KF	57	DT	80N6	38	450
	12	445	76.56*	8670	1.35	KA	57	DT	80N6	31	451
	13	405	69.12	8870	1.50	KAF	57	DT	80N6	37	450
	15	355	60.81*	9070	1.70						
	16	335	57.42*	9150	1.80						
	11	480	123.85	8520	1.25						
	13	420	108.29	8800	1.45						
	13	395	102.88*	8890	1.50	K	57	DT	80K4	32	449
	15	350	90.26*	9100	1.70	KF	57	DT	80K4	37	450
	18	295	76.56*	9300	2.0	KA	57	DT	80K4	30	451
	20	265	69.12	9410	2.3	KAF	57	DT	80K4	36	450
	22	235	60.81*	9520	2.6						
	24	220	57.42*	9560	2.7						
	13	405	104.37	5880	1.00	K	47	DT	80K4	27	444
	15	350	90.86	6550	1.15	KF	47	DT	80K4	30	445
	16	330	85.12*	6790	1.20	KA	47	DT	80K4	26	446
	18	290	75.20*	7150	1.40	KAF	47	DT	80K4	29	445
	19	270	69.84	7310	1.50						
	21	245	63.30*	7500	1.65	K	47	DT	80K4	27	444
	24	220	56.83	7660	1.80	KF	47	DT	80K4	30	445
	28	189	48.95*	7830	2.1	KA	47	DT	80K4	26	446
	30	178	46.03*	7880	2.3	KAF	47	DT	80K4	29	445
	23	225	58.60	4850	0.90						
	27	192	49.79	4790	1.05						
31	172	44.46	4740	1.15							
36	147	37.97	4640	1.35							
38	137	35.57	4600	1.45							
45	116	29.96	4470	1.75							
47	111	28.83	4440	1.80							
54	97	24.99	4320	2.1							
58	90	23.36	4260	2.2							
67	78	20.19	4130	2.4	K	37	DT	80K4	20	439	
79	66	17.15	3980	2.7	KF	37	DT	80K4	22	440	
89	59	15.31	3880	3.0	KA	37	DT	80K4	19	441	
104	51	13.08	3730	3.3	KAF	37	DT	80K4	21	440	
112	47	12.14	3660	3.4							
130	41	10.49	3520	4.0							
153	34	8.91	3370	4.7							
171	31	7.96	3270	5.1							
200	26	6.80	3130	5.7							
214	25	6.37	3070	5.9							
254	21	5.36	2920	6.8							
342	15	3.98	2680	8.1							

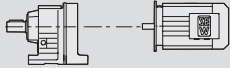



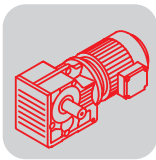
P_m [kW]	n_a [1/min]	M_a [Nm]	i	$F_{Ra}^{1)}$ [N]	SEW f_B					m [kg]		
0.75	0.11	58000	13116	190000	0.85							
	0.12	50900	11647	190000	1.00	K	187 R97	DT	80N4	1770	490	
	0.19	32700	7343	190000	1.55	KH	187 R97	DT	80N4	1700	490	
	0.20	29900	6747	190000	1.65							
	0.23	26200	5991	190000	1.90							
	0.16	38500	8628	150000	0.85							
	0.21	29300	6562	150000	1.10	K	167 R97	DT	80N4	1180	490	
	0.26	23400	5355	150000	1.35	KH	167 R97	DT	80N4	1150	490	
	0.34	18100	4079	150000	1.75							
	0.41	15100	3376	150000	2.1							
	0.35	17700	3979	112300	1.00	K	157 R97	DT	80N4	790	490	
	0.45	13600	3051	114100	1.30	KF	157 R97	DT	80N4	870	490	
						KA	157 R97	DT	80N4	750	490	
						KAF	157 R97	DT	80N4	810	490	
	0.83	7490	1659	115900	2.4	K	157 R97	DT	80N4	790	490	
	1.0	6040	1365	116200	3.0	KF	157 R97	DT	80N4	870	490	
						KA	157 R97	DT	80N4	750	490	
						KAF	157 R97	DT	80N4	810	490	
	0.42	15100	3311	75700	0.85	K	127 R77	DT	80N4	475	490	
	0.46	13700	3009	78600	0.95	KF	127 R77	DT	80N4	520	490	
0.53	11800	2607	79800	1.10	KA	127 R77	DT	80N4	445	490		
					KAF	127 R77	DT	80N4	485	490		
0.72	9010	1926	81100	1.45								
0.79	8220	1757	81400	1.60								
0.90	7180	1541	81700	1.80	K	127 R77	DT	80N4	475	490		
1.0	6280	1342	82000	2.1	KF	127 R77	DT	80N4	520	490		
1.2	5480	1177	82200	2.4	KA	127 R77	DT	80N4	445	490		
1.4	4790	1025	82300	2.7	KAF	127 R77	DT	80N4	485	490		
1.5	4190	899	82500	3.1								
0.81	8040	1713	65000	1.00								
0.89	7300	1554	65000	1.10								
1.0	6270	1336	65000	1.30	K	107 R77	DT	80N4	315	490		
1.2	5470	1166	65000	1.45	KF	107 R77	DT	80N4	325	490		
1.3	4740	1030	65000	1.70	KA	107 R77	DT	80N4	285	490		
1.5	4130	904	65000	1.95	KAF	107 R77	DT	80N4	310	490		
1.7	3710	793	65000	2.2								
2.0	3240	696	65000	2.5								
2.2	2810	615	65000	2.8								
1.2	5240	1102	39600	0.80								
1.4	4600	957	40000	0.95								
1.6	4110	855	40000	1.05								
1.9	3470	743	40000	1.25								
2.1	3050	652	40000	1.40								
2.4	2740	573	40000	1.55	K	97 R57	DT	80N4	185	490		
2.7	2350	504	40000	1.85	KF	97 R57	DT	80N4	205	490		
3.2	2020	437	40000	2.1	KA	97 R57	DT	80N4	165	490		
3.6	1790	382	40000	2.4	KAF	97 R57	DT	80N4	190	490		
4.5	1450	305	40000	3.0								
5.4	1220	258	40000	3.5								
6.0	1100	232	40000	3.9								
6.9	940	199	40000	4.6								
1.9	3410	726	26300	0.80								
2.2	3010	638	26900	0.90								
2.5	2640	562	27400	1.00								
2.9	2220	474	27800	1.20								
3.2	2000	426	28100	1.35	K	87 R57	DT	80N4	125	490		
3.7	1760	373	28300	1.55	KF	87 R57	DT	80N4	130	490		
4.2	1540	330	28400	1.75	KA	87 R57	DT	80N4	110	490		
4.7	1370	294	28600	1.95	KAF	87 R57	DT	80N4	125	490		
5.5	1190	250	28700	2.3								
5.8	1120	236	28700	2.4								
6.9	950	201	28800	2.9								


K..DR/DT/DV
K..D.. [kW]

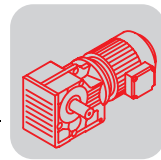
P_m [kW]	n_a [1/min]	M_a [Nm]	i	$F_{Ra}^{1)}$ [N]	SEW f_B					m [kg]			
0.75	3.8	1740	367	13900	0.90								
	4.2	1550	328	15400	1.00	K	77 R37	DT	80N4	74	490		
	4.8	1380	290	16500	1.15	KF	77 R37	DT	80N4	82	490		
	5.5	1190	252	17500	1.30	KA	77 R37	DT	80N4	66	490		
	6.2	1040	221	18100	1.50	KAF	77 R37	DT	80N4	74	490		
	3.9	1830	176.05*	40000	2.4	K	97	DV	100M8	175	469		
	4.5	1590	153.21*	40000	2.7	KF	97	DV	100M8	195	470		
	4.9	1460	140.28	40000	3.0	KA	97	DV	100M8	155	471		
						KAF	97	DV	100M8	180	470		
	4.7	1530	147.32*	28500	1.75	K	87	DV	100M8	115	464		
	5.4	1320	126.91*	28600	2.1	KF	87	DV	100M8	125	465		
	6.0	1200	115.82	28700	2.3	KA	87	DV	100M8	105	466		
	6.7	1070	102.71*	28700	2.5	KAF	87	DV	100M8	115	465		
	5.2	1390	174.19	28600	1.95	K	87	DT	90S6	105	464		
	5.5	1310	164.34*	28600	2.1	KF	87	DT	90S6	115	465		
	6.1	1170	147.32*	28700	2.3	KA	87	DT	90S6	94	466		
	7.1	1010	126.91*	28800	2.7	KAF	87	DT	90S6	105	465		
	7.0	1020	197.37	28800	2.6	K	87	DT	80N4	100	464		
	7.9	900	174.19	28800	3.0	KF	87	DT	80N4	110	465		
	8.4	850	164.34*	28900	3.2	KA	87	DT	80N4	89	466		
	9.4	765	147.32*	28900	3.5	KAF	87	DT	80N4	100	465		
	6.7	1080	135.28	18000	1.45	K	77	DT	90S6	70	459		
	7.0	1020	128.52	18200	1.50	KF	77	DT	90S6	78	460		
	7.9	900	113.56	18700	1.70	KA	77	DT	90S6	63	461		
	9.3	770	97.05	19100	2.0	KAF	77	DT	90S6	71	460		
	10	710	88.97	19200	2.2								
	9.0	800	154.02	19000	1.95	K	77	DT	80N4	65	459		
	10	700	135.28	19300	2.2	KF	77	DT	80N4	73	460		
	11	665	128.52	19300	2.3	KA	77	DT	80N4	58	461		
	12	590	113.56	19500	2.6	KAF	77	DT	80N4	66	460		
	14	505	97.05	19700	3.1								
	11	640	123.54	11700	1.30	K	67	DT	80N4	39	454		
	13	560	108.03	12100	1.45	KF	67	DT	80N4	45	455		
	15	465	90.04	12600	1.75	KA	67	DT	80N4	37	456		
						KAF	67	DT	80N4	42	455		
	18	395	76.37	12800	2.1	K	67	DT	80N4	39	454		
	20	360	68.95	13000	2.3	KF	67	DT	80N4	45	455		
	23	315	60.66	13000	2.6	KA	67	DT	80N4	37	456		
	24	295	57.28	13000	2.8	KAF	67	DT	80N4	42	455		
	11	645	123.85	7130	0.95								
	13	560	108.29	7940	1.05								
	13	535	102.88*	8160	1.10								
	15	470	90.26*	8570	1.30	K	57	DT	80N4	33	449		
	18	395	76.56*	8890	1.50	KF	57	DT	80N4	38	450		
20	360	69.12	9060	1.65	KA	57	DT	80N4	31	451			
23	315	60.81*	9230	1.90	KAF	57	DT	80N4	37	450			
24	300	57.42*	9290	2.0									
28	255	48.89	9450	2.4									
31	230	44.43	9530	2.6									
18	390	75.20*	6060	1.00	K	47	DT	80N4	28	444			
20	365	69.84	6410	1.10	KF	47	DT	80N4	31	445			
22	330	63.30*	6790	1.20	KA	47	DT	80N4	27	446			
					KAF	47	DT	80N4	30	445			
24	295	56.83	7110	1.35									
28	255	48.95*	7430	1.55	K	47	DT	80N4	28	444			
30	240	46.03*	7540	1.65	KF	47	DT	80N4	31	445			
35	205	39.61	7740	1.95	KA	47	DT	80N4	27	446			
39	184	35.39	7760	2.2	KAF	47	DT	80N4	30	445			
44	162	31.30	7550	2.5									



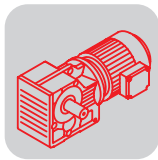
P_m [kW]	n_a [1/min]	M_a [Nm]	i	$F_{Ra}^{1)}$ [N]	SEW f_B		m [kg]		
0.75	31	230	44.46	4170	0.85				
	36	197	37.97	4150	1.00				
	39	185	35.57	4140	1.10				
	46	156	29.96	4080	1.30				
	48	150	28.83	4060	1.35				
	55	130	24.99	3990	1.55				
	59	121	23.36	3950	1.60				
	68	105	20.19	3860	1.75				
	80	89	17.15	3750	2.0	K 37	DT 80N4	21	439
	90	80	15.31	3670	2.2	KF 37	DT 80N4	23	440
	105	68	13.08	3550	2.4	KA 37	DT 80N4	20	441
	114	63	12.14	3500	2.5	KAF 37	DT 80N4	22	440
	132	54	10.49	3380	2.9				
	155	46	8.91	3250	3.5				
	173	41	7.96	3160	3.8				
	203	35	6.80	3030	4.3				
	217	33	6.37	2980	4.4				
257	28	5.36	2840	5.0					
347	21	3.98	2620	6.0					
1.1	0.15	59700	9363	190000	0.85				
	0.17	51100	8126	190000	1.00				
	0.19	48400	7343	190000	1.05				
	0.21	44200	6747	190000	1.15	K 187 R97	DT 90S4	1770	490
	0.23	39000	5991	190000	1.30	KH 187 R97	DT 90S4	1700	490
	0.26	34500	5358	190000	1.45				
	0.29	30700	4817	190000	1.65				
	0.32	27900	4370	190000	1.80				
	0.26	34800	5355	150000	0.90				
	0.29	30800	4788	150000	1.05				
	0.34	26700	4079	150000	1.20	K 167 R97	DT 90S4	1190	490
	0.41	22300	3376	150000	1.45	KH 167 R97	DT 90S4	1150	490
	0.51	17900	2755	150000	1.80				
	0.64	14600	2182	150000	2.2				
	0.82	11300	1704	150000	2.8	K 167 R97	DT 90S4	1190	490
	0.99	9390	1408	150000	3.4	KH 167 R97	DT 90S4	1150	490
	1.1	8600	1296	150000	3.7				
	0.40	22700	3516	109500	0.80	K 157 R97	DT 90S4	800	490
	0.46	20100	3051	111100	0.90	KF 157 R97	DT 90S4	870	490
	0.54	16700	2610	112800	1.10	KA 157 R97	DT 90S4	760	490
	0.60	14800	2322	113600	1.20	KAF 157 R97	DT 90S4	820	490
	0.84	11100	1659	115000	1.65				
	1.0	8980	1365	115600	2.0	K 157 R97	DT 90S4	790	490
	1.1	8010	1229	115800	2.3	KF 157 R97	DT 90S4	870	490
	1.3	7130	1093	116000	2.5	KA 157 R97	DT 90S4	760	490
	1.5	6150	942	116100	2.9	KAF 157 R97	DT 90S4	810	490
	1.6	5510	854	116200	3.3				
	0.73	13200	1926	79100	1.00				
	0.80	12000	1757	79700	1.10				
	0.91	10500	1541	80500	1.25				
1.0	9170	1342	81000	1.40					
1.2	8020	1177	81400	1.60	K 127 R77	DT 90S4	480	490	
1.4	7010	1025	81800	1.85	KF 127 R77	DT 90S4	520	490	
1.6	6130	899	82000	2.1	KA 127 R77	DT 90S4	450	490	
1.8	5280	790	82200	2.5	KAF 127 R77	DT 90S4	490	490	
2.0	4780	704	82300	2.7					
2.3	4110	610	82500	3.2					
2.6	3710	549	82500	3.5					
2.9	3190	477	82600	4.1					



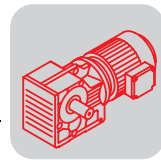
P_m [kW]	n_a [1/min]	M_a [Nm]	i	$F_{Ra}^{1)}$ [N]	SEW f_B					m [kg]	
1.1	1.2	7990	1166	65000	1.00						
	1.4	6960	1030	65000	1.15						
	1.6	6080	904	65000	1.30						
	1.8	5420	793	65000	1.50						
	2.0	4740	696	65000	1.70	K	107 R77	DT	90S4	320	490
	2.3	4140	615	65000	1.95	KF	107 R77	DT	90S4	330	490
	2.7	3510	522	65000	2.3	KA	107 R77	DT	90S4	290	490
	3.0	3090	461	65000	2.6	KAF	107 R77	DT	90S4	315	490
	3.4	2720	408	65000	2.9						
	3.9	2470	364	65000	3.2						
	4.4	2160	318	65000	3.7						
	1.9	5070	743	39800	0.85						
	2.1	4460	652	40000	0.95						
	2.4	3990	573	40000	1.10	K	97 R57	DT	90S4	190	490
	2.8	3430	504	40000	1.25	KF	97 R57	DT	90S4	210	490
	3.2	2970	437	40000	1.45	KA	97 R57	DT	90S4	170	490
	3.7	2620	382	40000	1.65	KAF	97 R57	DT	90S4	195	490
	4.1	2320	342	40000	1.85						
	3.0	3250	474	26500	0.85						
	3.3	2920	426	27000	0.90						
	3.8	2570	373	27400	1.05	K	87 R57	DT	90S4	130	490
	4.2	2250	330	27800	1.20	KF	87 R57	DT	90S4	135	490
	4.8	2010	294	28000	1.35	KA	87 R57	DT	90S4	115	490
	5.6	1730	250	28300	1.55	KAF	87 R57	DT	90S4	130	490
	5.9	1630	236	28400	1.65						
	7.0	1390	201	28600	1.95						
	3.8	2760	176.05*	40000	1.55	K	97	DV	100L8	175	469
	4.4	2400	153.21*	40000	1.80	KF	97	DV	100L8	200	470
	4.8	2200	140.28	40000	1.95	KA	97	DV	100L8	160	471
	5.4	1940	123.93*	40000	2.2	KAF	97	DV	100L8	185	470
	5.2	2010	176.05*	40000	2.1	K	97	DT	90L6	165	469
	6.0	1750	153.21*	40000	2.5	KF	97	DT	90L6	185	470
	6.6	1600	140.28	40000	2.7	KA	97	DT	90L6	145	471
	7.4	1420	123.93*	40000	3.0	KAF	97	DT	90L6	170	470
	8.0	1320	176.05*	40000	3.3	K	97	DT	90S4	165	469
	9.1	1150	153.21*	40000	3.7	KF	97	DT	90S4	185	470
	10	1050	140.28	40000	4.1	KA	97	DT	90S4	145	471
						KAF	97	DT	90S4	170	470
	5.3	1990	174.19	28100	1.35	K	87	DT	90L6	105	464
	5.6	1880	164.34*	28200	1.45	KF	87	DT	90L6	115	465
	6.2	1680	147.32*	28300	1.60	KA	87	DT	90L6	95	466
	7.2	1450	126.91*	28500	1.85	KAF	87	DT	90L6	110	465
	8.0	1310	174.19	28600	2.1	K	87	DT	90S4	105	464
	8.5	1230	164.34*	28700	2.2	KF	87	DT	90S4	115	465
9.5	1110	147.32*	28700	2.4	KA	87	DT	90S4	94	466	
11	950	126.91*	28800	2.8	KAF	87	DT	90S4	105	465	
12	870	115.82	28800	3.1							
6.8	1540	135.28	15400	1.00	K	77	DT	90L6	71	459	
7.2	1470	128.52	15900	1.05	KF	77	DT	90L6	79	460	
8.1	1300	113.56	17000	1.20	KA	77	DT	90L6	64	461	
9.5	1110	97.05	17900	1.40	KAF	77	DT	90L6	72	460	
10	1020	135.28	18300	1.55	K	77	DT	90S4	70	459	
11	960	128.52	18400	1.60	KF	77	DT	90S4	78	460	
12	850	113.56	18800	1.80	KA	77	DT	90S4	63	461	
					KAF	77	DT	90S4	71	460	
14	730	97.05	19200	2.1	K	77	DT	90S4	70	459	
16	670	88.97	19300	2.3	KF	77	DT	90S4	78	460	
18	585	78.07	19500	2.7	KA	77	DT	90S4	63	461	
19	555	73.99	19600	2.8	KAF	77	DT	90S4	71	460	



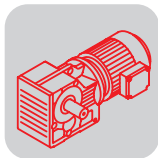
P _m [kW]	n _a [1/min]	M _a [Nm]	i	F _{Ra} ¹⁾ [N]	SEW f _B					m [kg]	
1.1	13	810	108.03	10400	1.00						
	14	770	102.62	10700	1.05	K	67	DT	90S4	44	454
	16	675	90.04	11400	1.20	KF	67	DT	90S4	50	455
	18	575	76.37	12000	1.45	KA	67	DT	90S4	42	456
	20	515	68.95	12300	1.60	KAF	67	DT	90S4	47	455
	23	455	60.66	12600	1.80						
	24	430	57.28	12700	1.90	K	67	DT	90S4	44	454
	29	365	48.77	12900	2.2	KF	67	DT	90S4	50	455
	32	335	44.32	13000	2.5	KA	67	DT	90S4	42	456
	36	290	38.39	13000	2.8	KAF	67	DT	90S4	47	455
	16	675	90.26*	2410	0.90						
	18	575	76.56*	7840	1.05	K	57	DT	90S4	39	449
	20	520	69.12	8280	1.15	KF	57	DT	90S4	43	450
	23	455	60.81*	8630	1.30	KA	57	DT	90S4	36	451
	24	430	57.42*	8750	1.40	KAF	57	DT	90S4	42	450
	29	365	48.89	9020	1.65						
	32	335	44.43	9160	1.80						
	36	290	38.49	9330	2.1						
	39	270	35.70	9400	2.2						
	46	225	30.28	9540	2.6						
	51	205	27.34	9510	2.9						
	58	181	24.05	9220	3.3						
	62	170	22.71	9090	3.5						
	72	145	19.34	8720	4.0	K	57	DT	90S4	39	449
	80	132	17.57	8510	4.2	KF	57	DT	90S4	43	450
	92	114	15.22	8180	4.7	KA	57	DT	90S4	36	451
	106	99	13.25	7880	5.1	KAF	57	DT	90S4	42	450
	117	90	11.92	7570	4.6						
	124	85	11.26	7450	4.9						
	146	72	9.59	7120	5.6						
	161	65	8.71	6930	6.0						
	186	57	7.55	6650	6.5						
	213	49	6.57	6380	7.0						
	298	35	4.69	5770	8.5						
	25	425	56.83	3310	0.95	K	47	DT	90S4	33	444
	29	365	48.95*	6360	1.10	KF	47	DT	90S4	36	445
	30	345	46.03*	6610	1.15	KA	47	DT	90S4	32	446
						KAF	47	DT	90S4	35	445
	35	295	39.61	7090	1.35						
	40	265	35.39	7090	1.50	K	47	DT	90S4	33	444
	45	235	31.30	6960	1.70	KF	47	DT	90S4	36	445
	48	220	29.32	6890	1.80	KA	47	DT	90S4	32	446
	54	194	25.91	6730	2.1	KAF	47	DT	90S4	35	445
	64	164	21.81	6510	2.4						
	72	147	19.58	6360	2.7						
	47	225	29.96	3420	0.90						
	56	188	24.99	3440	1.05						
	60	175	23.36	3440	1.10						
69	152	20.19	3420	1.20							
82	129	17.15	3370	1.40							
91	115	15.31	3330	1.50							
107	98	13.08	3260	1.70	K	37	DT	90S4	26	439	
115	91	12.14	3220	1.75	KF	37	DT	90S4	28	440	
133	79	10.49	3140	2.0	KA	37	DT	90S4	26	441	
157	67	8.91	3040	2.4	KAF	37	DT	90S4	27	440	
176	60	7.96	2970	2.6							
206	51	6.80	2870	2.9							
220	48	6.37	2830	3.0							
261	40	5.36	2720	3.5							
352	30	3.98	2520	4.2							
1.5	0.21	60800	6747	190000	0.80						
	0.24	53600	5991	190000	0.95						
	0.26	47600	5358	190000	1.05	K	187 R97	DT	90L4	1770	490
	0.29	42500	4817	190000	1.20	KH	187 R97	DT	90L4	1710	490
	0.32	38600	4370	190000	1.30						
	0.39	33100	3609	190000	1.50						
	0.46	28000	3062	190000	1.80	K	187 R97	DT	90L4	1770	490
	0.56	22800	2519	190000	2.2	KH	187 R97	DT	90L4	1700	490
	0.62	20400	2268	190000	2.5						



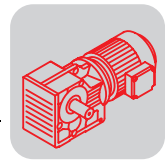
P_m [kW]	n_a [1/min]	M_a [Nm]	i	$F_{Ra}^{1)}$ [N]	SEW f_B					m [kg]		
1.5	0.35	36700	4079	150000	0.85							
	0.42	30500	3376	150000	1.05	K	167 R97	DT	90L4	1190	490	
	0.51	24700	2755	150000	1.30	KH	167 R97	DT	90L4	1150	490	
	0.65	20000	2182	150000	1.60							
	0.83	15500	1704	150000	2.1	K	167 R97	DT	90L4	1190	490	
	1.0	12900	1408	150000	2.5	KH	167 R97	DT	90L4	1150	490	
	1.1	11800	1296	150000	2.7							
	0.61	20500	2322	110800	0.90	K	157 R97	DT	90L4	800	490	
						KF	157 R97	DT	90L4	880	490	
						KA	157 R97	DT	90L4	760	490	
						KAF	157 R97	DT	90L4	820	490	
	0.85	15200	1659	113500	1.20							
	1.0	12400	1365	114600	1.45							
	1.2	11100	1229	115000	1.65	K	157 R97	DT	90L4	790	490	
	1.3	9840	1093	115300	1.85	KF	157 R97	DT	90L4	870	490	
	1.5	8480	942	115700	2.1	KA	157 R97	DT	90L4	760	490	
	1.7	7630	854	115900	2.4	KAF	157 R97	DT	90L4	820	490	
	2.5	5010	567	116300	3.6							
	2.8	4460	504	116400	4.0							
	2.6	4830	536	82300	2.7	K	127 R87	DT	90L4	500	490	
	3.4	3800	418	82500	3.4	KF	127 R87	DT	90L4	540	490	
	3.8	3350	367	82600	3.9	KA	127 R87	DT	90L4	470	490	
						KAF	127 R87	DT	90L4	510	490	
	0.80	16400	1757	73100	0.80							
0.91	14300	1541	77300	0.90								
1.1	12500	1342	79500	1.05								
1.2	10900	1177	80300	1.20								
1.4	9550	1025	80900	1.35	K	127 R77	DT	90L4	480	490		
1.6	8360	899	81300	1.55	KF	127 R77	DT	90L4	520	490		
1.8	7240	790	81700	1.80	KA	127 R77	DT	90L4	450	490		
2.0	6520	704	81900	2.0	KAF	127 R77	DT	90L4	490	490		
2.3	5620	610	82200	2.3								
2.6	5080	549	82300	2.6								
3.0	4370	477	82400	3.0								
3.4	3870	418	82500	3.4								
1.4	9520	1030	65000	0.85								
1.6	8320	904	65000	0.95								
1.8	7390	793	65000	1.10								
2.0	6470	696	65000	1.25	K	107 R77	DT	90L4	320	490		
2.3	5670	615	65000	1.40	KF	107 R77	DT	90L4	330	490		
2.7	4810	522	65000	1.65	KA	107 R77	DT	90L4	290	490		
3.1	4230	461	65000	1.90	KAF	107 R77	DT	90L4	315	490		
3.5	3740	408	65000	2.1								
3.9	3370	364	65000	2.4								
4.4	2940	318	65000	2.7								
2.5	5420	573	39400	0.80								
2.8	4680	504	40000	0.90								
3.2	4050	437	40000	1.05	K	97 R57	DT	90L4	190	490		
3.7	3570	382	40000	1.20	KF	97 R57	DT	90L4	210	490		
4.1	3160	342	40000	1.35	KA	97 R57	DT	90L4	170	490		
4.6	2880	305	40000	1.50	KAF	97 R57	DT	90L4	195	490		
5.5	2430	258	40000	1.75								
6.1	2190	232	40000	1.95								
7.1	1870	199	40000	2.3								
4.3	3070	330	26800	0.90								
4.8	2750	294	27200	1.00	K	87 R57	DT	90L4	130	490		
5.6	2360	250	27700	1.15	KF	87 R57	DT	90L4	140	490		
6.0	2230	236	27800	1.20	KA	87 R57	DT	90L4	120	490		
7.0	1890	201	28200	1.45	KAF	87 R57	DT	90L4	130	490		
7.7	1720	183	28300	1.55								
4.9	2940	143.47*	65000	2.7	K	107	DV	112M8	300	474		
5.8	2490	121.46	65000	3.2	KF	107	DV	112M8	310	475		
6.2	2300	112.41*	65000	3.5	KA	107	DV	112M8	270	476		
					KAF	107	DV	112M8	295	475		

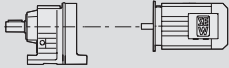



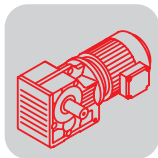
P _m [kW]	n _a [1/min]	M _a [Nm]	i	F _{Ra} ¹⁾ [N]	SEW f _B					m [kg]	
1.5	4.6	3140	153.21*	40000	1.35	K	97	DV	112M8	185	469
	5.0	2870	140.28	40000	1.50	KF	97	DV	112M8	205	470
	5.7	2540	123.93*	40000	1.70	KA	97	DV	112M8	165	471
						KAF	97	DV	112M8	190	470
	5.2	2740	176.05*	40000	1.55	K	97	DV	100M6	175	469
	6.0	2390	153.21*	40000	1.80	KF	97	DV	100M6	195	470
	6.6	2180	140.28	40000	1.95	KA	97	DV	100M6	155	471
	7.4	1930	123.93*	40000	2.2	KAF	97	DV	100M6	180	470
	8.0	1790	176.05*	40000	2.4	K	97	DT	90L4	165	469
	9.2	1560	153.21*	40000	2.8	KF	97	DT	90L4	185	470
10	1430	140.28	40000	3.0	KA	97	DT	90L4	145	471	
11	1260	123.93*	40000	3.4	KAF	97	DT	90L4	170	470	
6.2	2290	147.32*	27800	1.20	K	87	DV	100M6	115	464	
7.2	1980	126.91*	28100	1.35	KF	87	DV	100M6	125	465	
7.9	1800	115.82	28200	1.50	KA	87	DV	100M6	105	466	
9.0	1600	102.71*	28400	1.70	KAF	87	DV	100M6	115	465	
8.1	1770	174.19	28300	1.55							
8.6	1670	164.34*	28300	1.60	K	87	DT	90L4	105	464	
9.6	1500	147.32*	28500	1.80	KF	87	DT	90L4	115	465	
11	1290	126.91*	28600	2.1	KA	87	DT	90L4	95	466	
12	1180	115.82	28700	2.3	KAF	87	DT	90L4	110	465	
14	1040	102.71*	28800	2.6							
16	880	86.34	28800	3.1							
8.1	1770	113.56	13600	0.90	K	77	DV	100M6	78	459	
9.5	1510	97.05	15700	1.05	KF	77	DV	100M6	86	460	
10	1390	88.97	16400	1.10	KA	77	DV	100M6	71	461	
12	1220	78.07	17400	1.30	KAF	77	DV	100M6	79	460	
10	1370	135.28	16500	1.15	K	77	DT	90L4	71	459	
11	1310	128.52	16900	1.20	KF	77	DT	90L4	79	460	
12	1150	113.56	17700	1.35	KA	77	DT	90L4	64	461	
15	990	97.05	18400	1.55	KAF	77	DT	90L4	72	460	
16	900	88.97	18700	1.70							
18	795	78.07	19000	1.95							
19	750	73.99	19100	2.1	K	77	DT	90L4	71	459	
22	660	64.75	19400	2.4	KF	77	DT	90L4	79	460	
24	595	58.34	19500	2.6	KA	77	DT	90L4	64	461	
28	520	51.18	19700	3.0	KAF	77	DT	90L4	72	460	
31	460	45.16	19800	3.4							
35	405	40.04	19800	3.8							
16	910	90.04	9370	0.90							
18	775	76.37	10700	1.05	K	67	DT	90L4	46	454	
20	700	68.95	11300	1.15	KF	67	DT	90L4	52	455	
23	615	60.66	11800	1.35	KA	67	DT	90L4	44	456	
25	580	57.28	12000	1.40	KAF	67	DT	90L4	49	455	
29	495	48.77	12400	1.65							
32	450	44.32	12600	1.80							
37	390	38.39	12800	2.1	K	67	DT	90L4	46	454	
40	360	35.62	12900	2.3	KF	67	DT	90L4	52	455	
47	305	30.22	13000	2.7	KA	67	DT	90L4	44	456	
52	275	27.28	13000	3.0	KAF	67	DT	90L4	49	455	
59	245	24.00	13000	3.3							
23	620	60.81*	7480	0.95	K	57	DT	90L4	41	449	
25	585	57.42*	7770	1.05	KF	57	DT	90L4	45	450	
29	495	48.89	8430	1.20	KA	57	DT	90L4	38	451	
32	450	44.43	8650	1.35	KAF	57	DT	90L4	44	450	
37	390	38.49	8920	1.55							
39	365	35.70	9040	1.65	K	57	DT	90L4	41	449	
47	310	30.28	9190	1.95	KF	57	DT	90L4	45	450	
52	280	27.34	9010	2.2	KA	57	DT	90L4	38	451	
59	245	24.05	8780	2.5	KAF	57	DT	90L4	44	450	
62	230	22.71	8670	2.6							
73	196	19.34	8360	2.9							

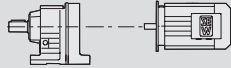



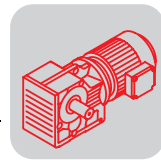
P_m [kW]	n_a [1/min]	M_a [Nm]	i	$F_{Ra}^{1)}$ [N]	SEW f_B					m [kg]	
1.5	36	400	39.61	5890	1.00	K	47	DT	90L4	35	444
	40	360	35.39	6360	1.10	KF	47	DT	90L4	38	445
	45	320	31.30	6310	1.25	KA	47	DT	90L4	34	446
						KAF	47	DT	90L4	37	445
	48	300	29.32	6270	1.35						
	54	265	25.91	6190	1.50						
	65	220	21.81	6050	1.80	K	47	DT	90L4	35	444
	72	199	19.58	5950	2.0	KF	47	DT	90L4	38	445
	84	171	16.86	5800	2.2	KA	47	DT	90L4	34	446
	89	161	15.86	5730	2.4	KAF	47	DT	90L4	37	445
	103	139	13.65	5560	2.6						
	116	124	12.19	5430	2.8						
	120	120	11.77	5340	2.3						
	60	235	23.36	2860	0.80						
	70	205	20.19	2920	0.90						
	82	174	17.15	2940	1.05						
	92	156	15.31	2950	1.10						
	108	133	13.08	2930	1.25	K	37	DT	90L4	27	439
	116	123	12.14	2920	1.30	KF	37	DT	90L4	30	440
	134	107	10.49	2880	1.50	KA	37	DT	90L4	27	441
158	91	8.91	2820	1.75	KAF	37	DT	90L4	29	440	
177	81	7.96	2770	1.90							
207	69	6.80	2700	2.2							
221	65	6.37	2670	2.2							
263	55	5.36	2580	2.6							
354	40	3.98	2420	3.1							
2.2	0.32	57700	4370	190000	0.85	K	187 R97	DV	100M4	1780	490
	0.50	36400	2818	190000	1.40	KH	187 R97	DV	100M4	1710	490
	0.39	49000	3609	190000	1.00						
	0.46	41600	3062	190000	1.20						
	0.56	34000	2519	190000	1.45	K	187 R97	DV	100M4	1780	490
	0.62	30400	2268	190000	1.65	KH	187 R97	DV	100M4	1710	490
	0.69	27400	2054	190000	1.80						
	0.77	24200	1821	190000	2.1						
	0.88	21400	1605	190000	2.3						
	0.51	36700	2755	150000	0.85	K	167 R97	DV	100M4	1200	490
	0.62	29500	2263	150000	1.10	KH	167 R97	DV	100M4	1160	490
	0.65	29600	2182	150000	1.10						
	0.83	23100	1704	150000	1.40						
	1.0	19100	1408	150000	1.65	K	167 R97	DV	100M4	1200	490
	1.1	17500	1296	150000	1.80	KH	167 R97	DV	100M4	1160	490
	1.3	14600	1101	150000	2.2						
	1.5	12600	944	150000	2.5						
	0.85	22500	1659	109600	0.80						
	1.0	18400	1365	112000	1.00	K	157 R97	DV	100M4	800	490
	1.2	16500	1229	112900	1.10	KF	157 R97	DV	100M4	880	490
	1.3	14700	1093	113700	1.25	KA	157 R97	DV	100M4	760	490
	1.5	12700	942	114500	1.40	KAF	157 R97	DV	100M4	820	490
	1.7	11400	854	114900	1.60						
	1.9	9880	756	115300	1.80						
	2.6	7200	536	81700	1.80	K	127 R87	DV	100M4	510	490
	3.0	6300	473	82000	2.1	KF	127 R87	DV	100M4	550	490
	3.4	5670	418	82100	2.3	KA	127 R87	DV	100M4	480	490
	3.8	4970	367	82300	2.6	KAF	127 R87	DV	100M4	520	490
	4.3	4460	330	82400	2.9						
	1.4	14100	1025	77800	0.90						
1.6	12300	899	79500	1.05							
1.8	10700	790	80400	1.20	K	127 R77	DV	100M4	485	490	
2.0	9640	704	80800	1.35	KF	127 R77	DV	100M4	530	490	
2.3	8330	610	81300	1.55	KA	127 R77	DV	100M4	460	490	
2.6	7510	549	81600	1.75	KAF	127 R77	DV	100M4	495	490	
3.0	6490	477	81900	2.0							
3.4	5720	418	82100	2.3							

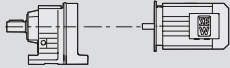



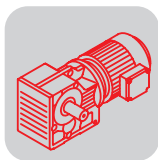
P _m [kW]	n _a [1/min]	M _a [Nm]	i	F _{Ra} ¹⁾ [N]	SEW f _B					m [kg]	
2.2	2.3	8390	615	65000	0.95						
	2.7	7120	522	65000	1.10						
	3.1	6270	461	65000	1.30	K	107 R77	DV	100M4	325	490
	3.5	5540	408	65000	1.45	KF	107 R77	DV	100M4	340	490
	3.9	4980	364	65000	1.60	KA	107 R77	DV	100M4	300	490
	4.4	4350	318	65000	1.85	KAF	107 R77	DV	100M4	325	490
	4.9	3910	286	65000	2.0						
	5.6	3430	251	65000	2.3						
	3.7	5260	382	39600	0.80						
	4.1	4680	342	40000	0.90	K	97 R57	DV	100M4	195	490
	4.6	4240	305	40000	1.00	KF	97 R57	DV	100M4	220	490
	5.5	3580	258	40000	1.20	KA	97 R57	DV	100M4	180	490
	6.1	3220	232	40000	1.35	KAF	97 R57	DV	100M4	205	490
	7.1	2760	199	40000	1.55						
	4.9	4310	143.47*	65000	1.85	K	107	DV	132S8	305	474
	5.8	3650	121.46	65000	2.2	KF	107	DV	132S8	315	475
	6.2	3370	112.41*	65000	2.4	KA	107	DV	132S8	275	476
	7.0	3020	100.75	65000	2.7	KAF	107	DV	132S8	300	475
	6.1	3420	153.21*	40000	1.25	K	97	DV	112M6	185	469
	6.7	3140	140.28	40000	1.35	KF	97	DV	112M6	205	470
7.6	2770	123.93*	40000	1.55	KA	97	DV	112M6	165	471	
8.9	2350	105.13	40000	1.85	KAF	97	DV	112M6	190	470	
8.0	2620	176.05*	40000	1.65	K	97	DV	100M4	175	469	
9.2	2280	153.21*	40000	1.90	KF	97	DV	100M4	195	470	
10	2090	140.28	40000	2.1	KA	97	DV	100M4	155	471	
11	1850	123.93*	40000	2.3	KAF	97	DV	100M4	180	470	
13	1570	105.13	40000	2.8	K	97	DV	100M4	175	469	
15	1440	96.80	40000	3.0	KF	97	DV	100M4	195	470	
					KA	97	DV	100M4	155	471	
					KAF	97	DV	100M4	180	470	
9.6	2200	147.32*	27900	1.25	K	87	DV	100M4	115	464	
11	1890	126.91*	28200	1.45	KF	87	DV	100M4	125	465	
12	1730	115.82	28300	1.55	KA	87	DV	100M4	105	466	
					KAF	87	DV	100M4	115	465	
14	1530	102.71*	28500	1.75	K	87	DV	100M4	115	464	
16	1290	86.34	28600	2.1	KF	87	DV	100M4	125	465	
18	1180	79.34	28700	2.3	KA	87	DV	100M4	105	466	
20	1050	70.46	28800	2.6	KAF	87	DV	100M4	115	465	
22	940	63.00*	28800	2.9							
12	1690	113.56	14300	0.90							
15	1450	97.05	16100	1.05	K	77	DV	100M4	78	459	
16	1330	88.97	16800	1.15	KF	77	DV	100M4	86	460	
18	1160	78.07	17600	1.35	KA	77	DV	100M4	71	461	
19	1100	73.99	17900	1.40	KAF	77	DV	100M4	79	460	
22	960	64.75	18400	1.60							
24	870	58.34	18800	1.80							
28	765	51.18	19100	2.0							
31	675	45.16	19300	2.3	K	77	DV	100M4	78	459	
35	595	40.04	19500	2.6	KF	77	DV	100M4	86	460	
40	525	35.20	19700	3.0	KA	77	DV	100M4	71	461	
46	460	30.89	19800	3.4	KAF	77	DV	100M4	79	460	
48	435	29.27	19800	3.6							
55	380	25.62	19900	4.1							

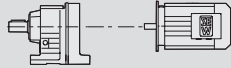



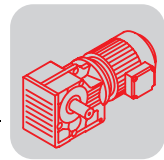
P_m [kW]	n_a [1/min]	M_a [Nm]	i	$F_{Ra}^{1)}$ [N]	SEW f_B					m [kg]	
2.2	23	900	60.66	9490	0.90						
	25	850	57.28	10000	0.95	K	67	DV	100M4	53	454
	29	725	48.77	11100	1.15	KF	67	DV	100M4	59	455
	32	660	44.32	11500	1.25	KA	67	DV	100M4	51	456
	37	570	38.39	12100	1.40	KAF	67	DV	100M4	56	455
	40	530	35.62	12300	1.55						
	47	450	30.22	12600	1.80						
	52	405	27.28	12800	2.0						
	59	360	24.00	13000	2.2						
	62	340	22.66	13000	2.3						
	73	285	19.30	13000	2.6						
	80	260	17.54	13000	2.8	K	67	DV	100M4	53	454
	93	225	15.19	13000	3.1	KF	67	DV	100M4	59	455
	107	197	13.22	13000	3.4	KA	67	DV	100M4	51	456
	113	186	12.48	13000	2.9	KAF	67	DV	100M4	56	455
	133	158	10.63	13000	3.2						
	146	144	9.66	13000	3.3						
	169	125	8.37	13000	3.5						
	194	109	7.28	12700	3.9						
	271	78	5.20	11700	4.5						
	32	660	44.43	5100	0.90	K	57	DV	100M4	48	449
	37	575	38.49	7850	1.05	KF	57	DV	100M4	52	450
	39	530	35.70	8180	1.15	KA	57	DV	100M4	45	451
	47	450	30.28	8250	1.35	KAF	57	DV	100M4	51	450
	52	405	27.34	8160	1.45						
	59	360	24.05	8030	1.65						
	62	340	22.71	7970	1.75	K	57	DV	100M4	48	449
73	290	19.34	7760	2.0	KF	57	DV	100M4	52	450	
80	260	17.57	7630	2.1	KA	57	DV	100M4	45	451	
93	225	15.22	7430	2.4	KAF	57	DV	100M4	51	450	
106	197	13.25	7220	2.6							
118	178	11.92	6890	2.3							
125	168	11.26	6810	2.5							
54	385	25.91	5260	1.05	K	47	DV	100M4	42	444	
65	325	21.81	5260	1.25	KF	47	DV	100M4	45	445	
72	290	19.58	5240	1.35	KA	47	DV	100M4	41	446	
					KAF	47	DV	100M4	44	445	
84	250	16.86	5190	1.50							
89	235	15.86	5160	1.60	K	47	DV	100M4	42	444	
103	205	13.65	5070	1.75	KF	47	DV	100M4	45	445	
116	182	12.19	4990	1.95	KA	47	DV	100M4	41	446	
120	175	11.77	4890	1.60	KAF	47	DV	100M4	44	445	
133	157	10.56	4810	1.80							
155	136	9.10	4690	2.1							
108	195	13.08	2370	0.85							
134	156	10.49	2430	1.00	K	37	DV	100M4	34	439	
158	133	8.91	2440	1.20	KF	37	DV	100M4	36	440	
177	119	7.96	2430	1.30	KA	37	DV	100M4	33	441	
207	101	6.80	2410	1.50	KAF	37	DV	100M4	35	440	
221	95	6.37	2400	1.55							
263	80	5.36	2350	1.75							
354	59	3.98	2250	2.1							
3.0	0.50	50800	2818	190000	1.00	K	187 R97	DV	100L4	1780	490
						KH	187 R97	DV	100L4	1720	490
	0.46	57500	3062	190000	0.85						
	0.56	47100	2519	190000	1.05						
	0.62	42200	2268	190000	1.20						
	0.68	38100	2054	190000	1.30	K	187 R97	DV	100L4	1780	490
	0.77	33600	1821	190000	1.50	KH	187 R97	DV	100L4	1710	490
	0.87	29800	1605	190000	1.70						
	1.0	25500	1395	190000	1.95						
	1.2	22100	1196	190000	2.3						
	0.82	31900	1704	150000	1.00						
	0.99	26400	1408	150000	1.20						
	1.1	24300	1296	150000	1.30	K	167 R97	DV	100L4	1200	490
	1.3	20300	1101	150000	1.55	KH	167 R97	DV	100L4	1160	490
	1.5	17500	944	150000	1.85						
	1.7	15400	843	150000	2.1						
	1.9	13900	757	150000	2.3						

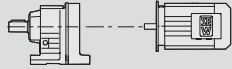



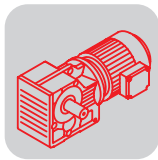
P_m [kW]	n_a [1/min]	M_a [Nm]	i	$F_{Ra}^{1)}$ [N]	SEW f_B		m [kg]		
3.0	1.1	22900	1229	109300	0.80				
	1.3	20400	1093	110900	0.90				
	1.5	17600	942	112400	1.05	K	157 R97	DV 100L4	810 490
	1.6	15800	854	113200	1.15	KF	157 R97	DV 100L4	880 490
	1.9	13800	756	114000	1.30	KA	157 R97	DV 100L4	770 490
	2.5	10500	567	115200	1.70	KAF	157 R97	DV 100L4	830 490
	2.8	9310	504	115500	1.95				
	2.6	9980	536	80700	1.30				
	3.0	8760	473	81200	1.50	K	127 R87	DV 100L4	510 490
	3.4	7870	418	81500	1.65	KF	127 R87	DV 100L4	550 490
3.8	6880	367	81800	1.90	KA	127 R87	DV 100L4	485 490	
4.2	6170	330	82000	2.1	KAF	127 R87	DV 100L4	520 490	
4.9	5300	287	82200	2.5					
1.8	14800	790	76300	0.90					
2.0	13300	704	79000	1.00	K	127 R77	DV 100L4	490 490	
2.3	11500	610	80000	1.15	KF	127 R77	DV 100L4	530 490	
2.6	10400	549	80500	1.25	KA	127 R77	DV 100L4	465 490	
2.9	8970	477	81100	1.45	KAF	127 R77	DV 100L4	500 490	
3.4	7900	418	81500	1.65					
3.0	8660	461	65000	0.90					
3.4	7660	408	65000	1.05					
3.9	6870	364	65000	1.15					
4.4	6000	318	65000	1.35					
4.9	5400	286	65000	1.50	K	107 R77	DV 100L4	330 490	
5.6	4730	251	65000	1.70	KF	107 R77	DV 100L4	340 490	
6.3	4170	222	65000	1.90	KA	107 R77	DV 100L4	305 490	
7.1	3690	196	65000	2.2	KAF	107 R77	DV 100L4	325 490	
8.1	3300	174	65000	2.2					
9.1	2920	154	65000	2.5					
10	2650	140	65000	2.7					
5.4	4930	258	40000	0.85	K	97 R57	DV 100L4	200 490	
6.0	4440	232	40000	0.95	KF	97 R57	DV 100L4	220 490	
7.0	3810	199	40000	1.15	KA	97 R57	DV 100L4	185 490	
					KAF	97 R57	DV 100L4	210 490	
5.0	5710	143.47*	65000	1.40					
5.9	4830	121.46	65000	1.65	K	107	DV 132M8	325 474	
6.4	4470	112.41*	65000	1.80	KF	107	DV 132M8	335 475	
7.2	4010	100.75	65000	2.0	KA	107	DV 132M8	295 476	
7.9	3620	90.96*	65000	2.2	KAF	107	DV 132M8	320 475	
6.5	4370	143.47*	65000	1.85	K	107	DV 132S6	305 474	
7.7	3700	121.46	65000	2.2	KF	107	DV 132S6	315 475	
8.4	3430	112.41*	65000	2.3	KA	107	DV 132S6	275 476	
9.3	3070	100.75	65000	2.6	KAF	107	DV 132S6	300 475	
9.8	2940	143.47*	65000	2.7	K	107	DV 100L4	295 474	
12	2490	121.46	65000	3.2	KF	107	DV 100L4	305 475	
					KA	107	DV 100L4	265 476	
					KAF	107	DV 100L4	290 475	
7.6	3780	123.93*	40000	1.15	K	97	DV 132S6	190 469	
8.9	3200	105.13	40000	1.35	KF	97	DV 132S6	210 470	
9.7	2950	96.80	40000	1.45	KA	97	DV 132S6	170 471	
11	2640	86.52	40000	1.65	KAF	97	DV 132S6	195 470	
8.0	3600	176.05*	40000	1.20	K	97	DV 100L4	175 469	
9.1	3140	153.21*	40000	1.35	KF	97	DV 100L4	200 470	
10	2870	140.28	40000	1.50	KA	97	DV 100L4	160 471	
11	2540	123.93*	40000	1.70	KAF	97	DV 100L4	185 470	
13	2150	105.13	40000	2.0					
14	1980	96.80	40000	2.2					
16	1770	86.52	40000	2.4	K	97	DV 100L4	175 469	
18	1590	77.89*	40000	2.7	KF	97	DV 100L4	200 470	
20	1440	70.54	40000	3.0	KA	97	DV 100L4	160 471	
22	1280	62.55	40000	3.4	KAF	97	DV 100L4	185 470	
25	1160	56.55	40000	3.7					
9.5	3010	147.32*	26900	0.90	K	87	DV 100L4	120 464	
11	2600	126.91*	27400	1.05	KF	87	DV 100L4	130 465	
12	2370	115.82	27700	1.15	KA	87	DV 100L4	105 466	
14	2100	102.71*	28000	1.30	KAF	87	DV 100L4	120 465	

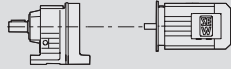



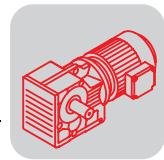
P_m [kW]	n_a [1/min]	M_a [Nm]	i	$F_{Ra}^{1)}$ [N]	SEW f_B					m [kg]	
3.0	16	1770	86.34	28300	1.55						
	18	1620	79.34	28400	1.65						
	20	1440	70.46	28500	1.85	K	87	DV	100L4	120	464
	22	1290	63.00*	28600	2.1	KF	87	DV	100L4	130	465
	25	1160	56.64	28700	2.3	KA	87	DV	100L4	105	466
	28	1010	49.16	28800	2.7	KAF	87	DV	100L4	120	465
	32	900	44.02	28800	2.9						
	38	745	36.52*	28400	3.4						
	16	1820	88.97	13100	0.85						
	18	1600	78.07	15000	0.95	K	77	DV	100L4	82	459
	19	1510	73.99	15600	1.00	KF	77	DV	100L4	90	460
	22	1330	64.75	16800	1.15	KA	77	DV	100L4	75	461
	24	1190	58.34	17500	1.30	KAF	77	DV	100L4	83	460
	27	1050	51.18	18100	1.50						
	31	920	45.16	18600	1.70	K	77	DV	100L4	82	459
	35	820	40.04	18900	1.90	KF	77	DV	100L4	90	460
	40	720	35.20	19200	2.2	KA	77	DV	100L4	75	461
	45	630	30.89	19400	2.5	KAF	77	DV	100L4	83	460
	32	910	44.32	9450	0.90						
	36	785	38.39	10600	1.00	K	67	DV	100L4	57	454
	39	730	35.62	11100	1.15	KF	67	DV	100L4	63	455
	46	620	30.22	11800	1.35	KA	67	DV	100L4	55	456
	51	560	27.28	12100	1.45	KAF	67	DV	100L4	60	455
	58	490	24.00	12500	1.65						
	62	465	22.66	12600	1.70						
	73	395	19.30	12800	1.95						
	80	360	17.54	13000	2.1	K	67	DV	100L4	57	454
	92	310	15.19	13000	2.3	KF	67	DV	100L4	63	455
	106	270	13.22	13000	2.5	KA	67	DV	100L4	55	456
	112	255	12.48	13000	2.1	KAF	67	DV	100L4	60	455
	132	220	10.63	13000	2.3						
	145	198	9.66	13000	2.4						
	46	620	30.28	7180	0.95	K	57	DV	100L4	52	449
	51	560	27.34	7190	1.05	KF	57	DV	100L4	56	450
	58	490	24.05	7180	1.20	KA	57	DV	100L4	49	451
					KAF	57	DV	100L4	55	450	
62	465	22.71	7160	1.30							
72	395	19.34	7080	1.45							
80	360	17.57	7020	1.55							
92	310	15.22	6890	1.70							
106	270	13.25	6750	1.90	K	57	DV	100L4	52	449	
117	245	11.92	6420	1.70	KF	57	DV	100L4	56	450	
124	230	11.26	6370	1.80	KA	57	DV	100L4	49	451	
146	196	9.59	6200	2.1	KAF	57	DV	100L4	55	450	
161	178	8.71	6090	2.2							
186	154	7.55	5920	2.4							
213	134	6.57	5750	2.6							
298	96	4.69	5320	3.1							
72	400	19.58	4430	1.00	K	47	DV	100L4	46	444	
83	345	16.86	4490	1.10	KF	47	DV	100L4	49	445	
88	325	15.86	4500	1.15	KA	47	DV	100L4	45	446	
					KAF	47	DV	100L4	48	445	
103	280	13.65	4510	1.30							
115	250	12.19	4490	1.40							
119	240	11.77	4370	1.15							
133	215	10.56	4350	1.30	K	47	DV	100L4	46	444	
154	186	9.10	4290	1.50	KF	47	DV	100L4	49	445	
164	175	8.56	4270	1.55	KA	47	DV	100L4	45	446	
190	151	7.36	4190	1.65	KAF	47	DV	100L4	48	445	
213	135	6.58	4120	1.80							
241	119	5.81	4030	1.95							
302	95	4.64	3860	2.2							
157	182	8.91	2000	0.90							
176	163	7.96	2040	0.95	K	37	DV	100L4	38	439	
206	139	6.80	2080	1.10	KF	37	DV	100L4	40	440	
220	130	6.37	2080	1.10	KA	37	DV	100L4	37	441	
261	110	5.36	2090	1.30	KAF	37	DV	100L4	39	440	
352	81	3.98	2050	1.55							

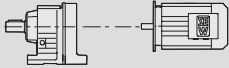



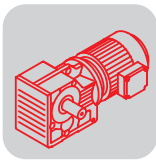
P_m [kW]	n_a [1/min]	M_a [Nm]	i	$F_{Ra}^{1)}$ [N]	SEW f_B					m [kg]	
4.0	1.7	20100	835	190000	2.5	K	187 R107	DV	112M4	1830	490
	2.7	12600	520	190000	4.0	KH	187 R107	DV	112M4	1770	490
	0.56	62200	2519	190000	0.80						
	0.63	55900	2268	190000	0.90						
	0.69	50500	2054	190000	1.00						
	0.78	44600	1821	190000	1.10						
	0.88	39400	1605	190000	1.25	K	187 R97	DV	112M4	1790	490
	1.0	33900	1395	190000	1.50	KH	187 R97	DV	112M4	1720	490
	1.2	29300	1196	190000	1.70						
	1.4	25600	1046	190000	1.95						
	1.5	23100	945	190000	2.2						
	1.0	34900	1408	150000	0.90						
	1.1	32100	1296	150000	1.00						
	1.3	26900	1101	150000	1.20						
	1.5	23200	944	150000	1.40	K	167 R97	DV	112M4	1210	490
	1.7	20500	843	150000	1.55	KH	167 R97	DV	112M4	1170	490
	1.9	18500	757	150000	1.75						
	2.2	15500	632	150000	2.1						
	1.7	21000	854	110600	0.85	K	157 R97	DV	112M4	810	490
	1.9	18300	756	112000	1.00	KF	157 R97	DV	112M4	890	490
	2.5	13900	567	114000	1.30	KA	157 R97	DV	112M4	780	490
	2.8	12300	504	114600	1.45	KAF	157 R97	DV	112M4	830	490
	3.3	10500	434	115100	1.70						
	2.6	13200	536	79100	1.00						
	3.0	11600	473	79900	1.10	K	127 R87	DV	112M4	520	490
	3.4	10400	418	80500	1.25	KF	127 R87	DV	112M4	560	490
	3.9	9090	367	81100	1.45	KA	127 R87	DV	112M4	490	490
	4.3	8160	330	81400	1.60	KAF	127 R87	DV	112M4	530	490
	5.0	7020	287	81800	1.85						
	5.6	6210	253	82000	2.1						
	2.3	15200	610	75600	0.85	K	127 R77	DV	112M4	495	490
	2.6	13700	549	78600	0.95	KF	127 R77	DV	112M4	540	490
	3.0	11800	477	79800	1.10	KA	127 R77	DV	112M4	470	490
	3.4	10400	418	80500	1.25	KAF	127 R77	DV	112M4	510	490
	3.9	9050	364	65000	0.90						
	4.5	7910	318	65000	1.00						
	5.0	7120	286	65000	1.10	K	107 R77	DV	112M4	335	490
	5.7	6240	251	65000	1.30	KF	107 R77	DV	112M4	350	490
	6.4	5500	222	65000	1.45	KA	107 R77	DV	112M4	310	490
	7.2	4870	196	65000	1.65	KAF	107 R77	DV	112M4	335	490
8.2	4360	174	65000	1.65							
9.2	3860	154	65000	1.85							
10	3500	140	65000	2.1							
7.1	5020	199	39900	0.85	K	97 R57	DV	112M4	210	490	
					KF	97 R57	DV	112M4	230	490	
					KA	97 R57	DV	112M4	190	490	
					KAF	97 R57	DV	112M4	215	490	
5.3	7220	136.14	81700	1.80	K	127	DV	132ML8	490	478	
5.9	6500	122.48	81900	2.0	KF	127	DV	132ML8	530	479	
6.5	5850	110.18	82100	2.2	KA	127	DV	132ML8	460	480	
					KAF	127	DV	132ML8	500	479	
6.6	5810	146.07	82100	2.2	K	127	DV	132M6	480	478	
7.0	5420	136.14	82200	2.4	KF	127	DV	132M6	520	479	
7.8	4870	122.48	82300	2.7	KA	127	DV	132M6	450	480	
8.7	4380	110.18	82400	3.0	KAF	127	DV	132M6	490	479	
6.4	5960	112.41*	65000	1.35	K	107	DV	132ML8	335	474	
7.2	5340	100.75	65000	1.50	KF	107	DV	132ML8	345	475	
7.9	4830	90.96*	65000	1.65	KA	107	DV	132ML8	305	476	
8.7	4380	82.61	65000	1.85	KAF	107	DV	132ML8	330	475	
6.7	5710	143.47*	65000	1.40							
7.9	4830	121.46	65000	1.65	K	107	DV	132M6	325	474	
8.5	4470	112.41*	65000	1.80	KF	107	DV	132M6	335	475	
9.5	4010	100.75	65000	2.0	KA	107	DV	132M6	295	476	
11	3620	90.96*	65000	2.2	KAF	107	DV	132M6	320	475	



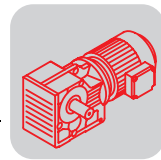
P_m [kW]	n_a [1/min]	M_a [Nm]	i	$F_{Ra}^{1)}$ [N]	SEW f_B					m [kg]		
4.0	9.9	3860	143.47*	65000	2.1							
	12	3270	121.46	65000	2.5							
	13	3020	112.41*	65000	2.7	K	107	DV	112M4	300	474	
	14	2710	100.75	65000	3.0	KF	107	DV	112M4	310	475	
	16	2450	90.96*	65000	3.3	KA	107	DV	112M4	270	476	
	17	2220	82.61	65000	3.6	KAF	107	DV	112M4	295	475	
	19	1970	73.30	65000	4.1							
	9.3	4120	153.21*	40000	1.05	K	97	DV	112M4	185	469	
	10	3770	140.28	40000	1.15	KF	97	DV	112M4	205	470	
	11	3330	123.93*	40000	1.30	KA	97	DV	112M4	165	471	
						KAF	97	DV	112M4	190	470	
	14	2830	105.13	40000	1.50	K	97	DV	112M4	185	469	
	15	2600	96.80	40000	1.65	KF	97	DV	112M4	205	470	
	16	2330	86.52	40000	1.85	KA	97	DV	112M4	165	471	
	18	2100	77.89*	40000	2.1	KAF	97	DV	112M4	190	470	
	20	1900	70.54	40000	2.3							
	12	3120	115.82	26700	0.85	K	87	DV	112M4	125	464	
	14	2760	102.71*	27200	1.00	KF	87	DV	112M4	135	465	
	16	2320	86.34	27700	1.15	KA	87	DV	112M4	110	466	
	18	2130	79.34	27900	1.25	KAF	87	DV	112M4	125	465	
	20	1900	70.46	28200	1.40							
	23	1690	63.00*	28300	1.60	K	87	DV	112M4	125	464	
	25	1520	56.64	28500	1.75	KF	87	DV	112M4	135	465	
	29	1320	49.16	28600	2.0	KA	87	DV	112M4	110	466	
	32	1180	44.02	28300	2.2	KAF	87	DV	112M4	125	465	
	39	980	36.52*	27300	2.5							
	22	1740	64.75	13900	0.90							
	24	1570	58.34	15200	1.00	K	77	DV	112M4	88	459	
	28	1380	51.18	16500	1.15	KF	77	DV	112M4	96	460	
	31	1210	45.16	17400	1.30	KA	77	DV	112M4	81	461	
	35	1080	40.04	18000	1.45	KAF	77	DV	112M4	89	460	
	37	1030	38.39	18200	1.45							
	40	950	35.20	18500	1.65							
	46	830	30.89	18900	1.85	K	77	DV	112M4	88	459	
	49	785	29.27	19000	1.95	KF	77	DV	112M4	96	460	
	55	690	25.62	19300	2.3	KA	77	DV	112M4	81	461	
	62	620	23.08	19500	2.5	KAF	77	DV	112M4	89	460	
	70	545	20.25	19600	2.8							
	47	810	30.22	10400	1.00	K	67	DV	112M4	64	454	
	52	735	27.28	11000	1.10	KF	67	DV	112M4	70	455	
	59	645	24.00	11600	1.25	KA	67	DV	112M4	62	456	
	63	610	22.66	11800	1.30	KAF	67	DV	112M4	67	455	
	74	520	19.30	12300	1.45							
	81	470	17.54	12500	1.55							
	94	410	15.19	12800	1.70							
	107	355	13.22	13000	1.90	K	67	DV	112M4	64	454	
	114	335	12.48	13000	1.60	KF	67	DV	112M4	70	455	
	134	285	10.63	13000	1.75	KA	67	DV	112M4	62	456	
	147	260	9.66	12900	1.85	KAF	67	DV	112M4	67	455	
	170	225	8.37	12500	1.95							
	195	196	7.28	12100	2.1							
	273	140	5.20	11200	2.5							
	59	645	24.05	6120	0.95							
	63	610	22.71	6160	1.00							
	73	520	19.34	6220	1.10							
	81	475	17.57	6230	1.15							
	93	410	15.22	6210	1.30							
	107	355	13.25	6150	1.45	K	57	DV	112M4	59	449	
	119	320	11.92	5810	1.30	KF	57	DV	112M4	63	450	
	126	305	11.26	5790	1.35	KA	57	DV	112M4	56	451	
	148	260	9.59	5700	1.55	KAF	57	DV	112M4	62	450	
	163	235	8.71	5640	1.65							
	188	205	7.55	5530	1.80							
	216	177	6.57	5400	1.95							
	303	126	4.69	5070	2.4							

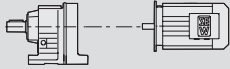



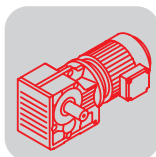
P_m [kW]	n_a [1/min]	M_a [Nm]	i	$F_{Ra}^{1)}$ [N]	SEW f_B		m [kg]				
5.5	0.79	61300	1821	190000	0.80						
	0.89	54200	1605	190000	0.90						
	1.0	46700	1395	190000	1.05						
	1.2	40300	1196	190000	1.25	K	187 R97	DV	132S4	1790	490
	1.4	35200	1046	190000	1.40	KH	187 R97	DV	132S4	1730	490
	1.5	31700	945	190000	1.60						
	1.9	24800	738	190000	2.0						
	2.3	20800	621	190000	2.4						
	1.3	37100	1101	150000	0.85						
	1.5	31900	944	150000	1.00						
	1.7	28200	843	150000	1.15						
	1.9	25400	757	150000	1.25	K	167 R97	DV	132S4	1210	490
	2.3	21300	632	150000	1.50	KH	167 R97	DV	132S4	1170	490
	2.6	18700	561	150000	1.70						
	3.0	16200	481	150000	2.0						
	3.4	14100	423	150000	2.3						
	2.2	22000	661	109900	0.80						
	2.5	19100	567	111600	0.95	K	157 R97	DV	132S4	820	490
	2.8	17000	504	112700	1.05	KF	157 R97	DV	132S4	900	490
	3.3	14500	434	113800	1.25	KA	157 R97	DV	132S4	780	490
3.8	12600	379	114500	1.45	KAF	157 R97	DV	132S4	840	490	
4.3	11100	333	115000	1.60							
3.4	14300	418	77400	0.90							
3.9	12500	367	79500	1.05							
4.3	11200	330	80100	1.15	K	127 R87	DV	132S4	520	490	
5.0	9650	287	80800	1.35	KF	127 R87	DV	132S4	570	490	
5.6	8540	253	81300	1.50	KA	127 R87	DV	132S4	495	490	
6.7	7170	213	81700	1.80	KAF	127 R87	DV	132S4	530	490	
7.1	6830	200	81800	1.75							
8.6	5660	166	82100	2.1							
9.8	4990	147	82300	2.4							
6.5	7540	222	65000	1.05	K	107 R77	DV	132S4	345	490	
7.3	6680	196	65000	1.20	KF	107 R77	DV	132S4	355	490	
8.2	5970	174	65000	1.20	KA	107 R77	DV	132S4	315	490	
9.3	5280	154	65000	1.35	KAF	107 R77	DV	132S4	340	490	
10	4800	140	65000	1.50							
4.7	11100	150.41	115000	1.60	K	157	DV	160M8	730	482	
5.8	9050	122.39	115500	2.0	KF	157	DV	160M8	810	483	
7.1	7410	100.22	115900	2.4	KA	157	DV	160M8	700	484	
7.8	6780	91.65	116000	2.7	KAF	157	DV	160M8	760	483	
5.2	10100	136.14	80700	1.30	K	127	DV	160M8	495	478	
5.8	9060	122.48	81100	1.45	KF	127	DV	160M8	540	479	
6.4	8150	110.18	81400	1.60	KA	127	DV	160M8	465	480	
7.9	6650	89.89	81900	1.95	KAF	127	DV	160M8	500	479	
7.0	7450	136.14	81600	1.75	K	127	DV	132ML6	490	478	
7.8	6700	122.48	81900	1.95	KF	127	DV	132ML6	530	479	
8.7	6030	110.18	82100	2.2	KA	127	DV	132ML6	460	480	
11	4920	89.89	82300	2.6	KAF	127	DV	132ML6	500	479	
8.5	6150	112.41*	65000	1.30	K	107	DV	132ML6	335	474	
9.5	5510	100.75	65000	1.45	KF	107	DV	132ML6	345	475	
11	4980	90.96*	65000	1.60	KA	107	DV	132ML6	305	476	
12	4520	82.61	65000	1.75	KAF	107	DV	132ML6	330	475	
10	5270	143.47*	65000	1.50							
12	4460	121.46	65000	1.80	K	107	DV	132S4	305	474	
13	4130	112.41*	65000	1.95	KF	107	DV	132S4	315	475	
14	3700	100.75	65000	2.2	KA	107	DV	132S4	275	476	
16	3340	90.96*	65000	2.4	KAF	107	DV	132S4	300	475	
17	3030	82.61	65000	2.6							

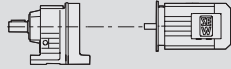



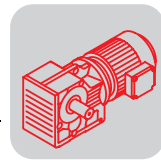
P _m [kW]	n _a [1/min]	M _a [Nm]	i	F _{Ra} ¹⁾ [N]	SEW f _B					m [kg]		
5.5	12	4550	123.93*	40000	0.95	K	97	DV	132S4	190	469	
	14	3860	105.13	40000	1.10	KF	97	DV	132S4	210	470	
	15	3560	96.80	40000	1.20	KA	97	DV	132S4	170	471	
	17	3180	86.52	40000	1.35	KAF	97	DV	132S4	195	470	
	18	2860	77.89*	40000	1.50	K	97	DV	132S4	190	469	
	20	2590	70.54	40000	1.65	KF	97	DV	132S4	210	470	
	23	2300	62.55	40000	1.85	KA	97	DV	132S4	170	471	
	25	2080	56.55	39700	2.1	KAF	97	DV	132S4	195	470	
	30	1760	47.93*	38600	2.4							
	17	3170	86.34	26600	0.85	K	87	DV	132S4	130	464	
	18	2910	79.34	27000	0.95	KF	87	DV	132S4	140	465	
	20	2590	70.46	27400	1.05	KA	87	DV	132S4	120	466	
	23	2310	63.00*	27500	1.15	KAF	87	DV	132S4	130	465	
	25	2080	56.64	27300	1.30							
	29	1810	49.16	26900	1.50	K	87	DV	132S4	130	464	
	32	1620	44.02	26500	1.60	KF	87	DV	132S4	140	465	
	39	1340	36.52*	25800	1.85	KA	87	DV	132S4	120	466	
	46	1150	31.39	25200	2.3	KAF	87	DV	132S4	130	465	
	51	1020	27.88	24700	2.5							
	32	1660	45.16	14600	0.95	K	77	DV	132S4	95	459	
	36	1470	40.04	15900	1.05	KF	77	DV	132S4	105	460	
	46	1130	30.89	17800	1.35	KA	77	DV	132S4	88	461	
	49	1070	29.27	18000	1.45	KAF	77	DV	132S4	96	460	
	56	940	25.62	18500	1.65							
	62	850	23.08	18800	1.85							
	71	745	20.25	19100	2.0	K	77	DV	132S4	95	459	
	80	655	17.87	19400	2.2	KF	77	DV	132S4	105	460	
	90	580	15.84	19200	2.4	KA	77	DV	132S4	88	461	
	106	495	13.52	18600	2.7	KAF	77	DV	132S4	96	460	
	116	455	12.36	17900	2.2							
	132	400	10.84	17400	2.5							
	60	880	24.00	9720	0.90	K	67	DV	132S4	69	454	
	63	830	22.66	10200	0.95	KF	67	DV	132S4	75	455	
	74	710	19.30	11200	1.05	KA	67	DV	132S4	67	456	
	82	645	17.54	11600	1.15	KAF	67	DV	132S4	72	455	
	94	560	15.19	12100	1.25							
	108	485	13.22	12500	1.40							
	115	460	12.48	12600	1.15	K	67	DV	132S4	69	454	
	135	390	10.63	12400	1.30	KF	67	DV	132S4	75	455	
	148	355	9.66	12200	1.35	KA	67	DV	132S4	67	456	
	171	305	8.37	11900	1.45	KAF	67	DV	132S4	72	455	
	196	265	7.28	11600	1.55							
	275	191	5.20	10800	1.85							
	7.5	1.7	38200	835	190000	1.30	K	187 R107	DV	132M4	1860	490
		2.0	33200	729	190000	1.50	KH	187 R107	DV	132M4	1790	490
		2.3	28300	622	190000	1.75						
		1.2	55200	1196	190000	0.90						
		1.4	48200	1046	190000	1.05	K	187 R97	DV	132M4	1810	490
1.5		43500	945	190000	1.15	KH	187 R97	DV	132M4	1750	490	
1.9		34000	738	190000	1.45							
2.3		28600	621	190000	1.75							
2.7		24200	527	190000	2.1							
1.7		38700	843	150000	0.85							
1.9		34900	757	150000	0.90	K	167 R97	DV	132M4	1230	490	
2.3		29200	632	150000	1.10	KH	167 R97	DV	132M4	1190	490	
2.6		25600	561	150000	1.25							
3.0		22200	481	150000	1.45							
3.4		19400	423	150000	1.65							
3.9		16900	369	150000	1.90							
3.3		19900	434	111200	0.90	K	157 R97	DV	132M4	840	490	
3.8		17400	379	112500	1.05	KF	157 R97	DV	132M4	920	490	
4.3		15300	333	113500	1.20	KA	157 R97	DV	132M4	800	490	
4.9		13300	291	114200	1.35	KAF	157 R97	DV	132M4	860	490	

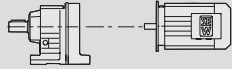



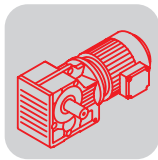
P_m [kW]	n_a [1/min]	M_a [Nm]	i	$F_{Ra}^{1)}$ [N]	SEW f_B		m [kg]				
7.5	4.3	15300	330	75300	0.85						
	5.0	13200	287	79100	1.00						
	5.6	11700	253	79900	1.10						
	6.7	9830	213	80800	1.30						
	7.1	9360	200	80900	1.30						
	8.6	7750	166	81500	1.55						
	9.8	6840	147	81800	1.75						
	4.4	16400	164.50	150000	1.95	K	167	DV	160L8	1160	486
	5.3	13400	134.99	150000	2.4	KH	167	DV	160L8	1120	487
	5.8	12300	164.50	150000	2.6	K	167	DV	160M6	1130	486
	7.1	10100	134.99	150000	3.2	KH	167	DV	160M6	1090	487
	6.4	11200	150.41	114900	1.60	K	157	DV	160M6	730	482
	7.8	9130	122.39	115500	1.95	KF	157	DV	160M6	810	483
	9.6	7480	100.22	115900	2.4	KA	157	DV	160M6	700	484
	10	6840	91.65	116000	2.6	KAF	157	DV	160M6	760	483
	12	5950	79.75	116200	3.0						
	7.0	10200	136.14	80600	1.30	K	127	DV	160M6	495	478
	7.8	9140	122.48	81000	1.40	KF	127	DV	160M6	540	479
	8.7	8220	110.18	81400	1.60	KA	127	DV	160M6	465	480
	11	6710	89.89	81900	1.95	KAF	127	DV	160M6	500	479
9.8	7320	146.07	81700	1.80							
11	6820	136.14	81800	1.90							
12	6130	122.48	82000	2.1	K	127	DV	132M4	480	478	
13	5520	110.18	82200	2.4	KF	127	DV	132M4	520	479	
16	4500	89.89	82400	2.9	KA	127	DV	132M4	450	480	
17	4110	81.98	82500	3.2	KAF	127	DV	132M4	490	479	
20	3550	70.95*	82600	3.7							
10	7190	143.47*	65000	1.10	K	107	DV	132M4	325	474	
12	6080	121.46	65000	1.30	KF	107	DV	132M4	335	475	
13	5630	112.41*	65000	1.40	KA	107	DV	132M4	295	476	
					KAF	107	DV	132M4	320	475	
14	5050	100.75	65000	1.60							
16	4560	90.96*	64200	1.75							
17	4140	82.61	63200	1.95							
20	3670	73.30	61900	2.2	K	107	DV	132M4	325	474	
22	3330	66.52*	60900	2.4	KF	107	DV	132M4	335	475	
25	2860	57.17*	59100	2.8	KA	107	DV	132M4	295	476	
29	2500	49.90	57500	3.1	KAF	107	DV	132M4	320	475	
34	2120	42.33*	55500	3.5							
39	1850	37.00*	53800	3.9							
15	4850	96.80	38300	0.90	K	97	DV	132M4	210	469	
17	4330	86.52	38300	1.00	KF	97	DV	132M4	230	470	
18	3900	77.89*	38100	1.10	KA	97	DV	132M4	190	471	
20	3530	70.54	37900	1.20	KAF	97	DV	132M4	215	470	
23	3130	62.55	37500	1.35							
25	2830	56.55	37100	1.50							
30	2400	47.93*	36400	1.80	K	97	DV	132M4	210	469	
34	2100	41.87	35600	2.1	KF	97	DV	132M4	230	470	
37	1920	38.30	35100	2.2	KA	97	DV	132M4	190	471	
42	1710	34.23	34400	2.5	KAF	97	DV	132M4	215	470	
23	3160	63.00*	24100	0.85	K	87	DV	132M4	150	464	
25	2840	56.64	24200	0.95	KF	87	DV	132M4	160	465	
29	2460	49.16	24200	1.10	KA	87	DV	132M4	140	466	
32	2200	44.02	24200	1.20	KAF	87	DV	132M4	155	465	
39	1830	36.52*	23900	1.35							
46	1570	31.39	23500	1.70							
51	1400	27.88	23200	1.85							
57	1250	24.92	22800	2.0	K	87	DV	132M4	150	464	
64	1120	22.41	22500	2.1	KF	87	DV	132M4	160	465	
74	970	19.45	21900	2.4	KA	87	DV	132M4	140	466	
82	870	17.42	21500	2.5	KAF	87	DV	132M4	155	465	
89	800	16.00	20600	2.3							
99	725	14.45	20700	2.9							

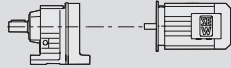



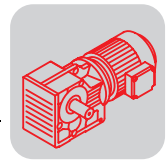
P_m [kW]	n_a [1/min]	M_a [Nm]	i	$F_{Ra}^{1)}$ [N]	SEW f_B					m [kg]			
7.5	46	1550	30.89	15400	1.00								
	49	1470	29.27	16000	1.05	K	77	DV	132M4	115	459		
	56	1280	25.62	17000	1.20	KF	77	DV	132M4	125	460		
	62	1160	23.08	17700	1.35	KA	77	DV	132M4	110	461		
	71	1010	20.25	18300	1.50	KAF	77	DV	132M4	115	460		
	80	890	17.87	18600	1.60								
	90	795	15.84	18200	1.75								
	106	675	13.52	17800	2.0	K	77	DV	132M4	115	459		
	116	620	12.36	17000	1.60	KF	77	DV	132M4	125	460		
	132	545	10.84	16700	1.80	KA	77	DV	132M4	110	461		
	150	480	9.56	16300	1.95	KAF	77	DV	132M4	115	460		
	169	425	8.48	15900	2.1								
	198	365	7.24	15400	2.3								
	9.2	1.7	46700	835	190000	1.05							
		2.0	40600	729	190000	1.25							
		2.3	34600	622	190000	1.45	K	187 R107	DV	132ML4	1870	490	
		2.8	29400	520	190000	1.70	KH	187 R107	DV	132ML4	1800	490	
		3.2	25600	454	190000	1.95							
1.4		58900	1046	190000	0.85								
1.5		53200	945	190000	0.95								
1.9		41600	738	190000	1.20	K	187 R97	DV	132ML4	1820	490		
2.3		34900	621	190000	1.45	KH	187 R97	DV	132ML4	1760	490		
2.7		29500	527	190000	1.70								
4.5		18000	318	150000	1.80								
5.2		15600	278	150000	2.1								
5.9		13500	244	150000	2.4	K	167 R107	DV	132ML4	1290	490		
6.8		11800	213	150000	2.7	KH	167 R107	DV	132ML4	1250	490		
7.0		11500	206	150000	2.8								
2.3		35600	632	150000	0.90								
2.6		31400	561	150000	1.00	K	167 R97	DV	132ML4	1240	490		
3.0		27100	481	150000	1.20	KH	167 R97	DV	132ML4	1200	490		
3.4		23700	423	150000	1.35								
3.9		20700	369	150000	1.55								
3.7		21300	385	110400	0.85	K	157 R107	DV	132ML4	890	490		
4.4		17900	325	112300	1.00	KF	157 R107	DV	132ML4	970	490		
4.8		16600	299	112800	1.10	KA	157 R107	DV	132ML4	860	490		
5.7		14100	253	114000	1.30	KAF	157 R107	DV	132ML4	920	490		
6.2		12600	230	114500	1.40								
3.8		21200	379	110400	0.85	K	157 R97	DV	132ML4	850	490		
4.3		18700	333	111800	0.95	KF	157 R97	DV	132ML4	930	490		
5.0		16300	291	113000	1.10	KA	157 R97	DV	132ML4	810	490		
						KAF	157 R97	DV	132ML4	870	490		
5.7		14300	253	77400	0.90	K	127 R87	DV	132ML4	550	490		
6.8		12000	213	79700	1.10	KF	127 R87	DV	132ML4	600	490		
7.2		11400	200	80000	1.05	KA	127 R87	DV	132ML4	530	490		
8.7		9460	166	80900	1.25	KAF	127 R87	DV	132ML4	560	490		
9.8		8350	147	81300	1.45								
11		8310	136.14	81300	1.55	K	127	DV	132ML4	490	478		
12		7470	122.48	81600	1.75	KF	127	DV	132ML4	530	479		
13		6720	110.18	81900	1.95	KA	127	DV	132ML4	460	480		
16		5480	89.89	82200	2.4	KAF	127	DV	132ML4	500	479		
18		5000	81.98	82300	2.6								
13		6860	112.41*	62400	1.15	K	107	DV	132ML4	335	474		
14		6150	100.75	61800	1.30	KF	107	DV	132ML4	345	475		
16		5550	90.96*	61100	1.45	KA	107	DV	132ML4	305	476		
					KAF	107	DV	132ML4	330	475			
17	5040	82.61	60400	1.60									
20	4470	73.30	59400	1.80	K	107	DV	132ML4	335	474			
22	4060	66.52*	58600	1.95	KF	107	DV	132ML4	345	475			
25	3490	57.17*	57100	2.3	KA	107	DV	132ML4	305	476			
29	3040	49.90	55700	2.6	KAF	107	DV	132ML4	330	475			
34	2580	42.33*	54000	2.9									

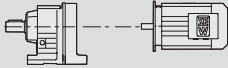



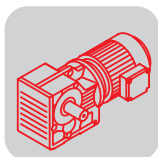
P_m [kW]	n_a [1/min]	M_a [Nm]	i	$F_{Ra}^{1)}$ [N]	SEW f_B					m [kg]		
9.2	18	4750	77.89*	35100	0.90	K	97	DV	132ML4	220	469	
	20	4300	70.54	35100	1.00	KF	97	DV	132ML4	240	470	
	23	3820	62.55	35100	1.15	KA	97	DV	132ML4	200	471	
	25	3450	56.55	34900	1.25	KAF	97	DV	132ML4	225	470	
	30	2920	47.93*	34400	1.45							
	34	2550	41.87	34000	1.70							
	38	2340	38.30	33600	1.85	K	97	DV	132ML4	220	469	
	42	2090	34.23	33100	2.1	KF	97	DV	132ML4	240	470	
	47	1880	30.82	32500	2.3	KA	97	DV	132ML4	200	471	
	52	1700	27.91	32000	2.5	KAF	97	DV	132ML4	225	470	
	58	1510	24.75	31300	2.9							
	29	3000	49.16	22000	0.90	K	87	DV	132ML4	160	464	
	33	2690	44.02	22200	0.95	KF	87	DV	132ML4	170	465	
	39	2230	36.52*	22200	1.10	KA	87	DV	132ML4	150	466	
	46	1910	31.39	22100	1.40	KAF	87	DV	132ML4	160	465	
	52	1700	27.88	21900	1.55							
	58	1520	24.92	21700	1.65							
	64	1370	22.41	21400	1.70							
	74	1190	19.45	21000	1.95	K	87	DV	132ML4	160	464	
	83	1060	17.42	20700	2.1	KF	87	DV	132ML4	170	465	
	90	980	16.00	19700	1.85	KA	87	DV	132ML4	150	466	
	100	880	14.45	20000	2.4	KAF	87	DV	132ML4	160	465	
	115	765	12.56	19500	2.6							
	129	680	11.17	18600	2.2							
	144	610	10.00	18200	2.5							
	62	1410	23.08	16300	1.10	K	77	DV	132ML4	125	459	
	71	1240	20.25	17300	1.20	KF	77	DV	132ML4	135	460	
	81	1090	17.87	17600	1.35	KA	77	DV	132ML4	120	461	
	91	970	15.84	17400	1.45	KAF	77	DV	132ML4	125	460	
	107	820	13.52	17000	1.60							
	117	755	12.36	16300	1.35	K	77	DV	132ML4	125	459	
	133	660	10.84	16000	1.50	KF	77	DV	132ML4	135	460	
	151	585	9.56	15700	1.60	KA	77	DV	132ML4	120	461	
	170	515	8.48	15400	1.70	KAF	77	DV	132ML4	125	460	
	199	440	7.24	14900	1.85							
	11.0	1.7	56000	835	190000	0.90						
		2.0	48700	729	190000	1.05						
		2.3	41600	622	190000	1.20	K	187 R107	DV	160M4	1870	490
		2.8	35200	520	190000	1.40	KH	187 R107	DV	160M4	1810	490
		3.2	30700	454	190000	1.65						
		4.0	23700	355	190000	2.1						
		1.9	49800	738	190000	1.00						
		2.3	41800	621	190000	1.20	K	187 R97	DV	160M4	1830	490
		2.7	35400	527	190000	1.40	KH	187 R97	DV	160M4	1760	490
		4.5	21500	318	150000	1.50						
		5.2	18800	278	150000	1.70						
		5.9	16200	244	150000	1.95	K	167 R107	DV	160M4	1290	490
		6.8	14200	213	150000	2.3	KH	167 R107	DV	160M4	1250	490
7.0		13800	206	150000	2.3							
2.6		37600	561	150000	0.85							
3.0		32400	481	150000	1.00	K	167 R97	DV	160M4	1250	490	
3.4		28400	423	150000	1.15	KH	167 R97	DV	160M4	1210	490	
3.9		24800	369	150000	1.30							
4.3		22400	333	109700	0.80	K	157 R97	DV	160M4	850	490	
5.0		19500	291	111400	0.90	KF	157 R97	DV	160M4	930	490	
						KA	157 R97	DV	160M4	820	490	
						KAF	157 R97	DV	160M4	870	490	
6.8		14400	213	77200	0.90	K	127 R87	DV	160M4	560	490	
7.2		13700	200	78600	0.90	KF	127 R87	DV	160M4	600	490	
8.7		11300	166	80100	1.05	KA	127 R87	DV	160M4	530	490	
9.8		10000	147	80700	1.20	KAF	127 R87	DV	160M4	570	490	
5.3		19700	134.99	150000	1.60	K	167	DV	180L8	1200	486	
6.6		16000	109.83	150000	2.0	KH	167	DV	180L8	1160	487	

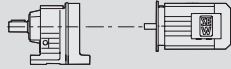



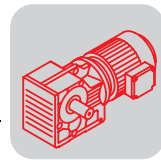
P_m [kW]	n_a [1/min]	M_a [Nm]	i	$F_{Ra}^{1)}$ [N]	SEW f_B					m [kg]	
11.0	5.8	18000	164.50	150000	1.80	K	167	DV	160L6	1160	486
	7.1	14800	134.99	150000	2.2	KH	167	DV	160L6	1120	487
	8.8	12000	164.50	150000	2.7	K	167	DV	160M4	1130	486
	11	9850	134.99	150000	3.3	KH	167	DV	160M4	1090	487
	5.9	17900	122.39	112300	1.00	K	157	DV	180L8	800	482
	7.2	14600	100.22	113700	1.25	KF	157	DV	180L8	880	483
	7.9	13400	91.65	114200	1.35	KA	157	DV	180L8	770	484
	9.0	11600	79.75	114800	1.55	KAF	157	DV	180L8	830	483
	6.4	16500	150.41	112900	1.10	K	157	DV	160L6	770	482
	7.8	13400	122.39	114200	1.35	KF	157	DV	160L6	850	483
	9.6	11000	100.22	115000	1.65	KA	157	DV	160L6	730	484
	10	10000	91.65	115300	1.80	KAF	157	DV	160L6	790	483
	12	8730	79.75	115600	2.1						
	9.6	11000	150.41	115000	1.65	K	157	DV	160M4	730	482
	12	8930	122.39	115600	2.0	KF	157	DV	160M4	810	483
	14	7310	100.22	115900	2.5	KA	157	DV	160M4	700	484
	16	6690	91.65	116000	2.7	KAF	157	DV	160M4	760	483
	11	9930	136.14	80700	1.30						
	12	8930	122.48	81100	1.45	K	127	DV	160M4	495	478
	13	8040	110.18	81400	1.60	KF	127	DV	160M4	540	479
	16	6560	89.89	81900	2.0	KA	127	DV	160M4	465	480
	18	5980	81.98	82100	2.2	KAF	127	DV	160M4	500	479
	20	5180	70.95*	82300	2.5						
	13	8200	112.41*	58400	1.00	K	107	DV	160M4	340	474
	14	7350	100.75	58300	1.10	KF	107	DV	160M4	350	475
	16	6630	90.96*	58000	1.20	KA	107	DV	160M4	310	476
	17	6030	82.61	57500	1.35	KAF	107	DV	160M4	335	475
	20	5350	73.30	56900	1.50						
	22	4850	66.52*	56200	1.65	K	107	DV	160M4	340	474
	25	4170	57.17*	55100	1.90	KF	107	DV	160M4	350	475
	29	3640	49.90	54000	2.2	KA	107	DV	160M4	310	476
	34	3090	42.33*	52500	2.4	KAF	107	DV	160M4	335	475
	39	2700	37.00*	51200	2.7						
	20	5150	70.54	32200	0.85	K	97	DV	160M4	225	469
	23	4560	62.55	32500	0.95	KF	97	DV	160M4	245	470
	25	4130	56.55	32500	1.05	KA	97	DV	160M4	205	471
	30	3500	47.93*	32500	1.25	KAF	97	DV	160M4	230	470
	34	3050	41.87	32200	1.40						
	38	2790	38.30	32000	1.55	K	97	DV	160M4	225	469
	42	2500	34.23	31600	1.70	KF	97	DV	160M4	245	470
47	2250	30.82	31300	1.90	KA	97	DV	160M4	205	471	
52	2040	27.91	30800	2.1	KAF	97	DV	160M4	230	470	
58	1800	24.75	30300	2.4							
64	1630	22.37	29800	2.6							
33	3210	44.02	20000	0.80	K	87	DV	160M4	165	464	
39	2660	36.52*	20400	0.95	KF	87	DV	160M4	175	465	
46	2290	31.39	20600	1.20	KA	87	DV	160M4	155	466	
52	2030	27.88	20600	1.30	KAF	87	DV	160M4	165	465	
58	1820	24.92	20500	1.40							
64	1630	22.41	20300	1.40							
74	1420	19.45	20100	1.60							
83	1270	17.42	19800	1.75							
90	1170	16.00	18800	1.55	K	87	DV	160M4	165	464	
100	1050	14.45	19400	2.0	KF	87	DV	160M4	175	465	
115	920	12.56	18900	2.2	KA	87	DV	160M4	155	466	
129	810	11.17	18000	1.85	KAF	87	DV	160M4	165	465	
144	730	10.00	17700	2.1							
174	605	8.29	17100	2.3							
200	525	7.21	16700	2.5							

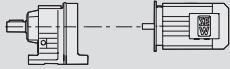



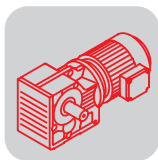
P_m [kW]	n_a [1/min]	M_a [Nm]	i	$F_{Ra}^{1)}$ [N]	SEW f_B		m [kg]		
11.0	62	1680	23.08	14400	0.90				
	71	1480	20.25	15900	1.00				
	81	1300	17.87	16600	1.10				
	91	1160	15.84	16500	1.20	K 77	DV 160M4	130	459
	107	990	13.52	16300	1.35	KF 77	DV 160M4	135	460
	117	900	12.36	15500	1.10	KA 77	DV 160M4	120	461
	133	790	10.84	15300	1.25	KAF 77	DV 160M4	130	460
	151	700	9.56	15100	1.35				
	170	620	8.48	14800	1.45				
199	530	7.24	14500	1.55					
15.0	2.4	56200	622	190000	0.90				
	2.8	47600	520	190000	1.05				
	3.2	41400	454	190000	1.20	K 187 R107	DV 160L4	1920	490
	4.1	32000	355	190000	1.55	KH 187 R107	DV 160L4	1850	490
	5.6	23800	261	190000	2.1				
	4.6	29100	318	150000	1.10				
	5.3	25300	278	150000	1.25				
	6.0	22000	244	150000	1.45				
	6.9	19200	213	150000	1.65	K 167 R107	DV 160L4	1330	490
	7.1	18700	206	150000	1.70	KH 167 R107	DV 160L4	1300	490
	8.1	16100	180	150000	2.0				
	9.2	14600	160	150000	2.2				
	6.3	20600	230	110800	0.85				
	6.9	19400	213	111500	0.95	K 157 R107	DV 160L4	940	490
	7.8	16700	187	112800	1.05	KF 157 R107	DV 160L4	1020	490
	9.3	14200	157	113900	1.25	KA 157 R107	DV 160L4	900	490
	12	11100	122	115000	1.60	KAF 157 R107	DV 160L4	960	490
	14	9710	107	115400	1.85				
	5.4	26600	179.86	190000	1.90	K 187	DV 180L6	1780	488
	5.9	24400	165.21	190000	2.1	KH 187	DV 180L6	1710	489
	7.2	19900	134.99	150000	1.60	K 167	DV 180L6	1200	486
	8.8	16200	109.83	150000	1.95	KH 167	DV 180L6	1160	487
	8.9	16100	164.50	150000	2.0	K 167	DV 160L4	1160	486
	11	13200	134.99	150000	2.4	KH 167	DV 160L4	1120	487
	7.9	18100	122.39	112200	1.00				
	9.7	14800	100.22	113700	1.20	K 157	DV 180L6	800	482
	11	13500	91.65	114100	1.35	KF 157	DV 180L6	880	483
	12	11800	79.75	114800	1.55	KA 157	DV 180L6	770	484
	14	10400	70.38	115200	1.75	KAF 157	DV 180L6	830	483
	9.7	14800	150.41	113700	1.20				
	12	12000	122.39	114700	1.50	K 157	DV 160L4	770	482
	15	9830	100.22	114200	1.85	KF 157	DV 160L4	850	483
	16	8990	91.65	112500	2.0	KA 157	DV 160L4	730	484
18	7820	79.75	109600	2.3	KAF 157	DV 160L4	790	483	
11	13400	136.14	79000	0.95	K 127	DV 160L4	530	478	
12	12000	122.48	79700	1.10	KF 127	DV 160L4	570	479	
13	10800	110.18	80300	1.20	KA 127	DV 160L4	500	480	
					KAF 127	DV 160L4	540	479	
16	8820	89.89	81200	1.45					
18	8040	81.98	81400	1.60	K 127	DV 160L4	530	478	
21	6960	70.95*	81600	1.85	KF 127	DV 160L4	570	479	
23	6140	62.60	80000	2.1	KA 127	DV 160L4	500	480	
27	5300	54.07	78000	2.5	KAF 127	DV 160L4	540	479	
31	4690	47.82	76200	2.8					

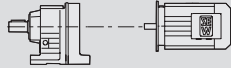



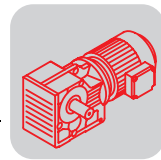
P_m [kW]	n_a [1/min]	M_a [Nm]	i	$F_{Ra}^{1)}$ [N]	SEW f_B					m [kg]	
15.0	16	8920	90.96*	50900	0.90	K	107	DV	160L4	380	474
	18	8110	82.61	51100	1.00	KF	107	DV	160L4	390	475
	20	7190	73.30	51200	1.10	KA	107	DV	160L4	350	476
	22	6530	66.52*	51000	1.25	KAF	107	DV	160L4	375	475
	26	5610	57.17*	50600	1.45	K KF KA KAF	107	DV	160L4	380	474
	29	4900	49.90	50000	1.60						
	34	4150	42.33*	49100	1.75						
	39	3630	37.00*	48200	2.0						
	45	3210	32.69	47300	2.3						
	47	3070	31.28*	47000	2.2						
	50	2840	29.00	46400	2.5	K KF KA KAF	97	DV	160L4	265	469
	30	4700	47.93*	28100	0.90						
	35	4110	41.87	28400	1.05						
	38	3760	38.30	28500	1.15						
	43	3360	34.23	28500	1.30	K KF KA KAF	97	DV	160L4	285	470
	47	3020	30.82	28400	1.40						
	52	2740	27.91	28300	1.55						
	59	2430	24.75	28000	1.75						
	65	2190	22.37	27700	1.95	K KF KA KAF	97	DV	160L4	245	471
	77	1860	18.96	27200	2.3						
	88	1620	16.56	26600	2.7						
	47	3080	31.39	17300	0.90						
	52	2730	27.88	17600	0.95						
	59	2440	24.92	17800	1.00						
65	2200	22.41	18000	1.05							
75	1910	19.45	18000	1.20	K KF KA KAF	87	DV	160L4	215	465	
84	1710	17.42	18000	1.30							
91	1570	16.00	16800	1.15							
101	1420	14.45	17800	1.50							
116	1230	12.56	17600	1.60	K KF KA KAF	87	DV	160L4	190	466	
131	1100	11.17	16600	1.35							
146	980	10.00	16400	1.55							
176	810	8.29	16000	1.70							
202	705	7.21	15700	1.85	K KH	187 R107	DV	180M4	1940	490	
18.5	2.8	58600	520	190000							0.85
	3.2	51100	454	190000							1.00
	4.1	39500	355	190000							1.25
	5.6	29400	261	190000	1.70						
	6.6	24800	221	190000	2.0	K KH	167 R107	DV	180M4	1350	490
	4.6	35800	318	150000	0.90						
	5.3	31200	278	150000	1.00						
	6.0	27100	244	150000	1.20						
	6.9	23600	213	150000	1.35						
	7.1	23000	206	150000	1.40						
	8.1	19900	180	150000	1.60						
	9.2	18000	160	150000	1.80						
	11	15200	135	150000	2.1	K KF KA KAF	157 R107	DV	180M4	960	490
	12	13200	118	150000	2.4						
	7.8	20700	187	110700	0.85						
	9.3	17500	157	112400	1.05						
	12	13700	122	113900	1.30	K KH	187	DV	200LS6	1850	488
	14	12000	107	112000	1.50						
	5.4	32800	179.86	190000	1.55						
	5.9	30100	165.21	190000	1.65						
	6.7	26300	144.59	190000	1.90	K KH	187	DV	180M4	1770	488
	7.5	23600	129.69	190000	2.1						
	8.2	21700	179.86	190000	2.3						
	8.9	19900	165.21	190000	2.5						
10	17400	144.59	190000	2.9	K KH	187	DV	180M4	1700	489	
11	15600	129.69	190000	3.2							
11	16300	134.99	150000	1.95							
13	13200	109.83	150000	2.4							
17	10600	87.86	150000	3.0	K KH	167	DV	180M4	1180	486	





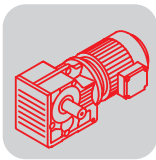
P_m [kW]	n_a [1/min]	M_a [Nm]	i	$F_{Ra}^{1)}$ [N]	SEW f_B		m [kg]		
18.5	9.7	18300	100.22	112100	1.00	K 157	DV 200LS6	870	482
	11	16700	91.65	112800	1.10	KF 157	DV 200LS6	950	483
	12	14500	79.75	111500	1.25	KA 157	DV 200LS6	830	484
	14	12800	70.38	109900	1.40	KAF 157	DV 200LS6	890	483
	12	14800	122.39	111600	1.20				
	15	12100	100.22	109100	1.50				
	16	11100	91.65	107800	1.65	K 157	DV 180M4	790	482
	18	9620	79.75	105600	1.85	KF 157	DV 180M4	870	483
	21	8490	70.38	103400	2.1	KA 157	DV 180M4	750	484
	24	7360	61.02	100700	2.5	KAF 157	DV 180M4	810	483
	27	6550	54.29	98500	2.8				
	31	5640	46.79	95500	3.2				
	39	4580	38.02	91300	3.9				
	13	13300	110.18	79000	1.00	K 127	DV 180M4	550	478
	16	10800	89.89	79000	1.20	KF 127	DV 180M4	600	479
	18	9890	81.98	78500	1.30	KA 127	DV 180M4	520	480
						KAF 127	DV 180M4	560	479
	21	8560	70.95*	77500	1.50				
	23	7550	62.60	76400	1.70				
	27	6520	54.07	74800	2.0	K 127	DV 180M4	550	478
	31	5770	47.82	73400	2.3	KF 127	DV 180M4	600	479
	36	4850	40.19	71300	2.7	KA 127	DV 180M4	520	480
	40	4370	36.25	69900	3.0	KAF 127	DV 180M4	560	479
	47	3780	31.37	68000	3.4				
	53	3340	27.68	66200	3.9				
	20	8840	73.30	46300	0.90	K 107	DV 180M4	400	474
	22	8020	66.52*	46600	1.00	KF 107	DV 180M4	410	475
	26	6890	57.17*	46800	1.15	KA 107	DV 180M4	375	476
	29	6020	49.90	46700	1.30	KAF 107	DV 180M4	395	475
	35	5100	42.33*	46300	1.45				
	40	4460	37.00*	45700	1.60				
	45	3940	32.69	45100	1.85	K 107	DV 180M4	400	474
	47	3770	31.28*	44900	1.80	KF 107	DV 180M4	410	475
	51	3500	29.00	44400	2.1	KA 107	DV 180M4	375	476
	56	3170	26.32	43800	2.3	KAF 107	DV 180M4	395	475
	65	2730	22.62	42700	2.6				
	74	2380	19.74	41700	3.0				
	88	2020	16.75	40400	3.5				
	35	5050	41.87	25100	0.85	K 97	DV 180M4	285	469
	48	3720	30.82	26000	1.15	KF 97	DV 180M4	305	470
	53	3360	27.91	26000	1.30	KA 97	DV 180M4	270	471
	59	2980	24.75	26000	1.45	KAF 97	DV 180M4	295	470
	65	2700	22.37	25900	1.60				
	77	2290	18.96	25700	1.90	K 97	DV 180M4	285	469
	88	2000	16.56	25300	2.2	KF 97	DV 180M4	305	470
	106	1670	13.85	24800	2.6	KA 97	DV 180M4	270	471
	122	1450	11.99	24300	2.7	KAF 97	DV 180M4	295	470
	59	3000	24.92	15600	0.85				
	65	2700	22.41	15900	0.85				
	75	2340	19.45	16200	1.00				
	84	2100	17.42	16400	1.05	K 87	DV 180M4	225	464
	101	1740	14.45	16500	1.20	KF 87	DV 180M4	235	465
	117	1510	12.56	16400	1.30	KA 87	DV 180M4	215	466
	131	1350	11.17	15400	1.10	KAF 87	DV 180M4	225	465
	147	1210	10.00	15300	1.25				
	177	1000	8.29	15100	1.40				
	203	870	7.21	14900	1.50				
22	3.2	60800	454	190000	0.80				
	4.1	47100	355	190000	1.05				
	5.6	35000	261	190000	1.45	K 187 R107	DV 180L4	1950	490
	6.6	29600	221	190000	1.70	KH 187 R107	DV 180L4	1880	490
	7.6	25800	193	190000	1.95				
	9.0	21800	163	190000	2.3				

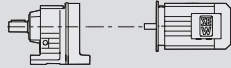



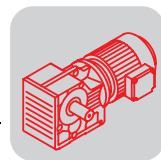
P_m [kW]	n_a [1/min]	M_a [Nm]	i	$F_{Ra}^{1)}$ [N]	SEW f_B		m [kg]				
22	5.3	37200	278	150000	0.85						
	6.0	32300	244	150000	1.00						
	6.9	28200	213	150000	1.15						
	7.1	27500	206	150000	1.15	K	167 R107	DV	180L4	1370	490
	8.1	23800	180	150000	1.35	KH	167 R107	DV	180L4	1330	490
	9.2	21400	160	150000	1.50						
	11	18100	135	150000	1.75						
	12	15800	118	150000	2.0						
	9.3	20900	157	109400	0.85	K	157 R107	DV	180L4	980	490
	12	16400	122	108100	1.10	KF	157 R107	DV	180L4	1050	490
	14	14300	107	107000	1.25	KA	157 R107	DV	180L4	940	490
						KAF	157 R107	DV	180L4	1000	490
	5.4	39000	179.86	190000	1.30						
	5.9	35800	165.21	190000	1.40						
	6.7	31300	144.59	190000	1.60	K	187	DV	200L6	1860	488
	7.5	28100	129.69	190000	1.80	KH	187	DV	200L6	1790	489
	8.6	24400	112.60	190000	2.1						
	8.2	25800	179.86	190000	1.95						
	8.9	23700	165.21	190000	2.1	K	187	DV	180L4	1780	488
10	20700	144.59	190000	2.4	KH	187	DV	180L4	1710	489	
11	18600	129.69	190000	2.7							
11	19400	134.99	150000	1.65							
13	15700	109.83	150000	2.0	K	167	DV	180L4	1200	486	
17	12600	87.86	150000	2.5	KH	167	DV	180L4	1160	487	
19	11200	78.14	150000	2.9							
9.7	21700	100.22	105900	0.85	K	157	DV	200L6	880	482	
11	19900	91.65	105900	0.90	KF	157	DV	200L6	960	483	
12	17300	79.75	105500	1.05	KA	157	DV	200L6	850	484	
14	15200	70.38	104600	1.20	KAF	157	DV	200L6	910	483	
16	13200	61.02	103300	1.35							
12	17600	122.39	105500	1.05							
15	14400	100.22	104100	1.25							
16	13100	91.65	103200	1.35	K	157	DV	180L4	800	482	
18	11400	79.75	101600	1.55	KF	157	DV	180L4	880	483	
21	10100	70.38	99800	1.80	KA	157	DV	180L4	770	484	
24	8750	61.02	97700	2.1	KAF	157	DV	180L4	830	483	
27	7790	54.29	95800	2.3							
31	6710	46.79	93200	2.7							
39	5450	38.02	89400	3.3							
16	12900	89.89	73900	1.00	K	127	DV	180L4	570	478	
18	11800	81.98	73800	1.10	KF	127	DV	180L4	610	479	
21	10200	70.95*	73400	1.30	KA	127	DV	180L4	540	480	
23	8980	62.60	72800	1.45	KAF	127	DV	180L4	580	479	
27	7750	54.07	71700	1.70							
31	6860	47.82	70700	1.90							
36	5760	40.19	69000	2.3	K	127	DV	180L4	570	478	
40	5200	36.25	67800	2.5	KF	127	DV	180L4	610	479	
47	4500	31.37	66200	2.9	KA	127	DV	180L4	540	480	
53	3970	27.68	64600	3.3	KAF	127	DV	180L4	580	479	
61	3430	23.91	62800	3.8							
69	3030	21.15	61200	4.3							
26	8200	57.17*	43000	1.00	K	107	DV	180L4	415	474	
29	7160	49.90	43300	1.10	KF	107	DV	180L4	425	475	
35	6070	42.33*	43400	1.20	KA	107	DV	180L4	385	476	
					KAF	107	DV	180L4	410	475	
40	5310	37.00*	43200	1.35							
45	4690	32.69	42900	1.55							
47	4490	31.28*	42800	1.50							
51	4160	29.00	42500	1.75							
56	3770	26.32	42000	1.90	K	107	DV	180L4	415	474	
65	3240	22.62	41200	2.2	KF	107	DV	180L4	425	475	
74	2830	19.74	40400	2.5	KA	107	DV	180L4	385	476	
88	2400	16.75	39300	2.9	KAF	107	DV	180L4	410	475	
100	2100	14.64	38400	3.3							
109	1930	13.43	36800	2.2							
125	1680	11.73	35900	2.6							
147	1430	9.94	34800	2.9							



P_m [kW]	n_a [1/min]	M_a [Nm]	i	$F_{Ra}^{1)}$ [N]	SEW f_B					m [kg]	
22	48	4420	30.82	23500	0.95	K	97	DV	180L4	300	469
	53	4000	27.91	23800	1.05	KF	97	DV	180L4	320	470
	59	3550	24.75	24100	1.20	KA	97	DV	180L4	285	471
	65	3210	22.37	24200	1.35	KAF	97	DV	180L4	310	470
	77	2720	18.96	24100	1.60						
	88	2370	16.56	24000	1.80	K	97	DV	180L4	300	469
	106	1990	13.85	23700	2.2	KF	97	DV	180L4	320	470
	122	1720	11.99	23300	2.3	KA	97	DV	180L4	285	471
	141	1490	10.41	21800	1.90	KAF	97	DV	180L4	310	470
	168	1250	8.71	21300	2.1						
	75	2790	19.45	14400	0.80						
	84	2500	17.42	14800	0.90						
	101	2070	14.45	15100	1.00	K	87	DV	180L4	240	464
	117	1800	12.56	15300	1.10	KF	87	DV	180L4	250	465
	131	1600	11.17	14200	0.95	KA	87	DV	180L4	230	466
	147	1430	10.00	14200	1.05	KAF	87	DV	180L4	240	465
	177	1190	8.29	14300	1.20						
	203	1030	7.21	14200	1.25						
30	5.6	47700	261	190000	1.05						
	6.6	40400	221	190000	1.25	K	187 R107	DV	200L4	2030	490
	7.6	35200	193	190000	1.40	KH	187 R107	DV	200L4	1970	490
	9.0	29700	163	190000	1.70						
	6.9	38400	213	150000	0.85						
	7.1	37500	206	150000	0.85						
	8.2	32400	180	150000	1.00	K	167 R107	DV	200L4	1450	490
	9.2	29100	160	150000	1.10	KH	167 R107	DV	200L4	1410	490
	11	24700	135	150000	1.30						
	12	21500	118	150000	1.50						
	8.2	35100	179.86	190000	1.45						
	8.9	32200	165.21	190000	1.55						
	10	28200	144.59	190000	1.75						
	11	25300	129.69	190000	2.0	K	187	DV	200L4	1860	488
	13	21900	112.60	190000	2.3	KH	187	DV	200L4	1790	489
	14	19900	102.16	190000	2.5						
	17	17200	88.00	190000	2.9						
	13	21400	109.83	150000	1.50						
	17	17100	87.86	150000	1.85	K	167	DV	200L4	1280	486
	19	15200	78.14	150000	2.1	KH	167	DV	200L4	1240	487
	22	13300	68.07	150000	2.4						
	24	11800	60.74	150000	2.7						
	15	19500	100.22	92700	0.90						
	16	17900	91.65	92800	1.00						
	18	15500	79.75	92400	1.15	K	157	DV	200L4	880	482
	21	13700	70.38	91800	1.30	KF	157	DV	200L4	960	483
	24	11900	61.02	90700	1.50	KA	157	DV	200L4	850	484
	27	10600	54.29	89500	1.70	KAF	157	DV	200L4	910	483
	31	9120	46.79	87800	1.95						
	39	7410	38.02	85100	2.4						
	47	6100	31.30	82200	3.0						
	21	13800	70.95*	64200	0.95						
	23	12200	62.60	64600	1.05						
	27	10500	54.07	64700	1.25						
	31	9320	47.82	64400	1.40	K	127	DV	200L4	650	478
	37	7830	40.19	63700	1.65	KF	127	DV	200L4	700	479
41	7060	36.25	63100	1.85	KA	127	DV	200L4	630	480	
47	6110	31.37	62000	2.1	KAF	127	DV	200L4	660	479	
53	5390	27.68	61000	2.4							
62	4660	23.91	59600	2.8							

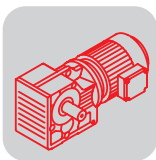


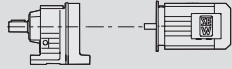

P _m [kW]	n _a [1/min]	M _a [Nm]	i	F _{Ra} ¹⁾ [N]	SEW f _B					m [kg]	
						K	187	DV	250M4		
55	10	51500	144.59	187400	0.95						
	11	46200	129.69	190000	1.10						
	13	40100	112.60	188500	1.25						
	14	36400	102.16	187100	1.35						
	17	31300	88.00	184200	1.60						
	20	26300	73.96	180200	1.90						
	23	22800	64.04	176300	2.2						
	17	31300	87.86	145300	1.00						
	19	27800	78.14	144600	1.15						
	22	24200	68.07	143300	1.30						
	24	21600	60.74	141700	1.50						
	28	18400	51.77	139100	1.75						
	34	15300	42.89	135400	2.1						
	40	13000	36.61	131900	2.5						
	24	21700	61.02	69000	0.85						
	27	19300	54.29	70200	0.95						
	32	16700	46.79	71200	1.10						
	39	13500	38.02	71500	1.35						
	47	11100	31.30	71000	1.60						
	53	9840	27.62	70400	1.85						
62	8530	23.95	69400	2.1							
69	7590	21.31	68400	2.4							
80	6540	18.37	67000	2.8							
99	5310	14.92	64800	3.4							
117	4510	12.65	62900	3.8							
37	14300	40.19	47400	0.90							
47	11200	31.37	49300	1.15							
53	9850	27.68	49700	1.30							
62	8510	23.91	49900	1.55							
70	7530	21.15	49800	1.75							
83	6330	17.77	49300	2.1							
103	5110	14.35	48300	2.4							
115	4550	12.79	45900	1.85							
137	3830	10.74	45000	2.1							
170	3090	8.68	43600	2.3							
75	11	62800	129.69	164100	0.80						
	13	54500	112.60	166100	0.90						
	14	49400	102.16	166600	1.00						
	17	42600	88.00	166600	1.15						
	20	35800	73.96	165300	1.40						
	23	31000	64.04	163400	1.60						
	28	25800	53.36	160100	1.95						
	33	22000	45.50*	156700	2.3						
	19	37800	78.14	126100	0.85						
	22	32900	68.07	127100	0.95						
	24	29400	60.74	127300	1.10						
	29	25100	51.77	126800	1.30						
	35	20800	42.89	125200	1.55						
	40	17700	36.61	123200	1.80						
	46	15600	32.25	121300	2.1						
	51	13900	28.77	119300	2.3						
	60	11900	24.52	116300	2.7						
	39	18400	38.02	60800	1.00						
	47	15100	31.30	62200	1.20						
	54	13400	27.62	62600	1.35						
62	11600	23.95	62600	1.55							
69	10300	21.31	62400	1.75							
81	8890	18.37	61800	2.0							
99	7220	14.92	60500	2.5							
117	6120	12.65	59300	2.8							

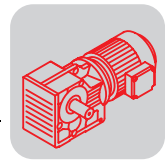


P _m [kW]	n _a [1/min]	M _a [Nm]	i	F _{Ra} ¹⁾ [N]	SEW f _B					m [kg]	
75	47	15200	31.37	39200	0.85						
	53	13400	27.68	40800	0.95						
	62	11600	23.91	42200	1.10						
	70	10200	21.15	42900	1.25	K	127	DV	280S4	990	478
	83	8600	17.77	43500	1.50	KF	127	DV	280S4	1030	479
	103	6940	14.35	43700	1.75	KA	127	DV	280S4	960	480
	116	6190	12.79	41100	1.40	KAF	127	DV	280S4	1000	479
	138	5200	10.74	41000	1.55						
171	4200	8.68	40400	1.70							
90	14	59300	102.16	151300	0.85						
	17	51100	88.00	153400	1.00						
	20	42900	73.96	154200	1.15						
	23	37200	64.04	153800	1.35						
	28	31000	53.36	152200	1.60	K	187	D	280M4	2280	488
	33	26400	45.50*	149900	1.90	KH	187	D	280M4	2210	489
	35	24700	42.51	148700	2.0						
	38	22400	38.57	146900	2.2						
	22	39500	68.07	115100	0.80						
	24	35300	60.74	116600	0.90						
	29	30100	51.77	117600	1.05						
	35	24900	42.89	117600	1.30						
	40	21300	36.61	116700	1.50	K	167	D	280M4	1690	486
	46	18700	32.25	115500	1.70	KH	167	D	280M4	1660	487
	51	16700	28.77	114200	1.90						
	60	14200	24.52	111900	2.3						
	73	11800	20.32	108800	2.7						
	85	10100	17.34	106000	3.2						
	39	22100	38.02	52700	0.80						
	47	18200	31.30	55500	1.00						
	54	16000	27.62	56700	1.10	K	157	D	280M4	1300	482
	62	13900	23.95	57500	1.30	KF	157	D	280M4	1380	483
	69	12400	21.31	57900	1.45	KA	157	D	280M4	1260	484
	81	10700	18.37	57900	1.70	KAF	157	D	280M4	1320	483
99	8670	14.92	57400	2.1							
117	7350	12.65	56600	2.3							
62	13900	23.91	36400	0.95							
70	12300	21.15	37800	1.05	K	127	D	280M4	1070	478	
83	10300	17.77	39200	1.25	KF	127	D	280M4	1110	479	
103	8330	14.35	40200	1.45	KA	127	D	280M4	1040	480	
116	7420	12.79	37600	1.15	KAF	127	D	280M4	1080	479	
138	6240	10.74	38000	1.30							
171	5040	8.68	38000	1.45							
110	17	62300	88.00	136000	0.80						
	20	52300	73.96	139500	0.95						
	23	45300	64.04	141000	1.10						
	28	37700	53.36	141500	1.30						
	33	32200	45.50*	140800	1.55	K	187	D	315S4	2460	488
	35	30100	42.51	140200	1.65	KH	187	D	315S4	2400	489
	39	27300	38.57	139100	1.85						
	45	23500	33.23	137000	2.1						
	53	19800	27.92	134000	2.5						
	29	36600	51.77	105500	0.85						
	35	30300	42.89	107500	1.05						
	41	25900	36.61	108100	1.25						
	46	22800	32.25	107900	1.40	K	167	D	315S4	1880	486
	52	20400	28.77	107400	1.55	KH	167	D	315S4	1840	487
	61	17300	24.52	106100	1.85						
	73	14400	20.32	104000	2.2						
	86	12300	17.34	101800	2.6						
	62	16900	23.95	50800	1.05	K	157	D	315S4	1490	482
	70	15100	21.31	51900	1.20	KF	157	D	315S4	1560	483
	81	13000	18.37	52700	1.40	KA	157	D	315S4	1450	484
	100	10600	14.92	53100	1.70	KAF	157	D	315S4	1510	483
	117	8950	12.65	53000	1.90						

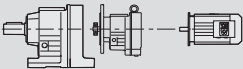

10

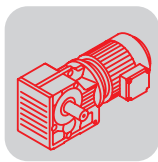


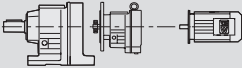

P_m [kW]	n_a [1/min]	M_a [Nm]	i	$F_{Ra}^{1)}$ [N]	SEW f_B					m [kg]		
132	20	62800	73.96	123300	0.80	K KH	187 187	D D	315M4 315M4	2560 2500	488 489	
	23	54400	64.04	127000	0.90							
	28	45300	53.36	129800	1.10							
	33	38600	45.50*	130800	1.30							
	35	36100	42.51	130900	1.40							
	39	32700	38.57	130700	1.55							
	45	28200	33.23	129800	1.75							
	53	23700	27.92	127900	2.1							
	61	20500	24.18	125900	2.3							
	74	17100	20.15	122800	2.6							
	86	14600	17.18	119700	2.8							
	35	36400	42.89	96400	0.90	K KH	167 167	D D	315M4 315M4	1980 1940	486 487	
	41	31100	36.61	98600	1.05							
	46	27400	32.25	99600	1.15							
	52	24400	28.77	99900	1.30							
	61	20800	24.52	99800	1.55							
	73	17200	20.32	98700	1.85							
	86	14700	17.34	97300	2.2							
62	20300	23.95	43400	0.90	K KF KA KAF	157 157 157 157	D D D D	315M4 315M4 315M4 315M4	1590 1660 1550 1610	482 483 484 483		
70	18100	21.31	45300	1.00								
81	15600	18.37	47000	1.15								
100	12700	14.92	48500	1.40								
117	10700	12.65	49100	1.60								
160	28	54900	53.36	114900	0.90	K KH	187 187	D D	315M4A 315M4A	2560 2500	488 489	
	33	46800	45.50*	118100	1.05							
	45	34200	33.23	120500	1.45							
	53	28700	27.92	120100	1.75							
	61	24900	24.18	119100	1.90							
	74	20700	20.15	117200	2.1							
	86	17700	17.18	114900	2.3							
	41	37700	36.61	86500	0.85	K KH	167 167	D D	315M4A 315M4A	1980 1940	486 487	
	61	25200	24.52	91700	1.25							
	73	20900	20.32	92000	1.55							
	86	17800	17.34	91600	1.80							
	81	18900	18.37	39800	0.95	K KF KA KAF	157 157 157 157	D D D D	315M4A 315M4A 315M4A 315M4A	1590 1660 1550 1610	482 483 484 483	
	100	15400	14.92	42600	1.15							
	117	13000	12.65	44100	1.30							
	200	33	58500	45.50*	100000	0.85	K KH	187 187	D D	315M4B 315M4B	2560 2500	488 489
		45	42700	33.23	107300	1.15						
		53	35900	27.92	109000	1.40						
61		31100	24.18	109500	1.55							
74		25900	20.15	109100	1.70							
86		22100	17.18	108100	1.85							
61		31500	24.52	80100	1.00	K KH	167 167	D D	315M4B 315M4B	1980 1940	486 487	
73		26100	20.32	82400	1.20							
86		22300	17.34	83400	1.45							
100		19200	14.92	34200	0.95	K KF KA KAF	157 157 157 157	D D D D	315M4B 315M4B 315M4B 315M4B	1590 1660 1550 1610	482 483 484 483	
117		16300	12.65	36900	1.05							

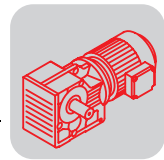


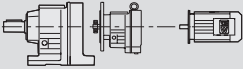

10.4 K..R..D.. [Nm]

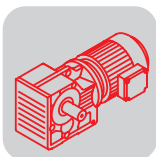
$M_{a \max}$ [Nm]	n_a [1/min]	i	$F_{Ra}^{1)}$ [N]		m [kg]					
200	0.20	6832	5640							
	0.23	5922	5640							
	0.25	5491	5640							
	0.29	4759	5640							
	0.33	4160	5640							
	0.38	3645	5640							
	0.43	3205	5640		K	37 R17	DR	63S4	19	490
	0.49	2801	5640		KF	37 R17	DR	63S4	22	490
	0.56	2454	5640		KA	37 R17	DR	63S4	19	490
	0.64	2166	5640		KAF	37 R17	DR	63S4	21	490
	0.73	1891	5640							
	0.83	1660	5640							
	0.94	1466	5640							
	1.1	1288	5640							
	1.2	1136	5640							
	1.4	996	5640							
	1.6	876	5640							
	1.8	761	5640							
	2.1	671	5640		K	37 R17	DR	63S4	19	490
	2.4	585	5640		KF	37 R17	DR	63S4	21	490
	2.7	512	5640		KA	37 R17	DR	63S4	19	490
	3.1	451	5640		KAF	37 R17	DR	63S4	20	490
	3.5	396	5640							
	4.0	346	5640							
	4.3	304	5640		K	37 R17	DR	63M4	19	490
	4.9	267	5640		KF	37 R17	DR	63M4	21	490
	5.7	234	5640		KA	37 R17	DR	63M4	19	490
	6.4	205	5640		KAF	37 R17	DR	63M4	20	490
	7.2	181	5640		K	37 R17	DR	63L4	20	490
	8.1	160	5640		KF	37 R17	DR	63L4	22	490
	9.5	136	5640		KA	37 R17	DR	63L4	19	490
	10	127	5640		KAF	37 R17	DR	63L4	21	490
	12	110	5640		K	37 R17	DT	71D4	21	490
	14	96	5640		KF	37 R17	DT	71D4	23	490
					KA	37 R17	DT	71D4	20	490
					KAF	37 R17	DT	71D4	22	490
400	0.14	10138	5920							
	0.16	8534	5920							
	0.18	7662	5920							
	0.20	6826	5920							
	0.23	5983	5920							
	0.27	5159	5920							
	0.30	4601	5920							
	0.35	3940	5920		K	47 R37	DR	63S4	34	490
	0.40	3477	5920		KF	47 R37	DR	63S4	37	490
	0.45	3043	5920		KA	47 R37	DR	63S4	33	490
	0.51	2733	5920		KAF	47 R37	DR	63S4	36	490
	0.59	2354	5920							
	0.67	2063	5920							
	0.76	1819	5920							
	0.87	1586	5920							
	0.99	1388	5920							
	1.1	1222	5920							
	1.3	1097	5920							
	1.5	945	5920		K	47 R37	DR	63S4	33	490
	1.7	831	5920		KF	47 R37	DR	63S4	37	490
	1.9	718	5920		KA	47 R37	DR	63S4	32	490
	2.2	639	5920		KAF	47 R37	DR	63S4	35	490
	2.4	552	5920							
	2.7	495	5920		K	47 R37	DR	63M4	33	490
	3.1	426	5920		KF	47 R37	DR	63M4	37	490
					KA	47 R37	DR	63M4	32	490
					KAF	47 R37	DR	63M4	35	490
	3.5	375	5920							
	4.0	327	5920		K	47 R37	DR	63L4	34	490
	4.5	289	5920		KF	47 R37	DR	63L4	37	490
					KA	47 R37	DR	63L4	33	490
					KAF	47 R37	DR	63L4	36	490


K..DR/DT/DV
K..R..D.. [Nm]

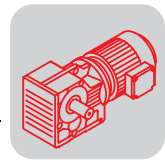
$M_{a \max}$ [Nm]	n_a [1/min]	i	$F_{Ra}^{1)}$ [N]					m [kg]		
400	5.4	256	5920	K	47 R37	DT	71D4	35	490	
	6.2	225	5920	KF	47 R37	DT	71D4	38	490	
	7.0	198	5920	KA	47 R37	DT	71D4	34	490	
				KAF	47 R37	DT	71D4	37	490	
	8.0	171	5920	K	47 R37	DT	80K4	37	490	
	8.9	153	5920	KF	47 R37	DT	80K4	40	490	
	10	131	5920	KA	47 R37	DT	80K4	36	490	
				KAF	47 R37	DT	80K4	39	490	
	600	0.11	12169	7630						
		0.12	11162	7630						
0.15		9503	7630							
0.16		8547	7630							
0.19		7277	7630							
0.21		6478	7630							
0.24		5662	7630	K	57 R37	DR	63S4	39	490	
0.27		5033	7630	KF	57 R37	DR	63S4	44	490	
0.32		4340	7630	KA	57 R37	DR	63S4	37	490	
0.36		3854	7630	KAF	57 R37	DR	63S4	43	490	
0.41		3390	7630							
0.47		2924	7630							
0.53		2593	7630							
0.61		2249	7630							
0.70		1986	7630							
0.79		1743	7630	K	57 R37	DR	63S4	39	490	
0.90		1539	7630	KF	57 R37	DR	63S4	44	490	
1.0		1354	7630	KA	57 R37	DR	63S4	37	490	
1.2		1174	7630	KAF	57 R37	DR	63S4	43	490	
1.3		1036	7630							
1.5		906	7630	K	57 R37	DR	63M4	39	490	
1.6		806	7630	KF	57 R37	DR	63M4	44	490	
1.9		699	7630	KA	57 R37	DR	63M4	37	490	
2.1		615	7630	KAF	57 R37	DR	63M4	43	490	
2.4		544	7630	K	57 R37	DR	63L4	40	490	
2.8		473	7630	KF	57 R37	DR	63L4	45	490	
3.1		421	7630	KA	57 R37	DR	63L4	38	490	
				KAF	57 R37	DR	63L4	43	490	
3.8		362	7630	K	57 R37	DT	71D4	41	490	
4.3		319	7630	KF	57 R37	DT	71D4	46	490	
4.9		280	7630	KA	57 R37	DT	71D4	39	490	
				KAF	57 R37	DT	71D4	44	490	
5.5		246	7630	K	57 R37	DT	80K4	43	490	
6.3		215	7630	KF	57 R37	DT	80K4	48	490	
7.1		192	7630	KA	57 R37	DT	80K4	41	490	
				KAF	57 R37	DT	80K4	46	490	
8.3		166	7630	K	57 R37	DT	80N4	44	490	
9.6		145	7630	KF	57 R37	DT	80N4	49	490	
11		129	7630	KA	57 R37	DT	80N4	42	490	
				KAF	57 R37	DT	80N4	47	490	
13	111	7630	K	57 R37	DT	90S4	49	490		
14	97	7630	KF	57 R37	DT	90S4	54	490		
			KA	57 R37	DT	90S4	47	490		
			KAF	57 R37	DT	90S4	53	490		



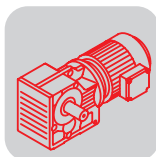
$M_{a \max}$ [Nm]	n_a [1/min]	i	$F_{Ra}^{1)}$ [N]					m [kg]		
820	0.11	12139	10300							
	0.12	11134	10300							
	0.15	9479	10300							
	0.17	8173	10300							
	0.19	7259	10300							
	0.21	6462	10300							
	0.24	5648	10300							
	0.28	4846	10300							
	0.32	4329	10300							
	0.37	3750	10300							
	0.42	3315	10300							
	0.47	2917	10300							
	0.55	2532	10300							
	0.62	2244	10300							
	0.70	1981	10300							
	0.79	1739	10300		K	67 R37	DR	63S4	45	490
	0.90	1535	10300		KF	67 R37	DR	63S4	51	490
	1.0	1351	10300		KA	67 R37	DR	63S4	42	490
					KAF	67 R37	DR	63S4	48	490
	1.1	1171	10300		K	67 R37	DR	63M4	45	490
	1.3	1034	10300		KF	67 R37	DR	63M4	51	490
	1.5	903	10300		KA	67 R37	DR	63M4	42	490
	1.7	793	10300		KAF	67 R37	DR	63M4	48	490
	1.9	697	10300		K	67 R37	DR	63L4	46	490
	2.1	613	10300		KF	67 R37	DR	63L4	51	490
	2.4	542	10300		KA	67 R37	DR	63L4	43	490
					KAF	67 R37	DR	63L4	49	490
	2.9	471	10300		K	67 R37	DT	71D4	47	490
	3.3	420	10300		KF	67 R37	DT	71D4	52	490
					KA	67 R37	DT	71D4	44	490
					KAF	67 R37	DT	71D4	50	490
	3.8	361	10300		K	67 R37	DT	80K4	49	490
	4.2	323	10300		KF	67 R37	DT	80K4	54	490
	4.9	279	10300		KA	67 R37	DT	80K4	46	490
	5.5	246	10300		KAF	67 R37	DT	80K4	52	490
6.4	217	10300		K	67 R37	DT	80N4	50	490	
7.2	191	10300		KF	67 R37	DT	80N4	55	490	
				KA	67 R37	DT	80N4	47	490	
				KAF	67 R37	DT	80N4	53	490	
1550	0.09	15310	15400							
	0.10	14043	15400							
	0.12	11955	15400							
	0.14	10217	15400							
	0.16	8809	15400							
	0.18	7528	15400							
	0.21	6606	15400							
	0.24	5774	15400							
	0.27	5089	15400							
	0.31	4489	15400							
	0.35	3961	15400							
	0.40	3485	15400							
	0.48	2901	15400							
	0.51	2717	15400							
	0.56	2370	15400							
					K	77 R37	DR	63M4	69	490
					KF	77 R37	DR	63M4	78	490
					KA	77 R37	DR	63M4	62	490
					KAF	77 R37	DR	63M4	70	490
	0.64	2050	15400		K	77 R37	DR	63M4	69	490
	0.75	1772	15400		KF	77 R37	DR	63M4	77	490
	0.87	1514	15400		KA	77 R37	DR	63M4	62	490
				KAF	77 R37	DR	63M4	70	490	
0.94	1388	15400		K	77 R37	DR	63L4	70	490	
1.1	1218	15400		KF	77 R37	DR	63L4	78	490	
1.2	1053	15400		KA	77 R37	DR	63L4	62	490	
				KAF	77 R37	DR	63L4	70	490	

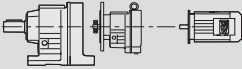


K..DR/DT/DV
K..R..D.. [Nm]

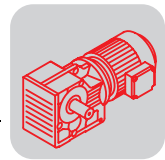
$M_{a \max}$ [Nm]	n_a [1/min]	i	$F_{Ra}^{1)}$ [N]					m [kg]	
1550	1.5	924	15400	K	77 R37	DT	71D4	71	490
	1.7	815	15400	KF	77 R37	DT	71D4	79	490
	1.9	709	15400	KA	77 R37	DT	71D4	63	490
				KAF	77 R37	DT	71D4	71	490
	2.2	622	15400	K	77 R37	DT	80K4	73	490
	2.5	552	15400	KF	77 R37	DT	80K4	81	490
	2.8	485	15400	KA	77 R37	DT	80K4	65	490
				KAF	77 R37	DT	80K4	73	490
	3.2	428	15400	K	77 R37	DT	80N4	74	490
	3.8	367	15400	KF	77 R37	DT	80N4	82	490
				KA	77 R37	DT	80N4	66	490
				KAF	77 R37	DT	80N4	74	490
	4.3	328	15400	K	77 R37	DT	90S4	79	490
	4.8	290	15400	KF	77 R37	DT	90S4	87	490
	5.5	252	15400	KA	77 R37	DT	90S4	72	490
			KAF	77 R37	DT	90S4	79	490	
2700	0.09	14829	27300						
	0.10	13168	27300						
	0.12	11737	27300						
	0.14	10217	27300						
	0.15	9073	27300	K	87 R57	DR	63S4	120	490
	0.18	7854	27300	KF	87 R57	DR	63S4	130	490
	0.20	6832	27300	KA	87 R57	DR	63S4	105	490
	0.23	5930	27300	KAF	87 R57	DR	63S4	120	490
	0.26	5240	27300						
	0.30	4562	27300						
	0.33	4037	27300	K	87 R57	DR	63M4	120	490
	0.37	3609	27300	KF	87 R57	DR	63M4	130	490
	0.42	3107	27300	KA	87 R57	DR	63M4	105	490
	0.48	2728	27300	KAF	87 R57	DR	63M4	120	490
	0.55	2371	27300	K	87 R57	DR	63L4	120	490
				KF	87 R57	DR	63L4	130	490
				KA	87 R57	DR	63L4	105	490
				KAF	87 R57	DR	63L4	120	490
	0.62	2088	27300	K	87 R57	DR	63L4	120	490
	0.70	1854	27300	KF	87 R57	DR	63L4	125	490
				KA	87 R57	DR	63L4	105	490
				KAF	87 R57	DR	63L4	120	490
	0.83	1657	27300	K	87 R57	DT	71D4	120	490
	0.97	1415	27300	KF	87 R57	DT	71D4	130	490
	1.1	1229	27300	KA	87 R57	DT	71D4	110	490
				KAF	87 R57	DT	71D4	120	490
	1.3	1078	27300	K	87 R57	DT	80K4	120	490
	1.4	951	27300	KF	87 R57	DT	80K4	130	490
	1.6	837	27300	KA	87 R57	DT	80K4	110	490
				KAF	87 R57	DT	80K4	125	490
	1.9	726	27300	K	87 R57	DT	80N4	125	490
	2.2	638	27300	KF	87 R57	DT	80N4	130	490
				KA	87 R57	DT	80N4	110	490
			KAF	87 R57	DT	80N4	125	490	
2.5	562	27300	K	87 R57	DT	90S4	130	490	
3.0	474	27300	KF	87 R57	DT	90S4	135	490	
3.3	426	27300	KA	87 R57	DT	90S4	115	490	
			KAF	87 R57	DT	90S4	130	490	
3.8	373	27300	K	87 R57	DT	90L4	130	490	
4.3	330	27300	KF	87 R57	DT	90L4	140	490	
4.8	294	27300	KA	87 R57	DT	90L4	120	490	
			KAF	87 R57	DT	90L4	130	490	
5.6	250	27300	K	87 R57	DV	100M4	135	490	
6.0	236	27300	KF	87 R57	DV	100M4	145	490	
7.0	201	27300	KA	87 R57	DV	100M4	125	490	
			KAF	87 R57	DV	100M4	140	490	



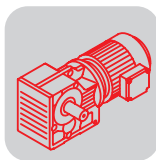
$M_{a \max}$ [Nm]	n_a [1/min]	i	$F_{Ra}^{1)}$ [N]					m [kg]	
4300	0.08	18091	40000						
	0.08	16666	40000						
	0.09	14897	40000						
	0.10	13182	40000	K	97 R57	DR	63S4	180	490
	0.12	11677	40000	KF	97 R57	DR	63S4	200	490
	0.13	10317	40000	KA	97 R57	DR	63S4	160	490
	0.15	9083	40000	KAF	97 R57	DR	63S4	185	490
	0.17	8054	40000						
	0.20	6970	40000						
	0.22	6027	40000	K	97 R57	DR	63M4	180	490
	0.24	5391	40000	KF	97 R57	DR	63M4	200	490
	0.28	4669	40000	KA	97 R57	DR	63M4	160	490
	0.32	4082	40000	KAF	97 R57	DR	63M4	185	490
	0.36	3583	40000	K	97 R57	DR	63L4	180	490
	0.42	3108	40000	KF	97 R57	DR	63L4	200	490
				KA	97 R57	DR	63L4	160	490
				KAF	97 R57	DR	63L4	185	490
	0.50	2757	40000	K	97 R57	DT	71D4	180	490
				KF	97 R57	DT	71D4	200	490
				KA	97 R57	DT	71D4	165	490
				KAF	97 R57	DT	71D4	190	490
	0.57	2419	40000	K	97 R57	DT	71D4	180	490
	0.65	2123	40000	KF	97 R57	DT	71D4	200	490
				KA	97 R57	DT	71D4	160	490
				KAF	97 R57	DT	71D4	185	490
	0.73	1856	40000	K	97 R57	DT	80K4	180	490
	0.84	1625	40000	KF	97 R57	DT	80K4	205	490
	0.95	1430	40000	KA	97 R57	DT	80K4	165	490
	1.1	1261	40000	KAF	97 R57	DT	80K4	190	490
	1.2	1102	40000	K	97 R57	DT	80N4	185	490
	1.4	957	40000	KF	97 R57	DT	80N4	205	490
				KA	97 R57	DT	80N4	165	490
				KAF	97 R57	DT	80N4	190	490
	1.6	855	40000	K	97 R57	DT	90S4	190	490
	1.9	743	40000	KF	97 R57	DT	90S4	210	490
	2.1	652	40000	KA	97 R57	DT	90S4	170	490
				KAF	97 R57	DT	90S4	195	490
	2.5	573	40000	K	97 R57	DT	90L4	190	490
	2.8	504	40000	KF	97 R57	DT	90L4	210	490
				KA	97 R57	DT	90L4	170	490
				KAF	97 R57	DT	90L4	195	490
	3.2	437	40000	K	97 R57	DV	100M4	195	490
	3.7	382	40000	KF	97 R57	DV	100M4	220	490
	4.1	342	40000	KA	97 R57	DV	100M4	180	490
				KAF	97 R57	DV	100M4	205	490
	4.6	305	40000	K	97 R57	DV	100L4	200	490
	5.4	258	40000	KF	97 R57	DV	100L4	220	490
6.0	232	40000	KA	97 R57	DV	100L4	185	490	
			KAF	97 R57	DV	100L4	210	490	
7.1	199	40000	K	97 R57	DV	112M4	210	490	
			KF	97 R57	DV	112M4	230	490	
			KA	97 R57	DV	112M4	190	490	
			KAF	97 R57	DV	112M4	215	490	
8000	0.10	14311	65000	K	107 R77	DR	63S4	310	490
	0.11	12211	65000	KF	107 R77	DR	63S4	320	490
				KA	107 R77	DR	63S4	280	490
				KAF	107 R77	DR	63S4	305	490
	0.12	10677	65000	K	107 R77	DR	63M4	310	490
	0.14	9524	65000	KF	107 R77	DR	63M4	320	490
	0.16	8328	65000	KA	107 R77	DR	63M4	280	490
				KAF	107 R77	DR	63M4	305	490

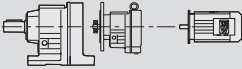


K..DR/DT/DV
K..R..D.. [Nm]

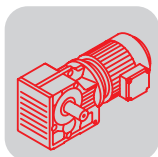
$M_{a \max}$ [Nm]	n_a [1/min]	i	$F_{Ra}^{1)}$ [N]					m [kg]	
8000	0.18	7270	65000	K	107 R77	DR	63L4	310	490
	0.21	6184	65000	KF	107 R77	DR	63L4	320	490
	0.23	5662	65000	KA	107 R77	DR	63L4	285	490
				KAF	107 R77	DR	63L4	305	490
	0.27	5138	65000	K	107 R77	DT	71D4	310	490
	0.32	4359	65000	KF	107 R77	DT	71D4	325	490
	0.36	3810	65000	KA	107 R77	DT	71D4	285	490
				KAF	107 R77	DT	71D4	305	490
	0.41	3358	65000	K	107 R77	DT	80K4	315	490
	0.46	2977	65000	KF	107 R77	DT	80K4	325	490
	0.52	2599	65000	KA	107 R77	DT	80K4	285	490
				KAF	107 R77	DT	80K4	310	490
	0.60	2286	65000	K	107 R77	DT	80N4	315	490
	0.71	1939	65000	KF	107 R77	DT	80N4	325	490
				KA	107 R77	DT	80N4	285	490
				KAF	107 R77	DT	80N4	310	490
	0.82	1713	65000	K	107 R77	DT	90S4	320	490
	0.90	1554	65000	KF	107 R77	DT	90S4	330	490
	1.1	1336	65000	KA	107 R77	DT	90S4	290	490
				KAF	107 R77	DT	90S4	315	490
	1.2	1166	65000	K	107 R77	DT	90L4	320	490
	1.4	1030	65000	KF	107 R77	DT	90L4	330	490
	1.6	904	65000	KA	107 R77	DT	90L4	290	490
				KAF	107 R77	DT	90L4	315	490
	1.8	793	65000	K	107 R77	DV	100M4	325	490
	2.0	696	65000	KF	107 R77	DV	100M4	340	490
	2.3	615	65000	KA	107 R77	DV	100M4	300	490
				KAF	107 R77	DV	100M4	325	490
	2.7	522	65000	K	107 R77	DV	100L4	330	490
	3.0	461	65000	KF	107 R77	DV	100L4	340	490
				KA	107 R77	DV	100L4	305	490
				KAF	107 R77	DV	100L4	325	490
	3.5	408	65000	K	107 R77	DV	112M4	335	490
	3.9	364	65000	KF	107 R77	DV	112M4	350	490
				KA	107 R77	DV	112M4	310	490
				KAF	107 R77	DV	112M4	335	490
4.5	318	65000	K	107 R77	DV	132S4	345	490	
5.0	286	65000	KF	107 R77	DV	132S4	355	490	
5.7	251	65000	KA	107 R77	DV	132S4	315	490	
			KAF	107 R77	DV	132S4	340	490	
13000	0.08	17550	79200	K	127 R77	DR	63M4	470	490
	0.08	16006	79200	KF	127 R77	DR	63M4	510	490
	0.09	14975	79200	KA	127 R77	DR	63M4	440	490
	0.11	12440	79200	KAF	127 R77	DR	63M4	480	490
	0.12	10915	79200	K	127 R77	DR	63L4	470	490
	0.13	9819	79200	KF	127 R77	DR	63L4	510	490
				KA	127 R77	DR	63L4	440	490
				KAF	127 R77	DR	63L4	480	490
	0.16	8443	79200	K	127 R77	DT	71D4	470	490
	0.18	7482	79200	KF	127 R77	DT	71D4	510	490
	0.21	6565	79200	KA	127 R77	DT	71D4	445	490
				KAF	127 R77	DT	71D4	480	490
	0.23	5804	79200	K	127 R77	DT	80K4	475	490
	0.27	5027	79200	KF	127 R77	DT	80K4	520	490
	0.31	4423	79200	KA	127 R77	DT	80K4	445	490
	0.35	3889	79200	KAF	127 R77	DT	80K4	480	490
	0.42	3311	79200	K	127 R77	DT	80N4	475	490
	0.46	3009	79200	KF	127 R77	DT	80N4	520	490
				KA	127 R77	DT	80N4	445	490
				KAF	127 R77	DT	80N4	485	490

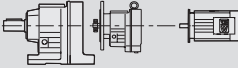



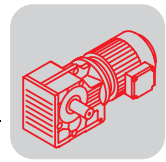
$M_{a \max}$ [Nm]	n_a [1/min]	i	$F_{Ra}^{1)}$ [N]					m [kg]																		
13000	0.54 0.62	2607	79200	K	127 R77	DT	90S4	480	490																	
		2268	79200	KF	127 R77	DT	90S4	520	490																	
	0.73	1926	79200	KA	127 R77	DT	90S4	450	490																	
				KAF	127 R77	DT	90S4	490	490																	
				K	127 R77	DT	90S4	480	490																	
				KF	127 R77	DT	90S4	520	490																	
	0.80 0.91	1757 1541	79200 79200	KA	127 R77	DT	90S4	450	490																	
				KAF	127 R77	DT	90S4	490	490																	
				K	127 R77	DT	90L4	480	490																	
				KF	127 R77	DT	90L4	520	490																	
	1.1 1.2 1.4	1342 1177 1025	79200 79200 79200	KA	127 R77	DT	90L4	450	490																	
				KAF	127 R77	DT	90L4	490	490																	
				K	127 R77	DV	100M4	485	490																	
	1.6 1.8 2.0	899 790 704	79200 79200 79200	KF	127 R77	DV	100M4	530	490																	
				KA	127 R77	DV	100M4	460	490																	
				KAF	127 R77	DV	100M4	495	490																	
	2.3 2.6	610 549	79200 79200	K	127 R77	DV	100L4	490	490																	
				KF	127 R77	DV	100L4	530	490																	
				KA	127 R77	DV	100L4	465	490																	
	2.6 3.0 3.4	536 477 418	79200 79200 79200	KAF	127 R77	DV	100L4	500	490																	
				K	127 R77	DV	112M4	495	490																	
				KF	127 R77	DV	112M4	540	490																	
	3.0 3.4	477 418	79200 79200	KA	127 R77	DV	112M4	470	490																	
				KAF	127 R77	DV	112M4	510	490																	
				K	127 R77	DV	132S4	500	490																	
	2.6 3.0 3.4	536 473 418	79200 79200 79200	KF	127 R77	DV	132S4	550	490																	
				KA	127 R77	DV	132S4	475	490																	
				KAF	127 R77	DV	132S4	510	490																	
	3.0 3.4	473 418	79200 79200	K	127 R87	DV	112M4	520	490																	
				KF	127 R87	DV	112M4	560	490																	
KA				127 R87	DV	112M4	490	490																		
3.0 3.4	473 418	79200 79200	KAF	127 R87	DV	112M4	530	490																		
			K	127 R87	DV	132S4	520	490																		
			KF	127 R87	DV	132S4	570	490																		
3.9 4.3 5.0	367 330 287	79200 79200 79200	KA	127 R87	DV	132S4	495	490																		
			KAF	127 R87	DV	132S4	530	490																		
			K	127 R87	DV	132M4	550	490																		
5.7	253	79200	KF	127 R87	DV	132M4	590	490																		
			KA	127 R87	DV	132M4	520	490																		
			KAF	127 R87	DV	132M4	550	490																		
5.7	253	79200	K	127 R87	DV	132ML4	550	490																		
			KF	127 R87	DV	132ML4	600	490																		
			KA	127 R87	DV	132ML4	530	490																		
5.7	253	79200	KAF	127 R87	DV	132ML4	560	490																		
			18000	17679 15729 14721 13097 11368 10114 8718 7734	112200 112200 112200 112200 112200 112200 112200 112200	K KF KA KAF	157 R97 157 R97 157 R97 157 R97	DT DT DT DT	80K4 80K4 80K4 80K4	790 870 750 810	490 490 490 490															
												0.28 0.31 0.35 0.40 0.46	5074 4514 3979 3516 3051	112200 112200 112200 112200 112200	K KF KA KAF	157 R97 157 R97 157 R97 157 R97	DT DT DT DT	90S4 90S4 90S4 90S4	800 870 760 820	490 490 490 490						
0.54 0.61	2610 2322	112200 112200																			K KF KA KAF	157 R97 157 R97 157 R97 157 R97	DT DT DT DT	90L4 90L4 90L4 90L4	800 880 760 820	490 490 490 490



$M_{a \max}$ [Nm]	n_a [1/min]	i	$F_{Ra}^{1)}$ [N]					m [kg]		
18000	0.70	2029	112200	K	157 R97	DV	100M4	800	490	
		1805	112200	KF	157 R97	DV	100M4	880	490	
	0.78	1659	1229	112200	KA	157 R97	DV	100M4	770	490
					KAF	157 R97	DV	100M4	830	490
					K	157 R97	DV	100M4	800	490
					KF	157 R97	DV	100M4	880	490
	1.0	1365	1093	112200	KA	157 R97	DV	100M4	760	490
					KAF	157 R97	DV	100M4	820	490
					K	157 R97	DV	100L4	810	490
					KF	157 R97	DV	100L4	880	490
	1.1	1229	1093	112200	KA	157 R97	DV	100L4	770	490
					KAF	157 R97	DV	100L4	830	490
					K	157 R97	DV	112M4	810	490
					KF	157 R97	DV	112M4	890	490
	1.3	942	854	112200	KA	157 R97	DV	112M4	780	490
					KAF	157 R97	DV	112M4	830	490
					K	157 R97	DV	132S4	820	490
					KF	157 R97	DV	132S4	900	490
	1.5	854	756	112200	KA	157 R97	DV	132S4	780	490
					KAF	157 R97	DV	132S4	840	490
					K	157 R97	DV	132M4	840	490
					KF	157 R97	DV	132M4	920	490
	1.7	504	434	112200	KA	157 R97	DV	132M4	800	490
					KAF	157 R97	DV	132M4	860	490
					K	157 R97	DV	132ML4	850	490
					KF	157 R97	DV	132ML4	930	490
	1.9	379	333	112200	KA	157 R97	DV	132ML4	810	490
					KAF	157 R97	DV	132ML4	870	490
					K	157 R97	DV	160M4	850	490
					KF	157 R97	DV	160M4	930	490
	2.2	661	567	112200	KA	157 R97	DV	160M4	820	490
					KAF	157 R97	DV	160M4	870	490
K					157 R107	DV	132ML4	890	490	
KF					157 R107	DV	132ML4	970	490	
2.5	291	385	112200	KA	157 R107	DV	132ML4	860	490	
				KAF	157 R107	DV	132ML4	920	490	
				K	157 R107	DV	160M4	900	490	
				KF	157 R107	DV	160M4	980	490	
2.8	333	299	112200	KA	157 R107	DV	160M4	860	490	
				KAF	157 R107	DV	160M4	920	490	
				K	157 R107	DV	160L4	940	490	
				KF	157 R107	DV	160L4	1020	490	
3.3	253	230	112200	KA	157 R107	DV	160L4	900	490	
				KAF	157 R107	DV	160L4	960	490	
				K	167 R97	DT	80K4	1180	490	
				KH	167 R97	DT	80K4	1140	490	
3.7	385	325	112200	K	167 R97	DT	80N4	1180	490	
				KH	167 R97	DT	80N4	1150	490	
				K	167 R97	DT	90S4	1190	490	
				KH	167 R97	DT	90S4	1150	490	
4.3	299	299	112200	K	167 R97	DT	90L4	1190	490	
				KH	167 R97	DT	90L4	1150	490	
				K	167 R97	DV	100M4	1200	490	
				KH	167 R97	DV	100M4	1160	490	
4.8	253	230	112200	K	167 R97	DV	100L4	1200	490	
				KH	167 R97	DV	100L4	1160	490	
				K	167 R97	DV	100M4	1200	490	
				KH	167 R97	DV	100L4	1160	490	
5.0	230	213	112200	K	167 R97	DV	100L4	1200	490	
				KH	167 R97	DV	100L4	1160	490	
				K	167 R97	DV	100M4	1200	490	
				KH	167 R97	DV	100L4	1160	490	
5.8	6562	5355	150000	K	167 R97	DT	80N4	1180	490	
				KH	167 R97	DT	80N4	1150	490	
				K	167 R97	DT	90S4	1190	490	
				KH	167 R97	DT	90S4	1150	490	
6.3	4788	4079	150000	K	167 R97	DT	90L4	1190	490	
				KH	167 R97	DT	90L4	1150	490	
				K	167 R97	DV	100M4	1200	490	
				KH	167 R97	DV	100M4	1160	490	
6.9	3376	2755	150000	K	167 R97	DV	100M4	1200	490	
				KH	167 R97	DV	100M4	1160	490	
				K	167 R97	DV	100L4	1200	490	
				KH	167 R97	DV	100L4	1160	490	
32000	2263	150000	150000	K	167 R97	DV	100L4	1200	490	
				KH	167 R97	DV	100L4	1160	490	
				K	167 R97	DV	100M4	1200	490	
				KH	167 R97	DV	100L4	1160	490	

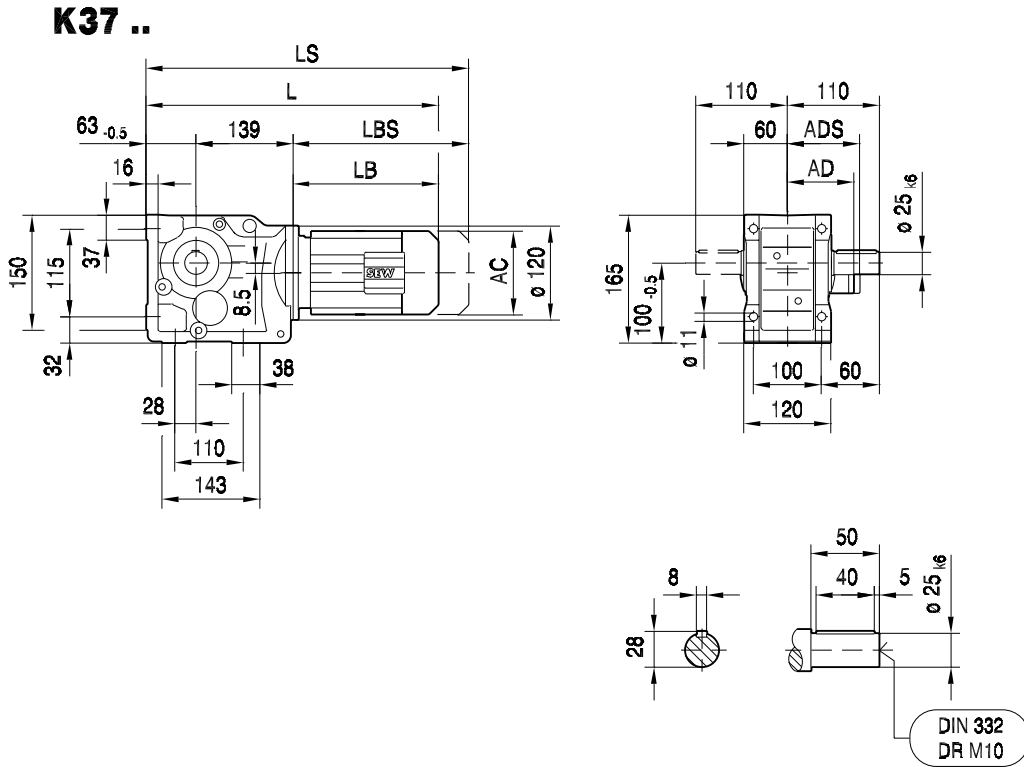

K..DR/DT/DV
K..R..D.. [Nm]

$M_{a \max}$ [Nm]	n_a [1/min]	i	$F_{Ra}^{1)}$ [N]					m [kg]	
50000	2.0	738	189900	K	187 R97	DV	160L4	1870	490
	2.4	621	189900	KH	187 R97	DV	160L4	1800	490
	2.8	527	189900	K	187 R97	DV	180M4	1890	490
				KH	187 R97	DV	180M4	1820	490
	1.7	835	189900	K	187 R107	DV	160M4	1870	490
				KH	187 R107	DV	160M4	1810	490
	2.0	729	189900	K	187 R107	DV	160L4	1920	490
	2.4	622	189900	KH	187 R107	DV	160L4	1850	490
	2.8	520	189900	K	187 R107	DV	180M4	1940	490
	3.2	454	189900	KH	187 R107	DV	180M4	1870	490
	4.1	355	189900	K	187 R107	DV	200L4	2030	490
				KH	187 R107	DV	200L4	1970	490
	5.6	261	189900	K	187 R107	DV	225S4	2080	490
				KH	187 R107	DV	225S4	2020	490
	6.6	221	189900	K	187 R107	DV	225M4	2110	490
	7.6	193	189900	KH	187 R107	DV	225M4	2040	490
9.0	163	189900							

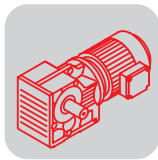


10.5 K ..[mm]

34 001 03 00

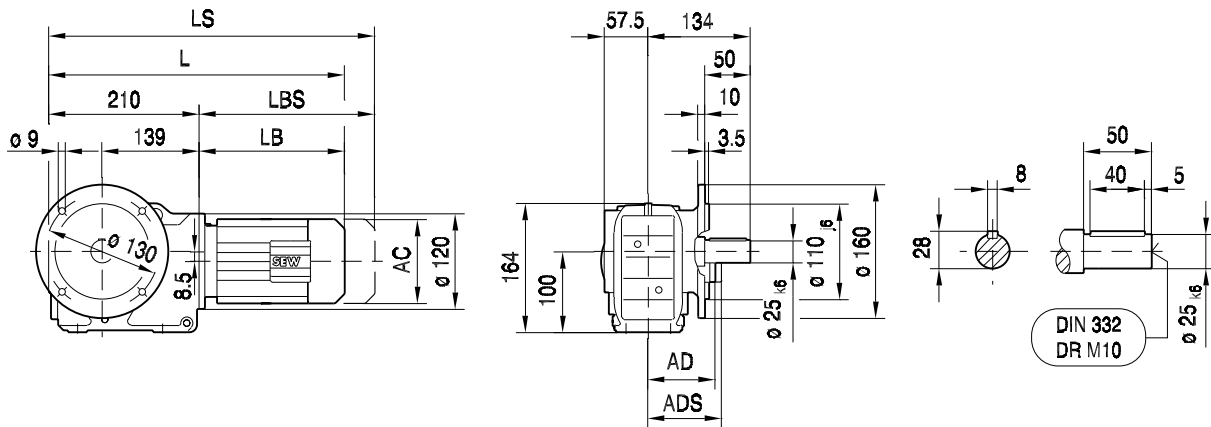


(→ 102)	DR63..	DT71D	DT80..	DT90..	DV100M	DV100L				
AC	132	145	145	197	197	197				
AD	105	122	122	154	166	166				
ADS	105	127	127	161	166	166				
L	393	408	458	478	530	560				
L ^S	448	471	521	563	615	645				
LB	191	206	256	276	328	358				
LBS	246	269	319	361	413	443				

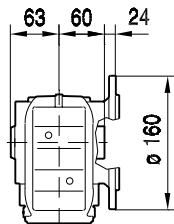


34 013 03 00

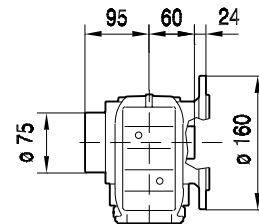
KF37..



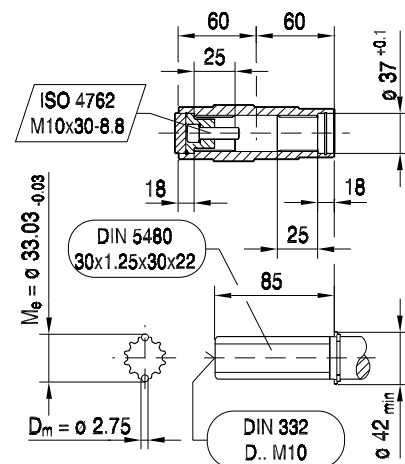
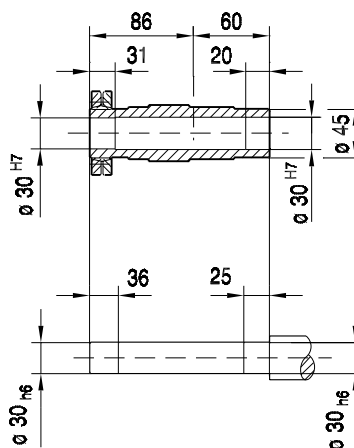
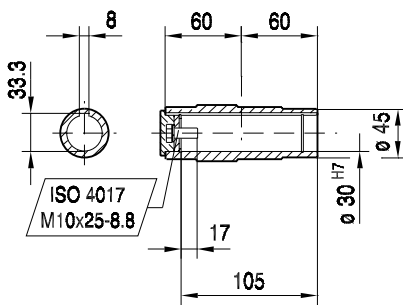
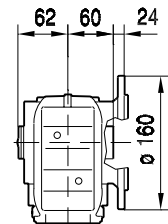
KAF37..



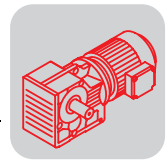
KHF37..



KVF37..

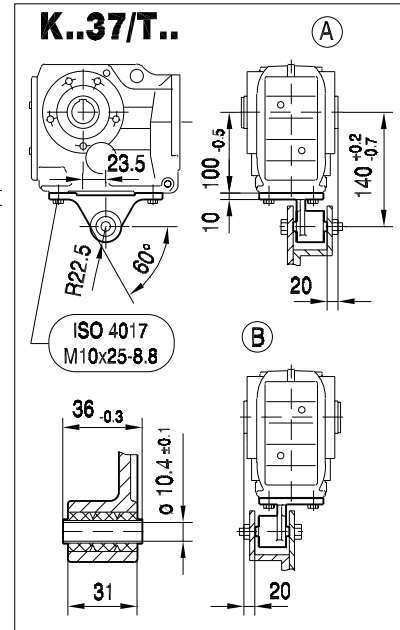
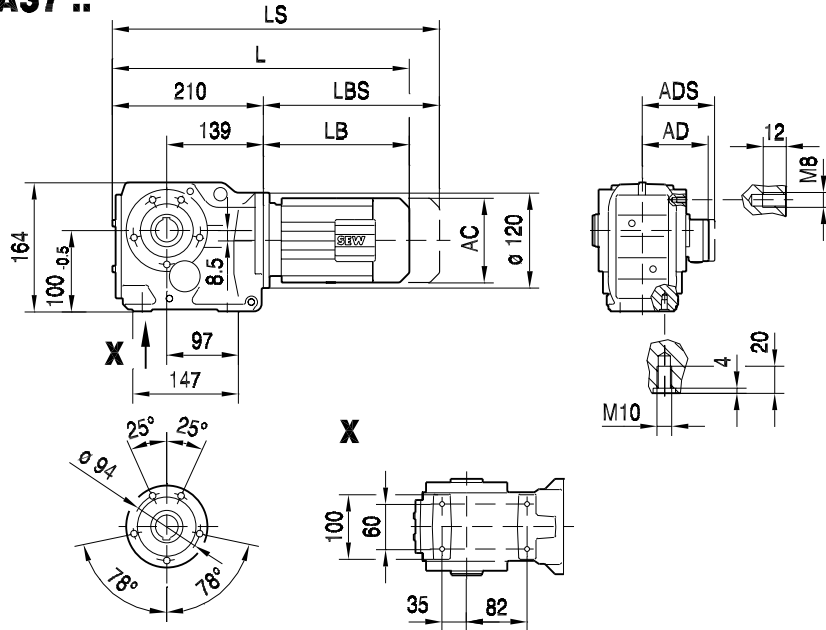


(→ 102)	DR63..	DT71D	DT80..	DT90..	DV100M	DV100L				
AC	132	145	145	197	197	197				
AD	105	122	122	154	166	166				
ADS	105	127	127	161	166	166				
L	401	416	466	486	538	568				
LS	456	479	529	571	623	653				
LB	191	206	256	276	328	358				
LBS	246	269	319	361	413	443				

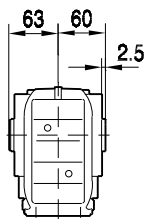


39 001 03 00

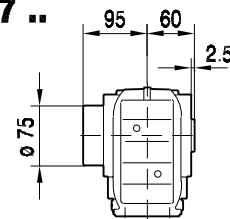
KA37 ..



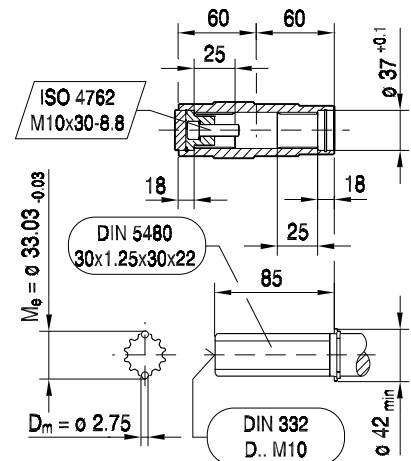
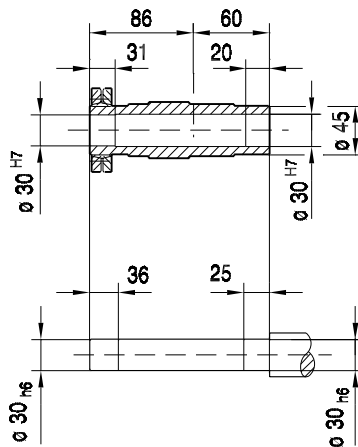
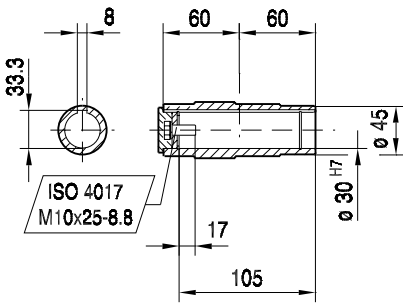
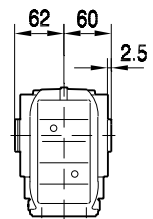
KA37 ..



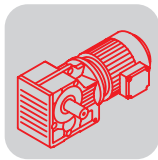
KH37 ..



KV37 ..

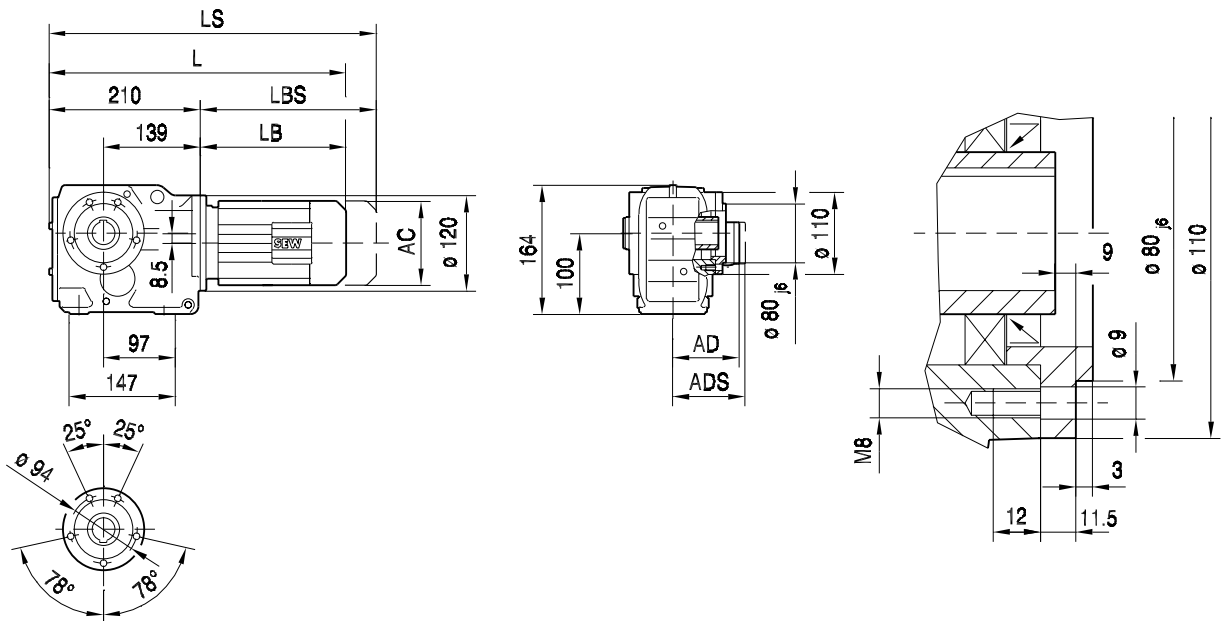


(→ 102)	DR63..	DT71D	DT80..	DT90..	DV100M	DV100L				
AC	132	145	145	197	197	197				
AD	105	122	122	154	166	166				
ADS	105	127	127	161	166	166				
L	401	416	466	486	538	568				
LS	456	479	529	571	623	653				
LB	191	206	256	276	328	358				
LBS	246	269	319	361	413	443				

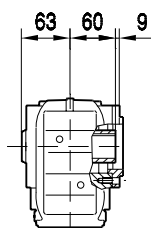


39 011 03 00

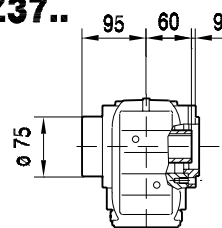
KAZ37..



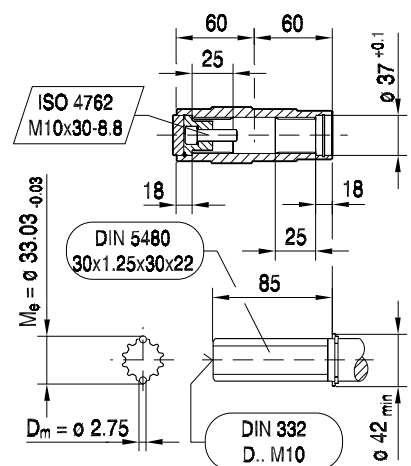
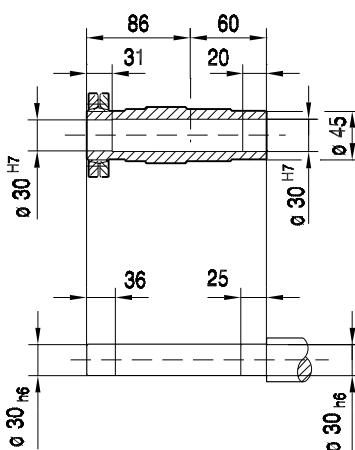
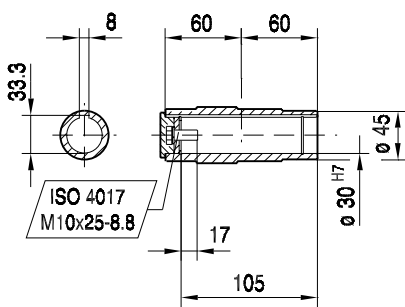
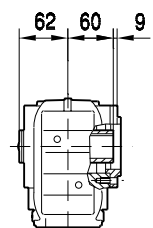
KAZ37..



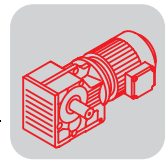
KHZ37..



KVZ37..

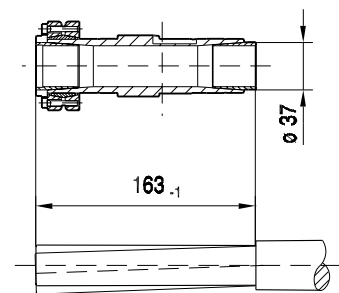
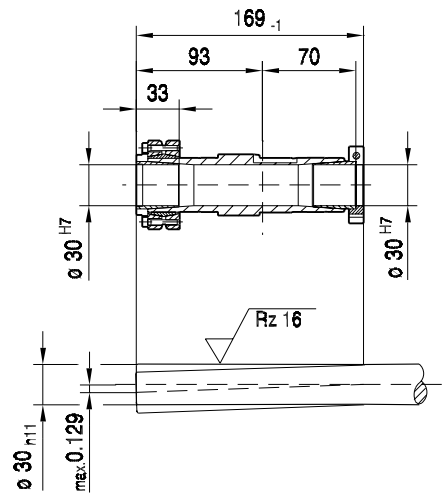
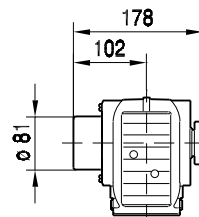
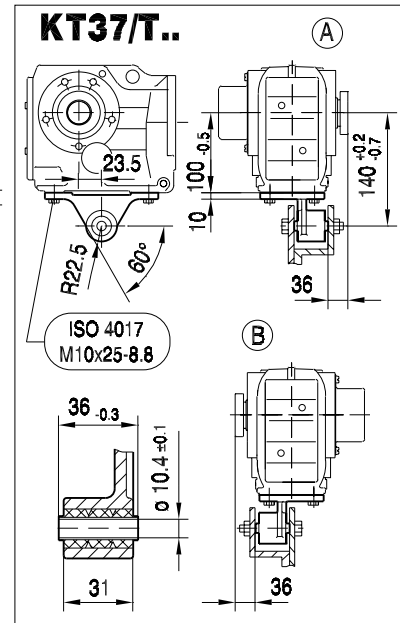
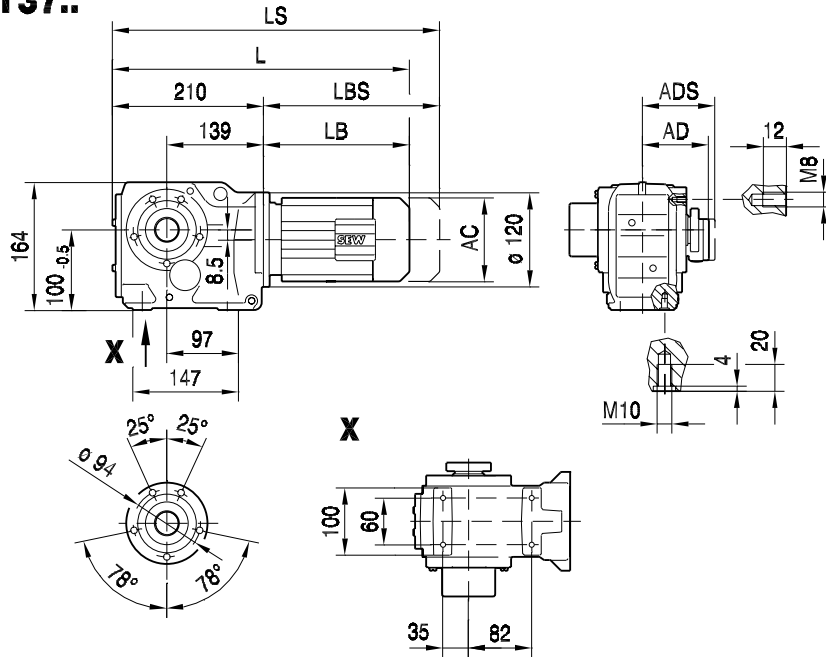


(→ 102)	DR63..	DT71D	DT80..	DT90..	DV100M	DV100L					
AC	132	145	145	197	197	197					
AD	105	122	122	154	166	166					
ADS	105	127	127	161	166	166					
L	401	416	466	486	538	568					
LS	456	479	529	571	623	653					
LB	191	206	256	276	328	358					
LBS	246	269	319	361	413	443					

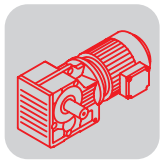


39 006 00 03

KT37..

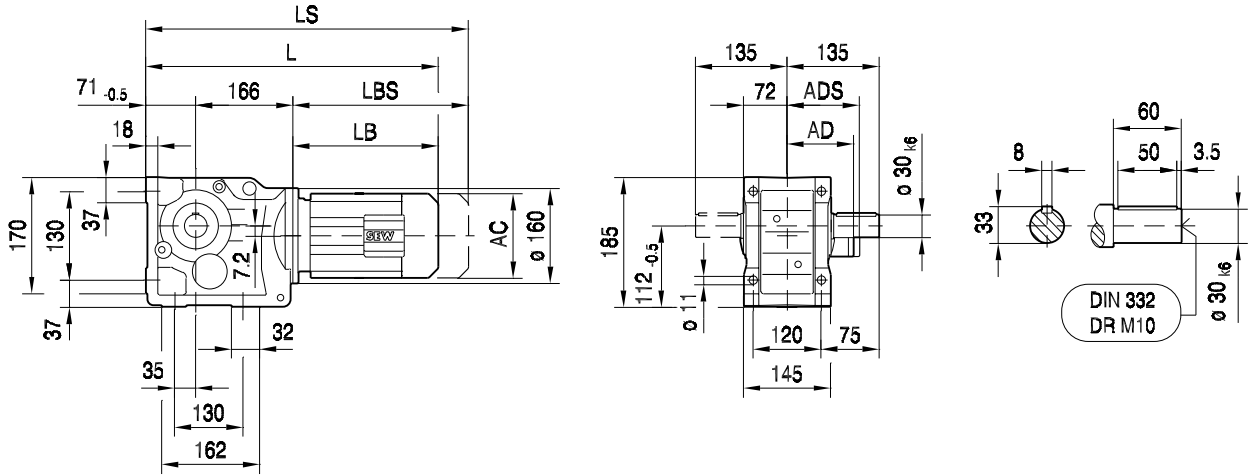


(→ 102)	DR63..	DT71D	DT80..	DT90..	DV100M	DV100L				
AC	132	145	145	197	197	197				
AD	105	122	122	154	166	166				
ADS	105	127	127	161	166	166				
L	401	416	466	486	538	568				
LS	456	479	529	571	623	653				
LB	191	206	256	276	328	358				
LBS	246	269	319	361	413	443				

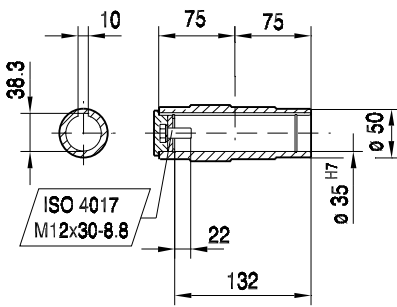
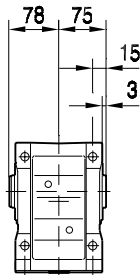


34 002 02 00

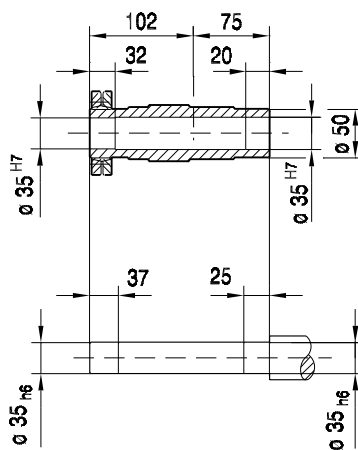
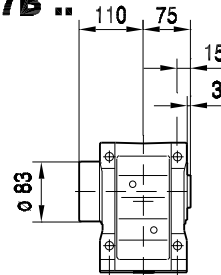
K47 ..



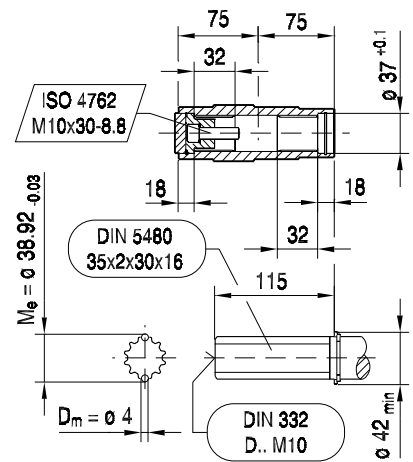
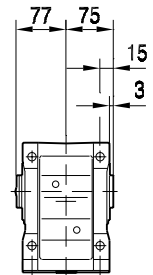
KA47B ..



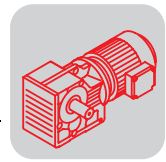
KH47B ..



KV47B ..

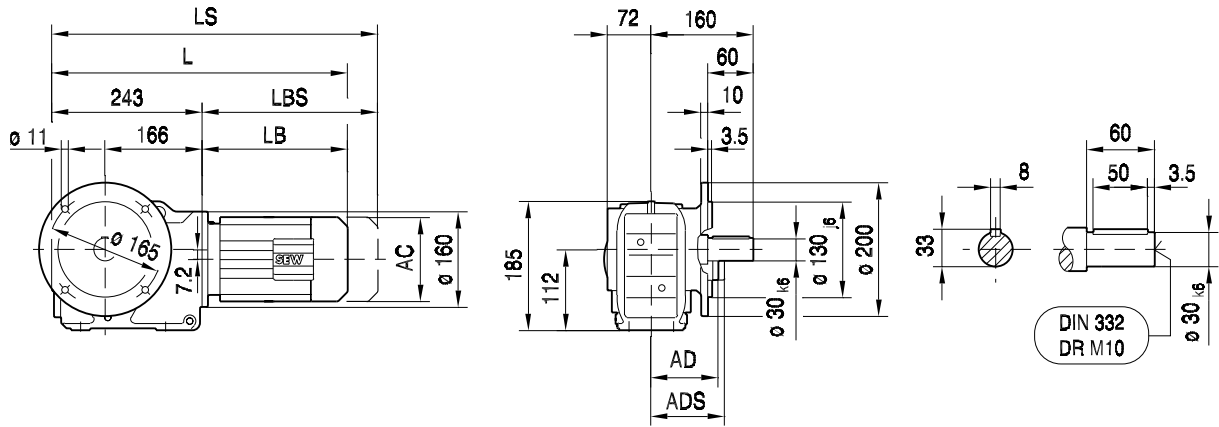


(→ 102)	DR63..	DT71D	DT80..	DT90..	DV100M	DV100L					
AC	132	145	145	197	197	197					
AD	105	122	122	154	166	166					
ADS	105	127	127	161	166	166					
L	422	436	486	506	556	586					
LS	477	500	550	591	641	671					
LB	185	199	249	269	319	349					
LBS	240	263	313	354	404	434					

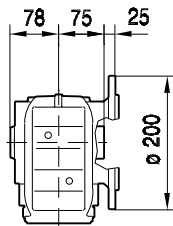


34 014 02 00

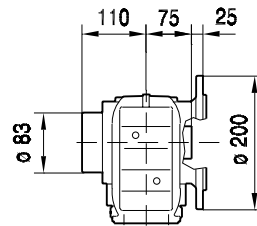
KF47..



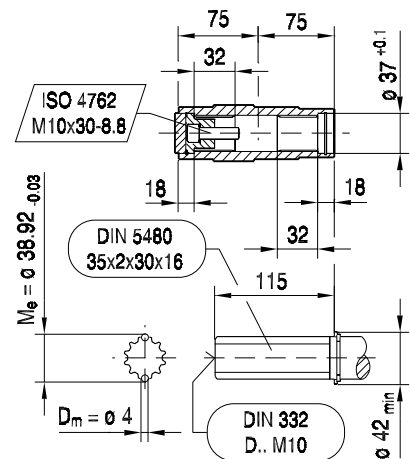
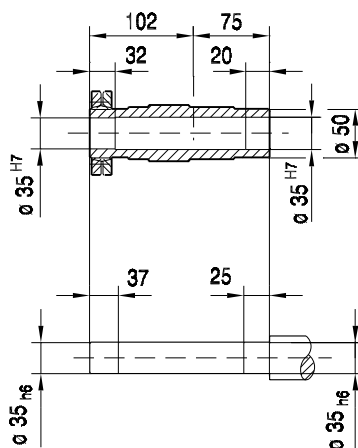
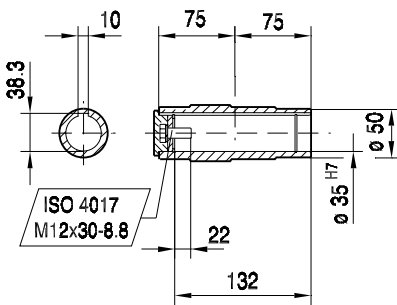
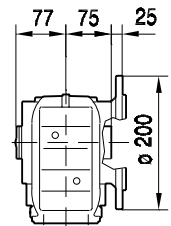
KAF47..



KHF47..

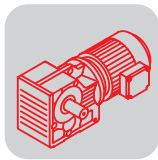


KVF47..



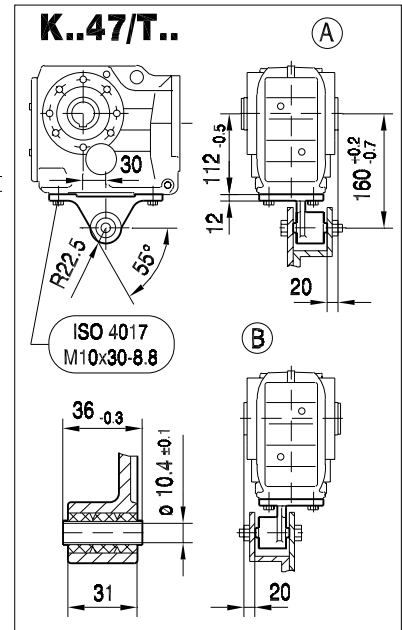
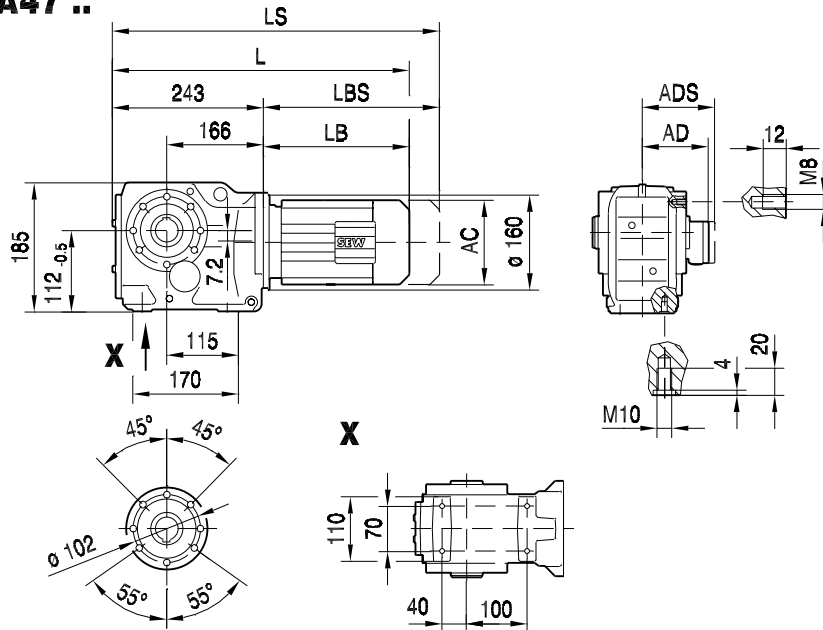
10

(→ 102)	DR63..	DT71D	DT80..	DT90..	DV100M	DV100L						
AC	132	145	145	197	197	197						
AD	105	122	122	154	166	166						
ADS	105	127	127	161	166	166						
L	428	442	492	512	562	592						
LS	483	506	556	597	647	677						
LB	185	199	249	269	319	349						
LBS	240	263	313	354	404	434						

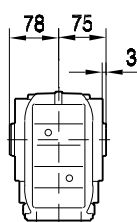


39 002 02 00

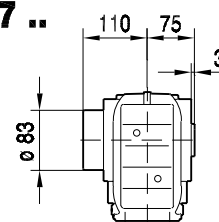
KA47 ..



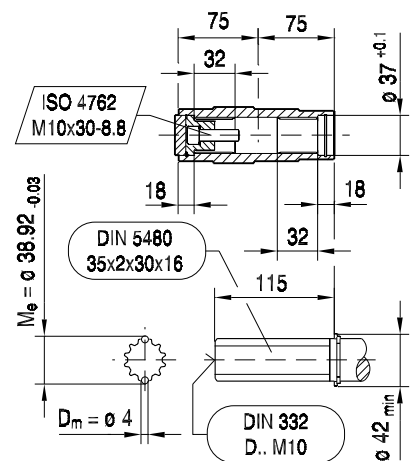
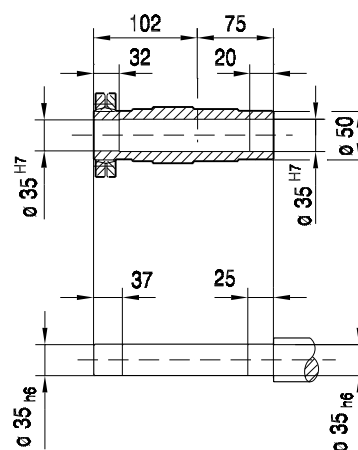
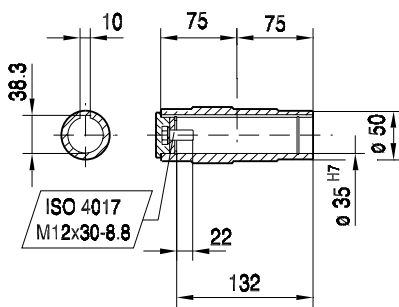
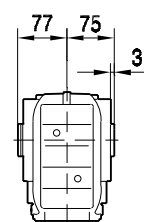
KA47 ..



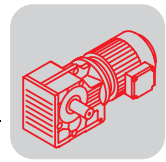
KH47 ..



KV47 ..

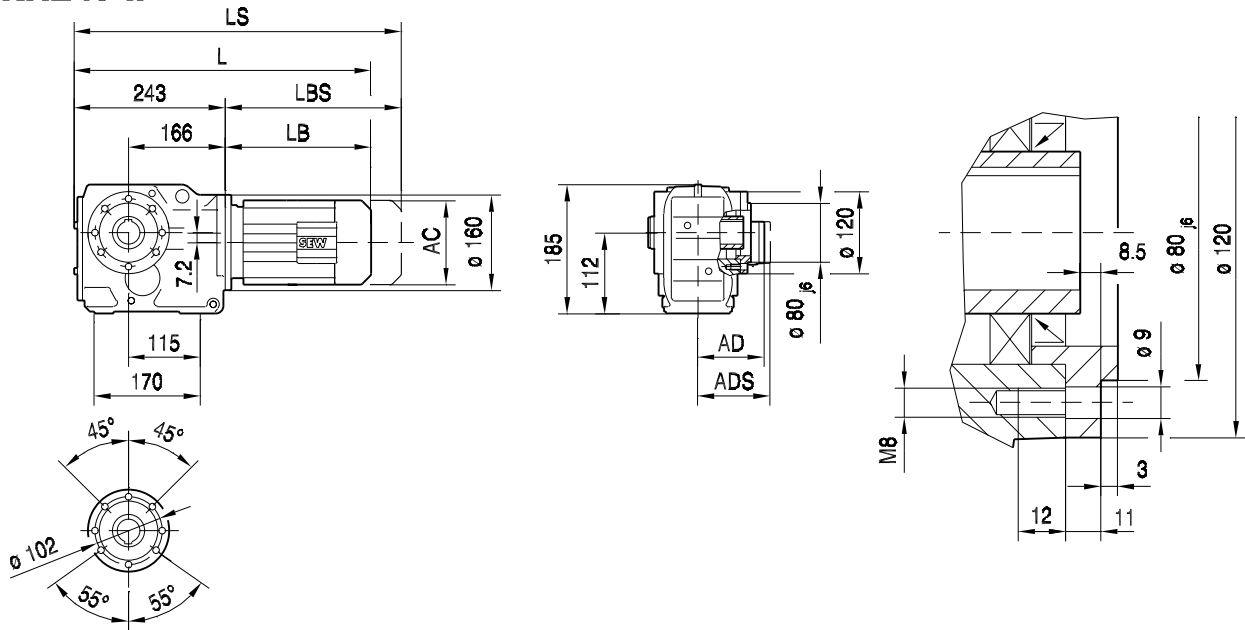


(→ 102)	DR63..	DT71D	DT80..	DT90..	DV100M	DV100L				
AC	132	145	145	197	197	197				
AD	105	122	122	154	166	166				
ADS	105	127	127	161	166	166				
L	428	442	492	512	562	592				
LS	483	506	556	597	647	677				
LB	185	199	249	269	319	349				
LBS	240	263	313	354	404	434				

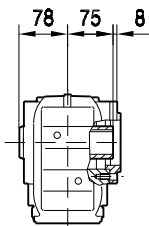


39 012 02 00

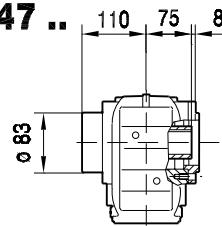
KAZ47 ..



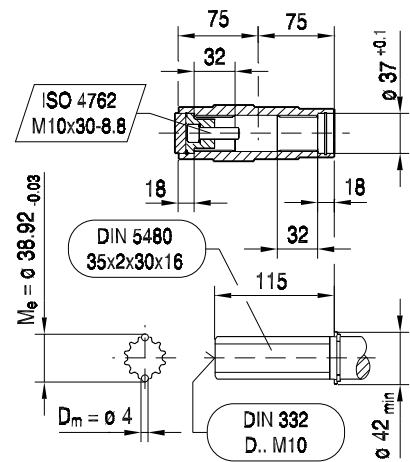
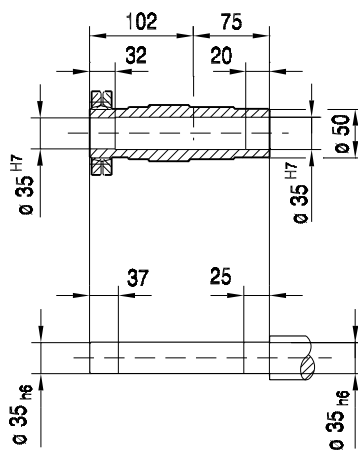
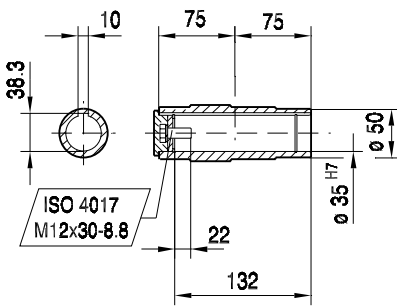
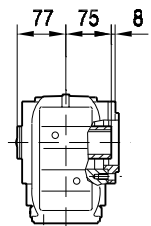
KAZ47 ..



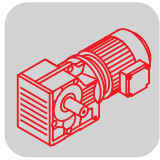
KHZ47 ..



KVZ47 ..

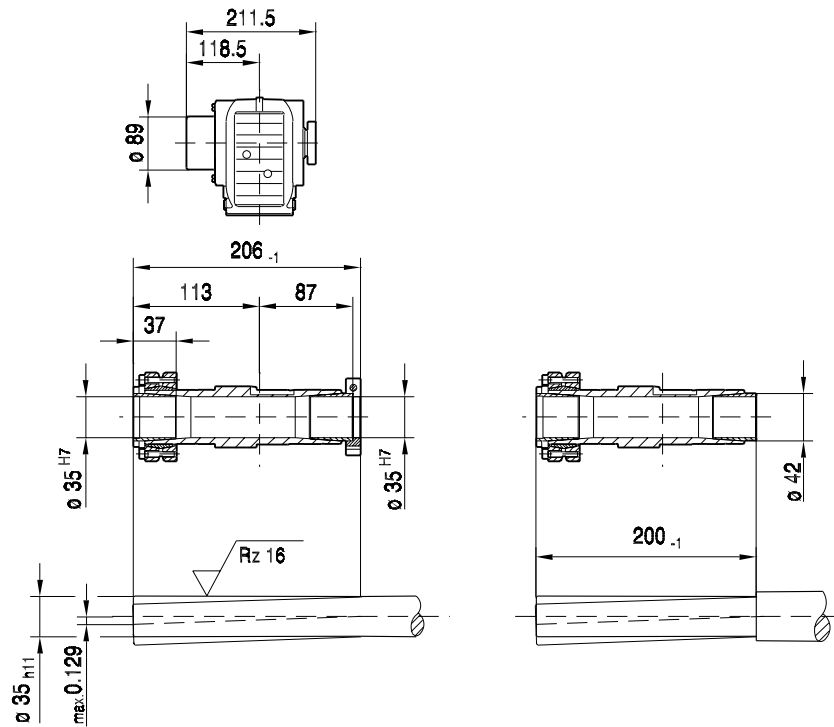
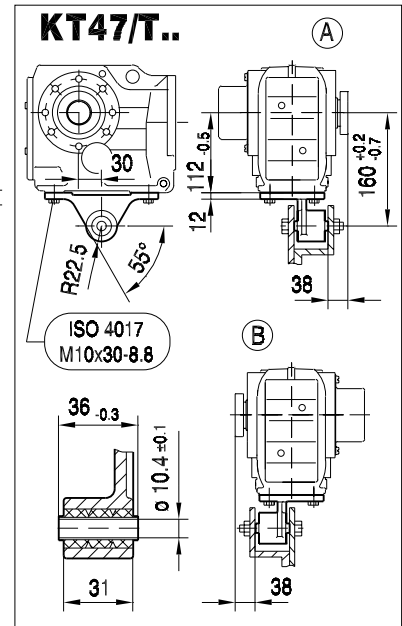
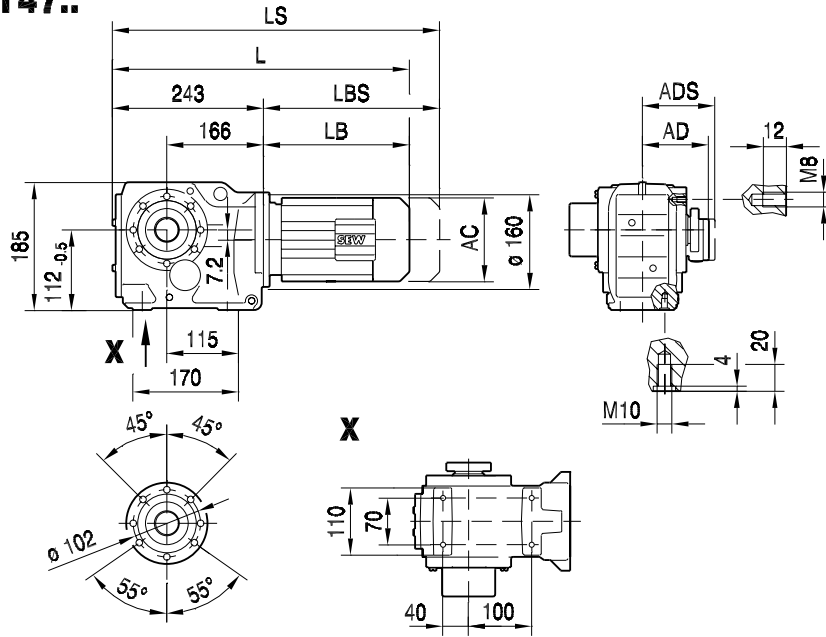


(→ 102)	DR63..	DT71D	DT80..	DT90..	DV100M	DV100L				
AC	132	145	145	197	197	197				
AD	105	122	122	154	166	166				
ADS	105	127	127	161	166	166				
L	428	442	492	512	562	592				
LS	483	506	556	597	647	677				
LB	185	199	249	269	319	349				
LBS	240	263	313	354	404	434				

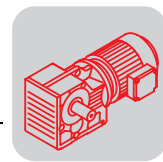


39 007 00 03

KT47..

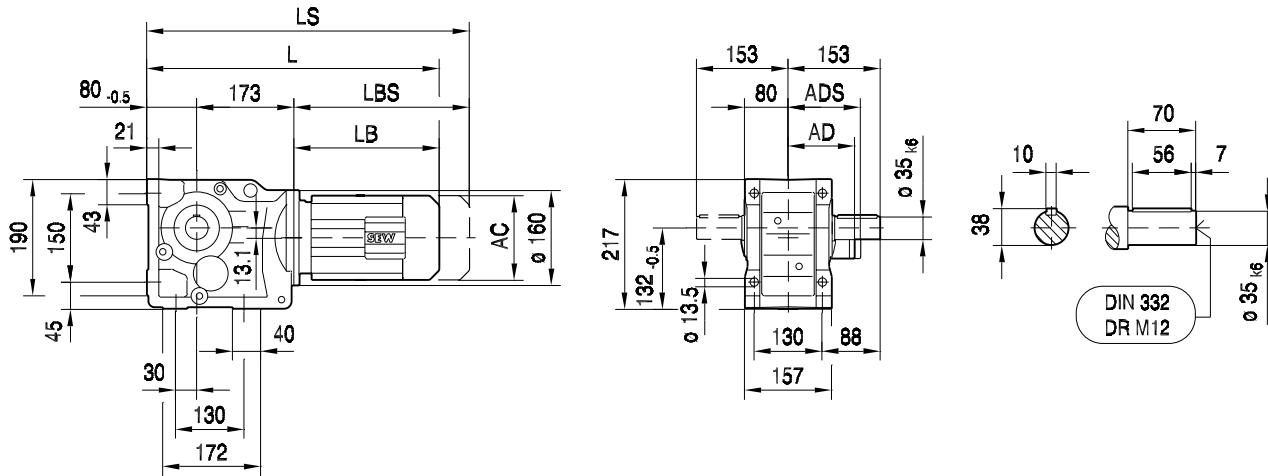


(→ 102)	DR63..	DT71D	DT80..	DT90..	DV100M	DV100L				
AC	132	145	145	197	197	197				
AD	105	122	122	154	166	166				
ADS	105	127	127	161	166	166				
L	428	442	492	512	562	592				
LS	483	506	556	597	647	677				
LB	185	199	249	269	319	349				
LBS	240	263	313	354	404	434				

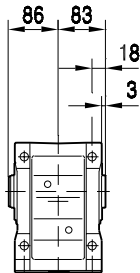


34 003 02 00

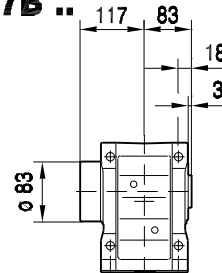
K57 ..



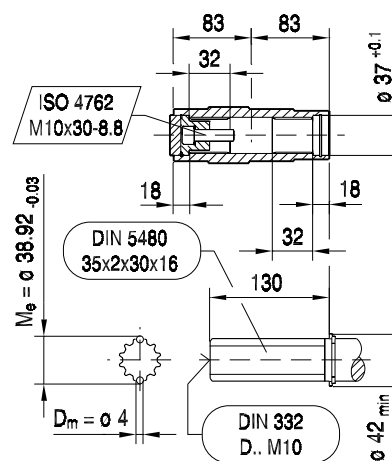
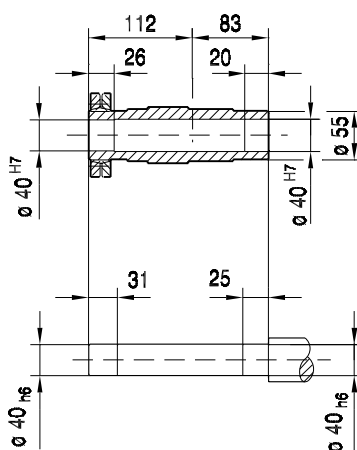
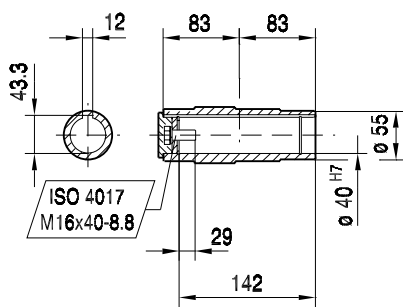
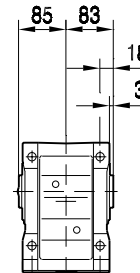
KA57B ..



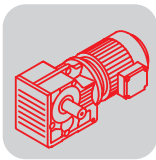
KH57B ..



KV57B ..

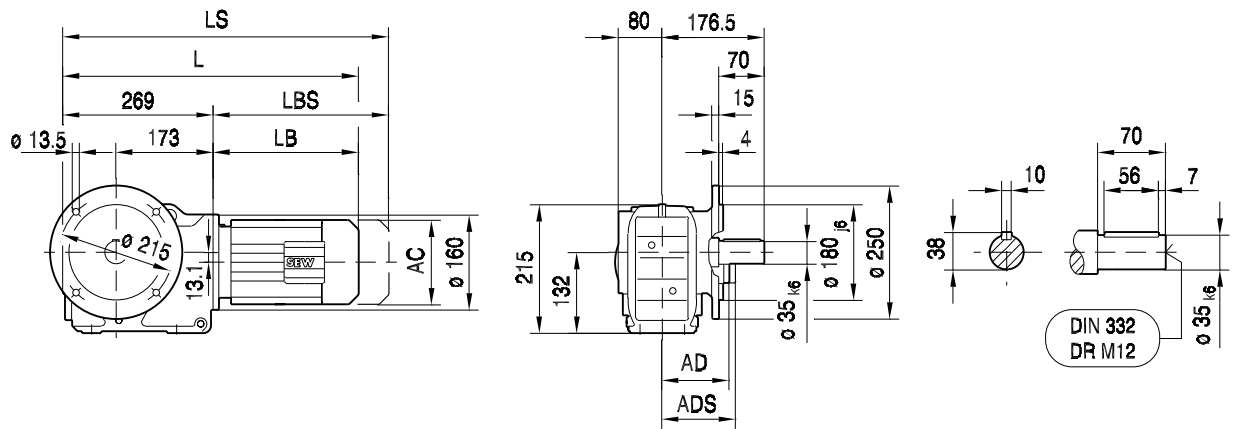


(→ 102)	DR63..	DT71D	DT80..	DT90..	DV100M	DV100L	DV112M			
AC	132	145	145	197	197	197	221			
AD	105	122	122	154	166	166	179			
ADS	105	127	127	161	166	166	182			
L	438	452	502	522	572	602	607			
LS	493	516	566	607	657	687	687			
LB	185	199	249	269	319	349	354			
LBS	240	263	313	354	404	434	434			

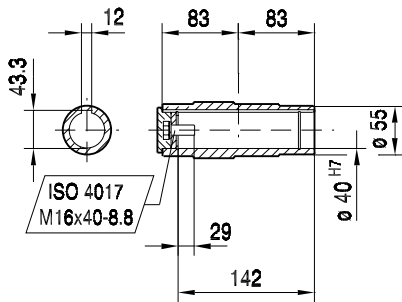
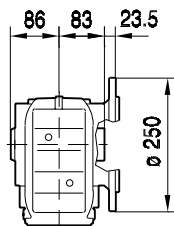


34 015 02 00

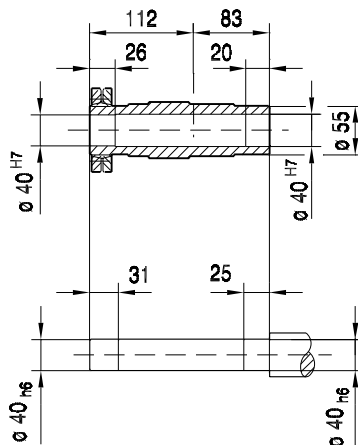
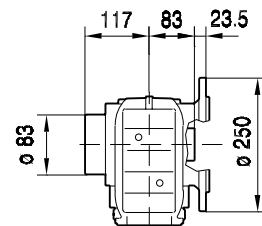
KF57..



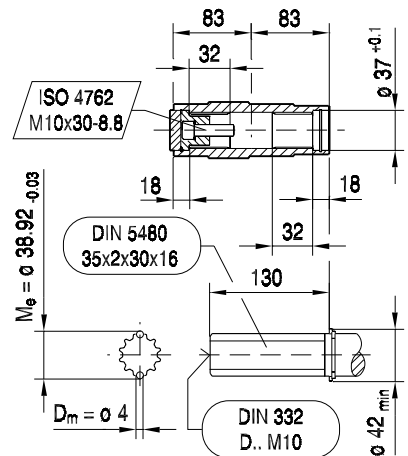
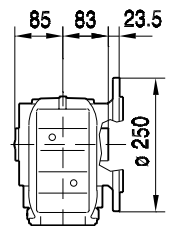
KAF57..



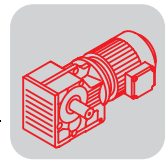
KHF57..



KVF57..

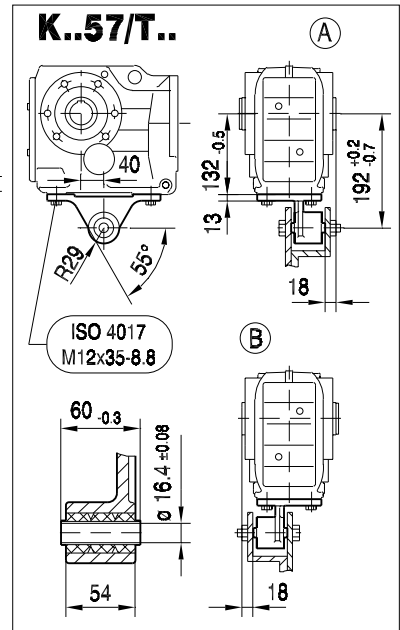
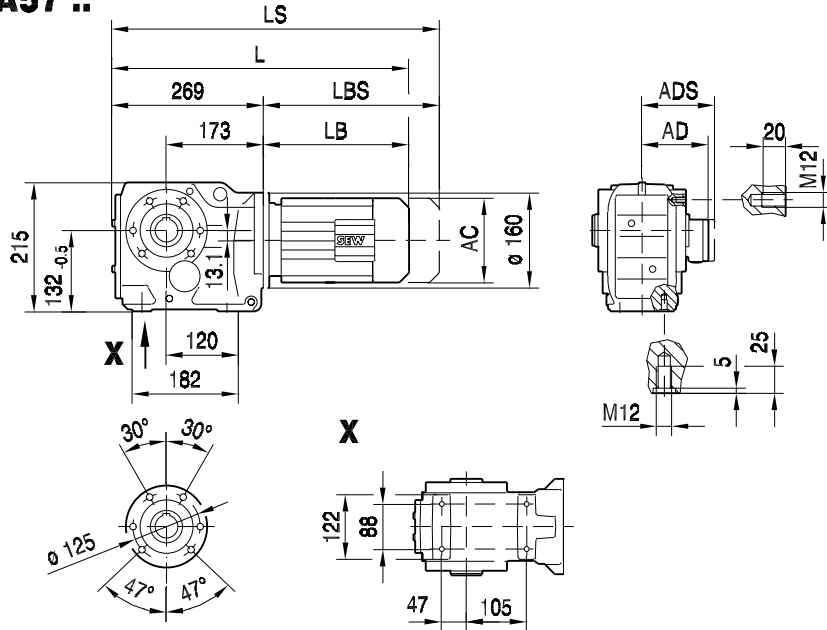


(→ 102)	DR63..	DT71D	DT80..	DT90..	DV100M	DV100L	DV112M			
AC	132	145	145	197	197	197	221			
AD	105	122	122	154	166	166	179			
ADS	105	127	127	161	166	166	182			
L	454	468	518	538	588	618	623			
LS	509	532	582	623	673	703	703			
LB	185	199	249	269	319	349	354			
LBS	240	263	313	354	404	434	434			

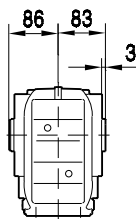


39 003 02 00

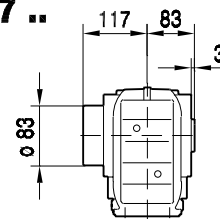
KA57 ..



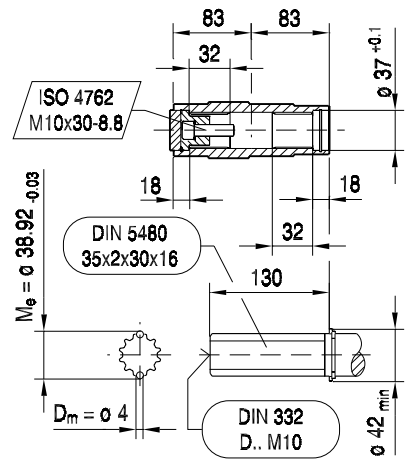
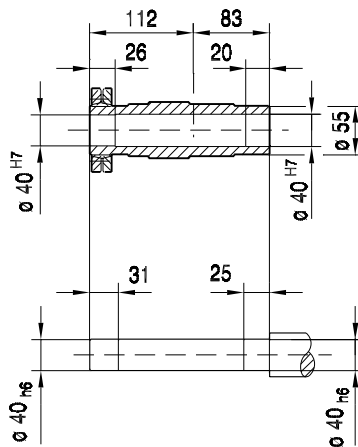
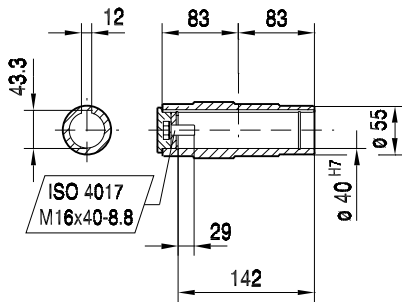
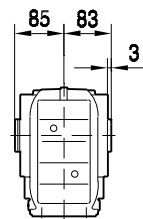
KA57 ..



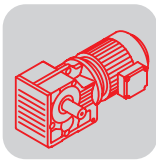
KH57 ..



KV57 ..



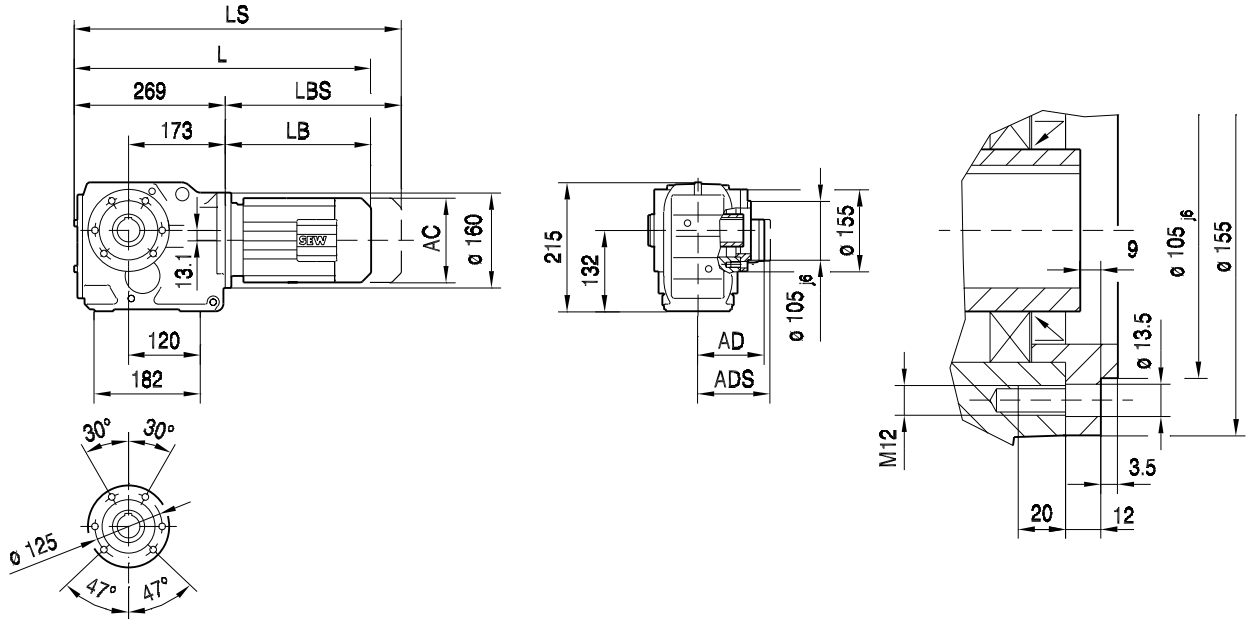
(→ 102)	DR63..	DT71D	DT80..	DT90..	DV100M	DV100L	DV112M			
AC	132	145	145	197	197	197	221			
AD	105	122	122	154	166	166	179			
ADS	105	127	127	161	166	166	182			
L	454	468	518	538	588	618	623			
LS	509	532	582	623	673	703	703			
LB	185	199	249	269	319	349	354			
LBS	240	263	313	354	404	434	434			



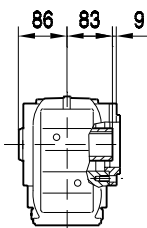
K..DR/DT/DV
K ..[mm]

39 013 02 00

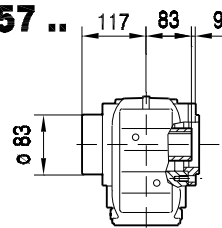
KAZ57 ..



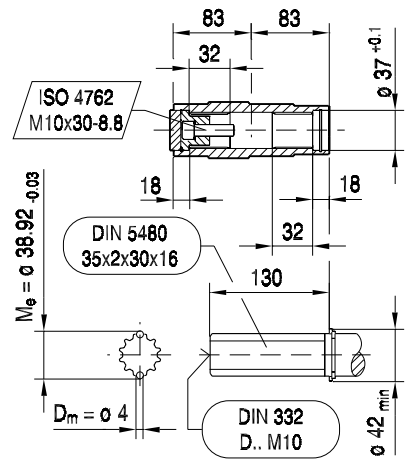
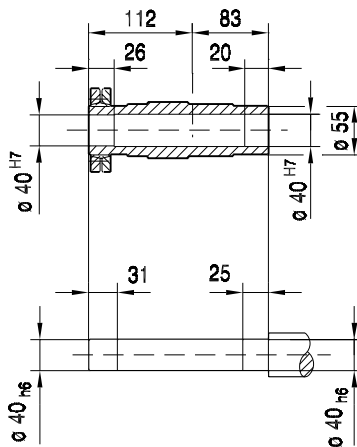
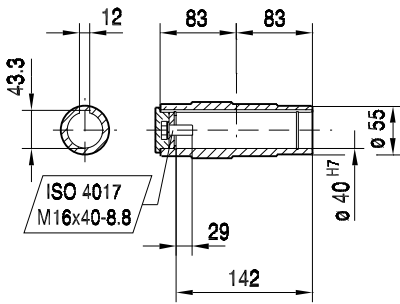
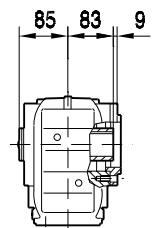
KAZ57 ..



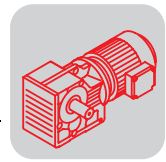
KHZ57 ..



KVZ57 ..

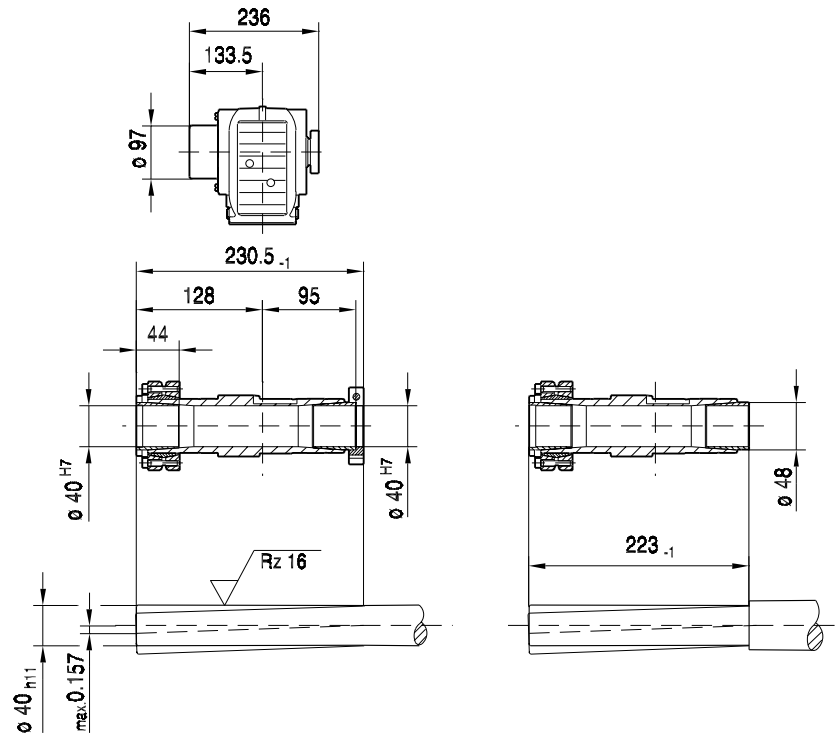
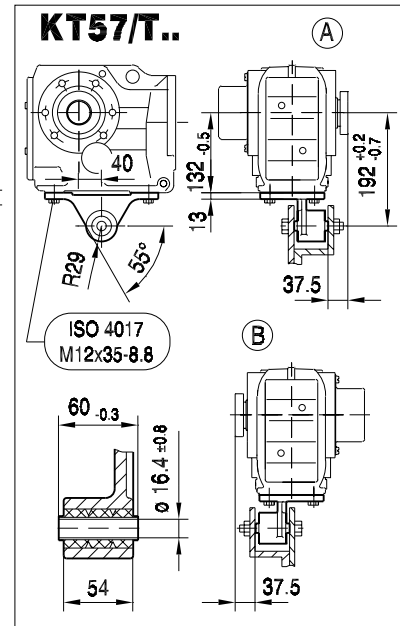
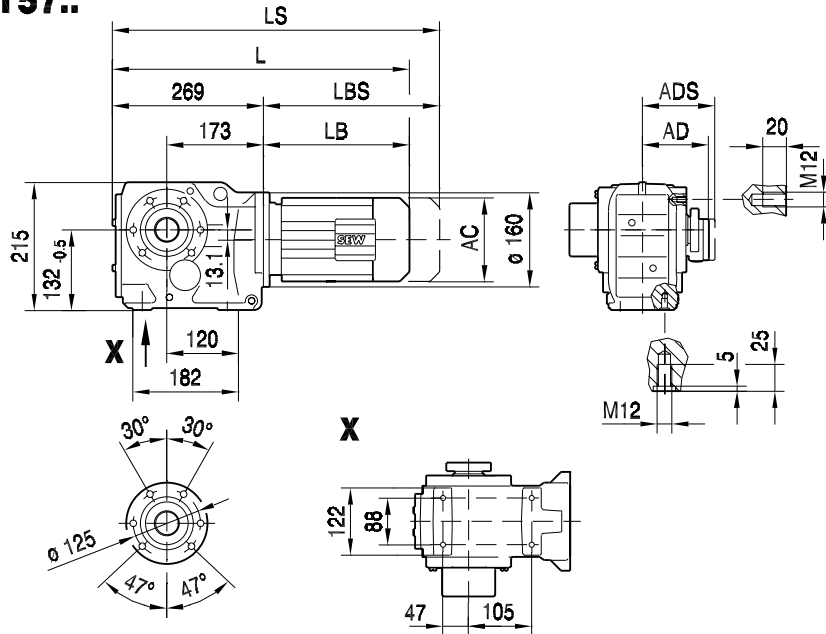


(→ 102)	DR63..	DT71D	DT80..	DT90..	DV100M	DV100L	DV112M			
AC	132	145	145	197	197	197	221			
AD	105	122	122	154	166	166	179			
ADS	105	127	127	161	166	166	182			
L	454	468	518	538	588	618	623			
LS	509	532	582	623	673	703	703			
LB	185	199	249	269	319	349	354			
LBS	240	263	313	354	404	434	434			

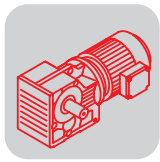


39 008 00 03

KT57..

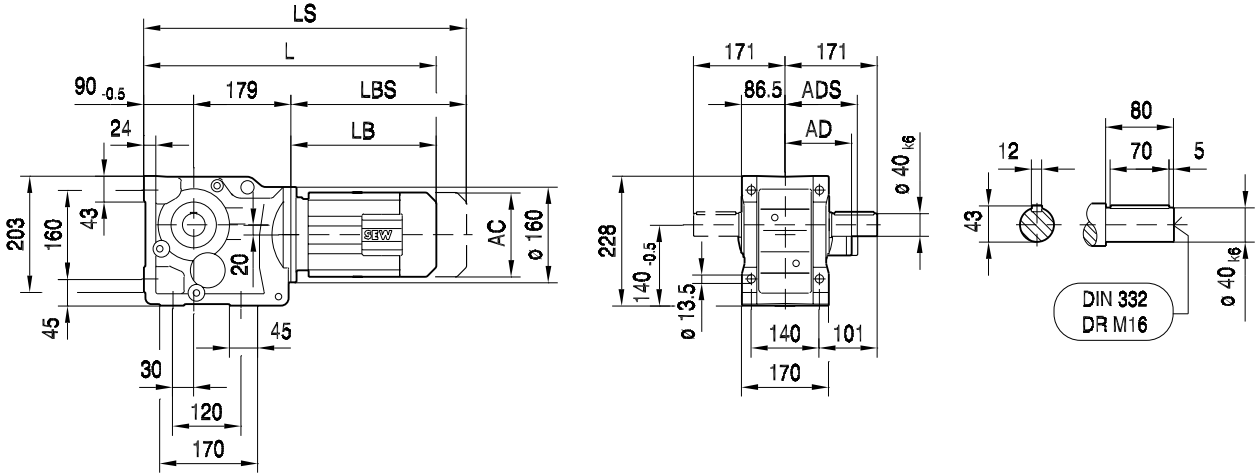


(→ 102)	DR63..	DT71D	DT80..	DT90..	DV100M	DV100L	DV112M			
AC	132	145	145	197	197	197	221			
AD	105	122	122	154	166	166	179			
ADS	105	127	127	161	166	166	182			
L	454	468	518	538	588	618	623			
LS	509	532	582	623	673	703	703			
LB	185	199	249	269	319	349	354			
LBS	240	263	313	354	404	434	434			

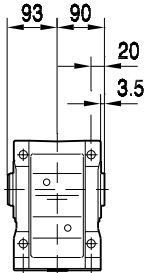


34 004 03 00

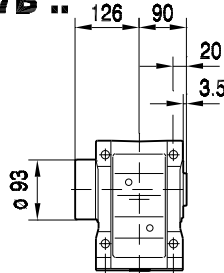
K67 ..



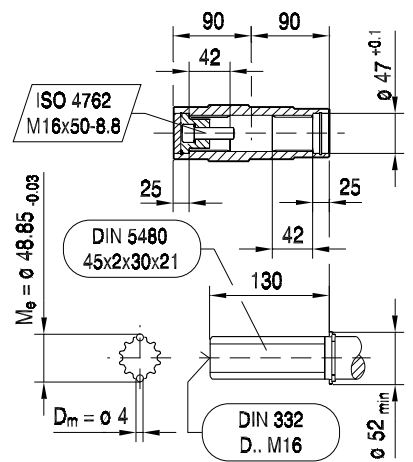
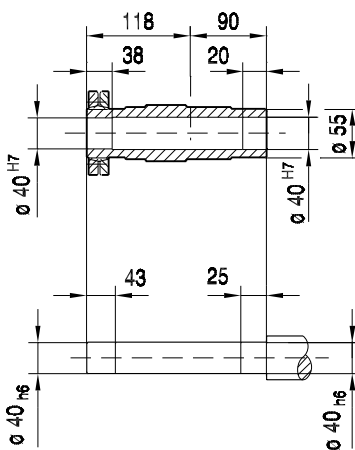
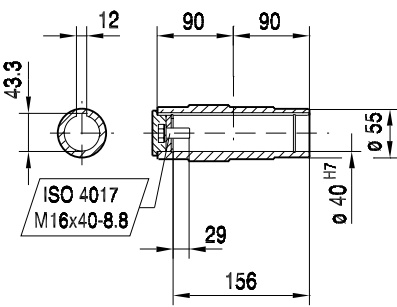
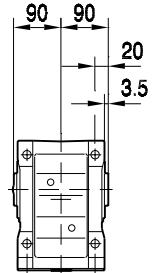
KA67B ..



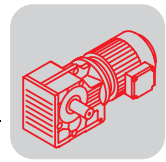
KH67B ..



KV67B ..

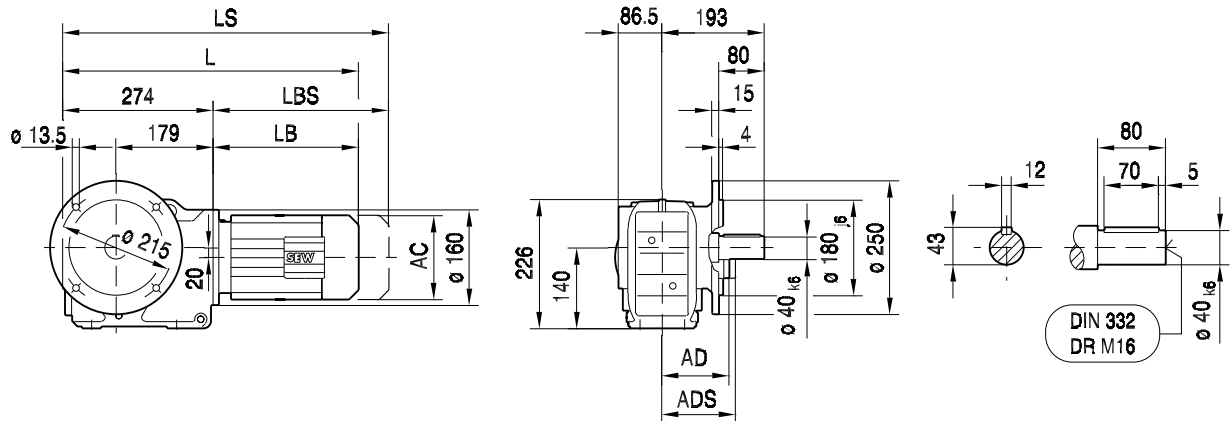


(→ 102)	DR63..	DT71D	DT80..	DT90..	DV100M	DV100L	DV112M	DV132S			
AC	132	145	145	197	197	197	221	221			
AD	105	122	122	154	166	166	179	179			
ADS	105	127	127	161	166	166	182	182			
L	454	468	518	538	588	618	623	671			
LS	509	532	582	623	673	703	703	751			
LB	185	199	249	269	319	349	354	402			
LBS	240	263	313	354	404	434	434	482			

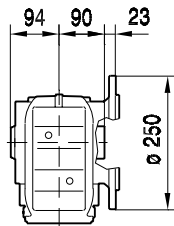


34 016 03 00

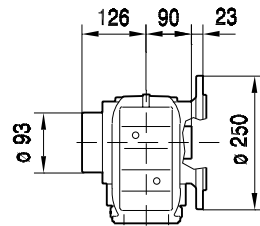
KF67..



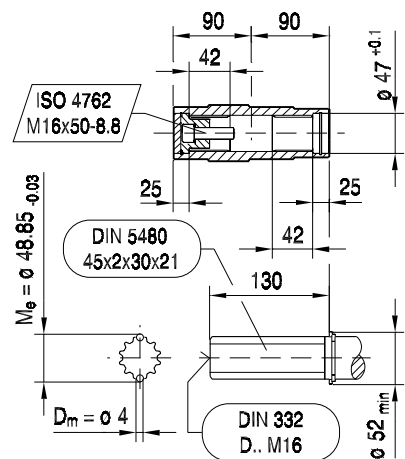
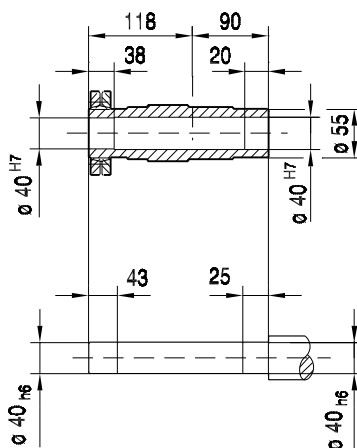
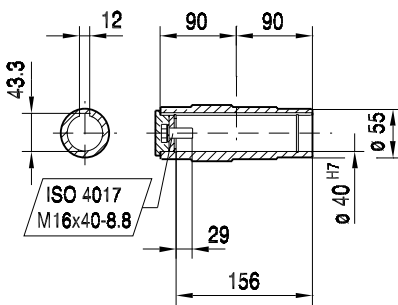
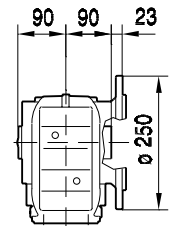
KAF67..



KHF67..

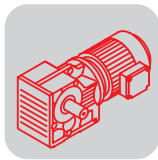


KVF67..



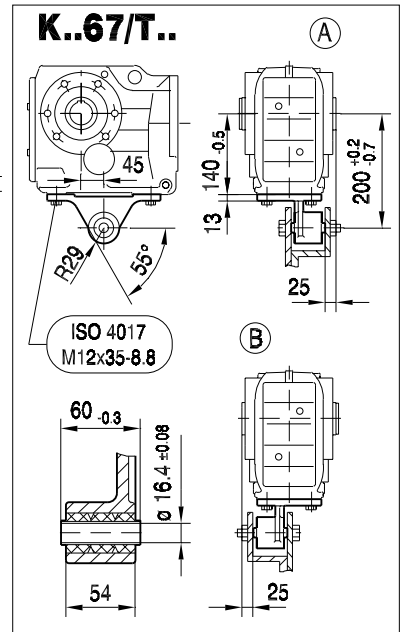
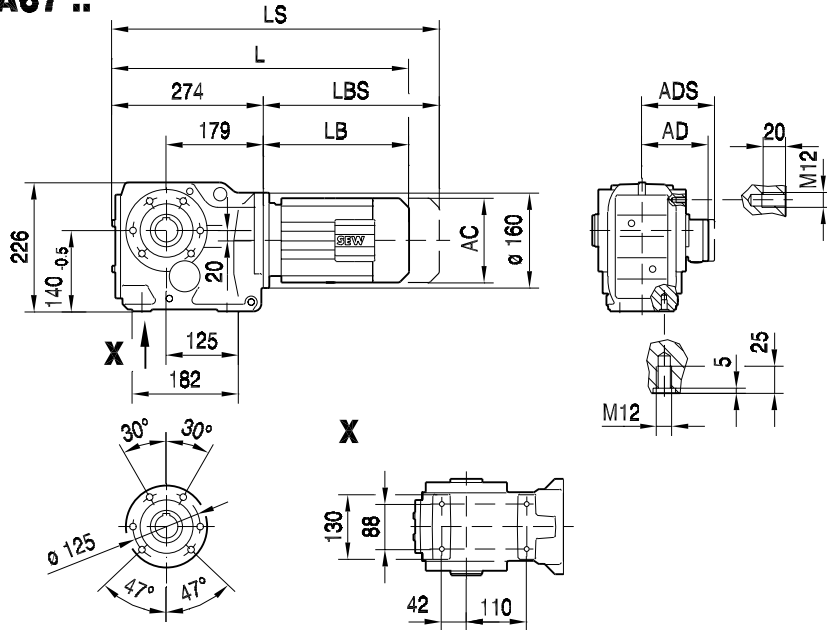
10

(→ 102)	DR63..	DT71D	DT80..	DT90..	DV100M	DV100L	DV112M	DV132S			
AC	132	145	145	197	197	197	221	221			
AD	105	122	122	154	166	166	179	179			
ADS	105	127	127	161	166	166	182	182			
L	459	473	523	543	593	623	628	676			
LS	514	537	587	628	678	708	708	756			
LB	185	199	249	269	319	349	354	402			
LBS	240	263	313	354	404	434	434	482			

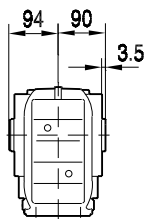


39 004 03 00

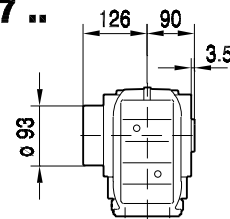
KA67 ..



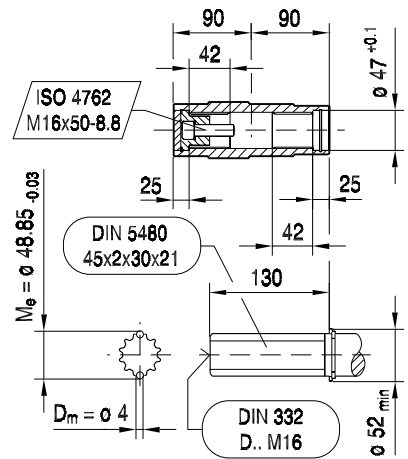
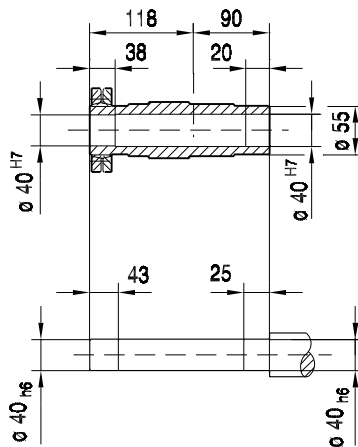
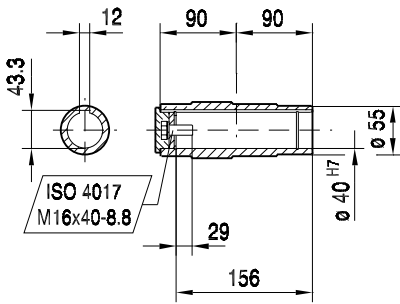
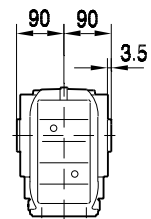
KA67 ..



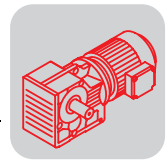
KH67 ..



KV67 ..

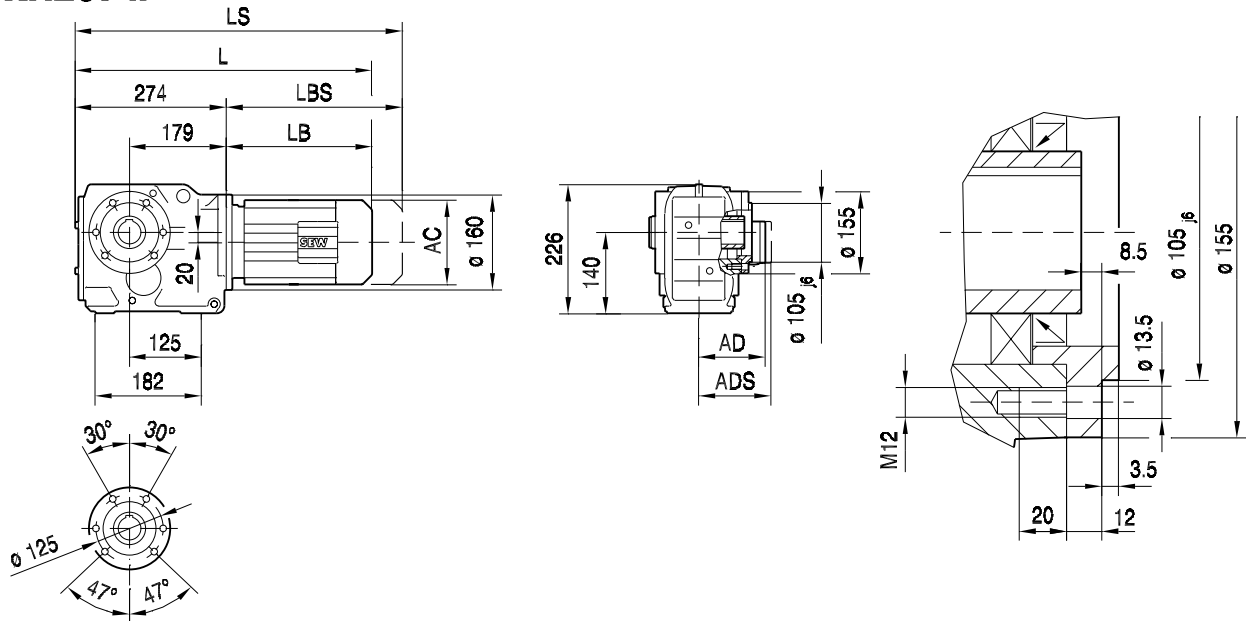


(→ 102)	DR63..	DT71D	DT80..	DT90..	DV100M	DV100L	DV112M	DV132S			
AC	132	145	145	197	197	197	221	221			
AD	105	122	122	154	166	166	179	179			
ADS	105	127	127	161	166	166	182	182			
L	459	473	523	543	593	623	628	676			
LS	514	537	587	628	678	708	708	756			
LB	185	199	249	269	319	349	354	402			
LBS	240	263	313	354	404	434	434	482			

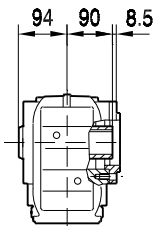


39 014 03 00

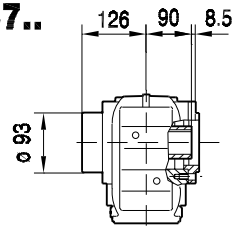
KAZ67 ..



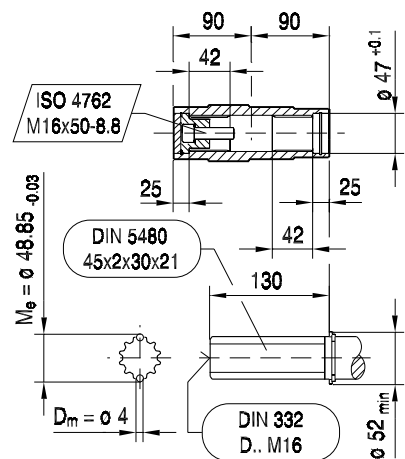
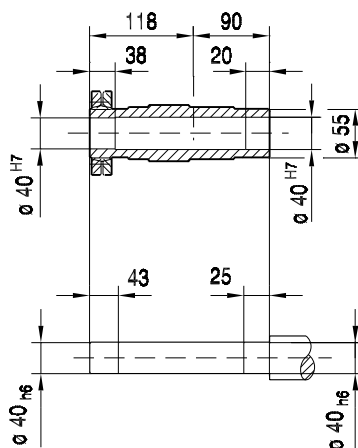
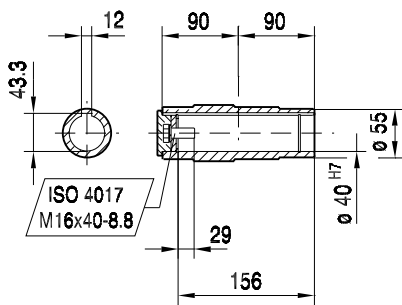
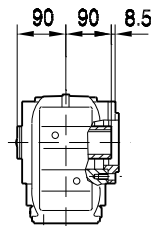
KAZ67..



KHZ67..

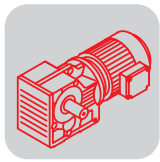


KVZ67..



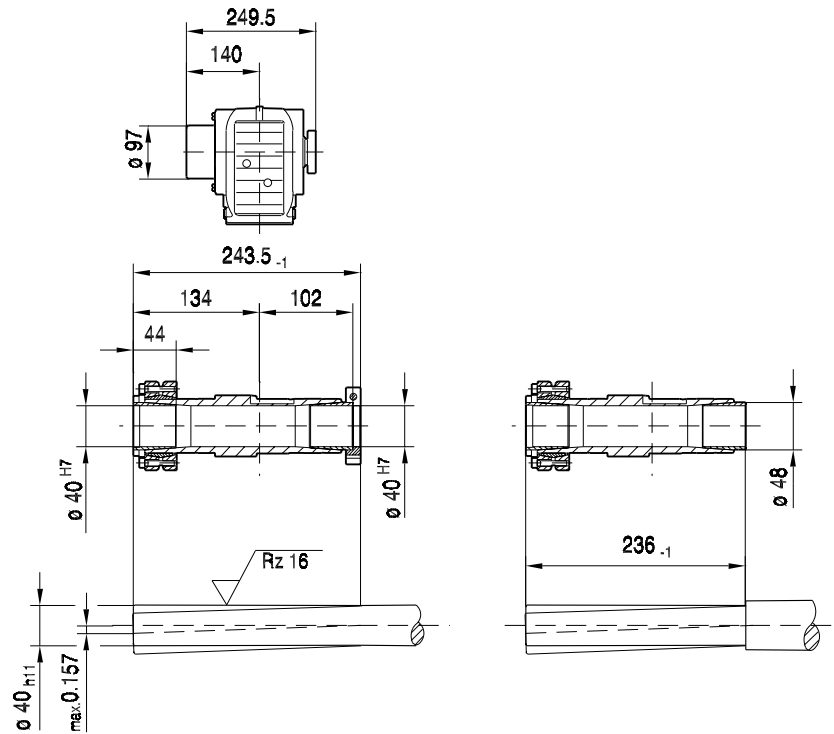
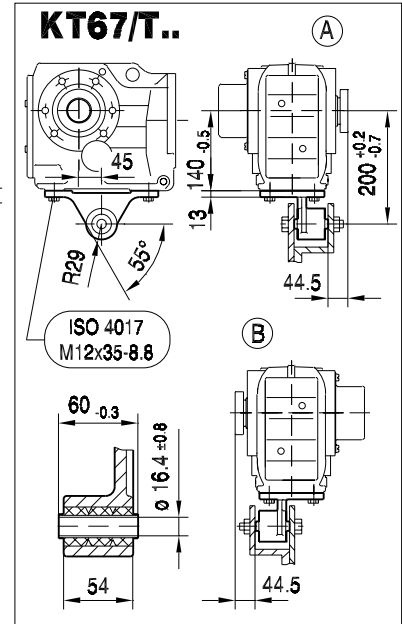
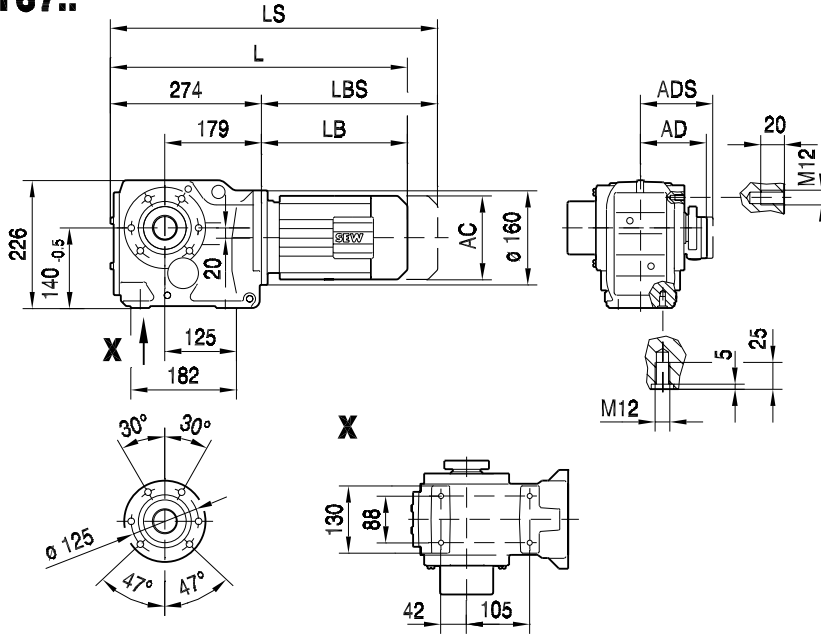
10

(→ 102)	DR63..	DT71D	DT80..	DT90..	DV100M	DV100L	DV112M	DV132S			
AC	132	145	145	197	197	197	221	221			
AD	105	122	122	154	166	166	179	179			
ADS	105	127	127	161	166	166	182	182			
L	459	473	523	543	593	623	628	676			
LS	514	537	587	628	678	708	708	756			
LB	185	199	249	269	319	349	354	402			
LBS	240	263	313	354	404	434	434	482			

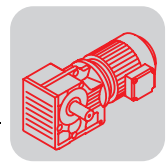


39 009 00 03

KT67..

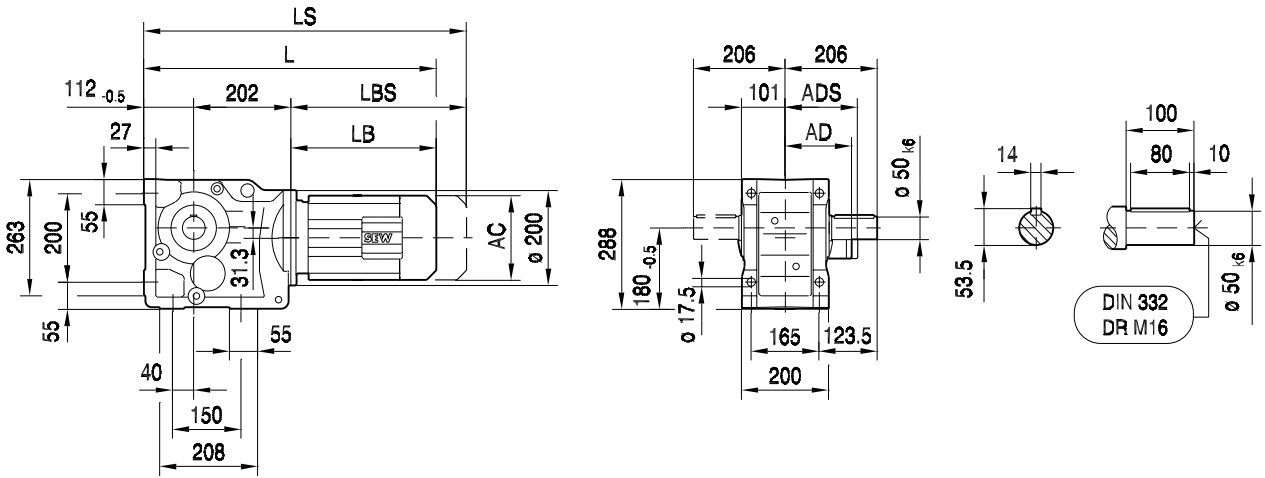


(→ 102)	DR63..	DT71D	DT80..	DT90..	DV100M	DV100L	DV112M	DV132S			
AC	132	145	145	197	197	197	221	221			
AD	105	122	122	154	166	166	179	179			
ADS	105	127	127	161	166	166	182	182			
L	459	473	523	543	593	623	628	676			
LS	514	537	587	628	678	708	708	756			
LB	185	199	249	269	319	349	354	402			
LBS	240	263	313	354	404	434	434	482			

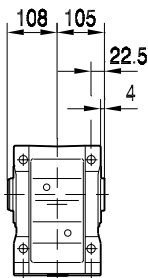


34 005 03 00

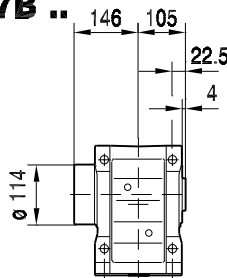
K77 ..



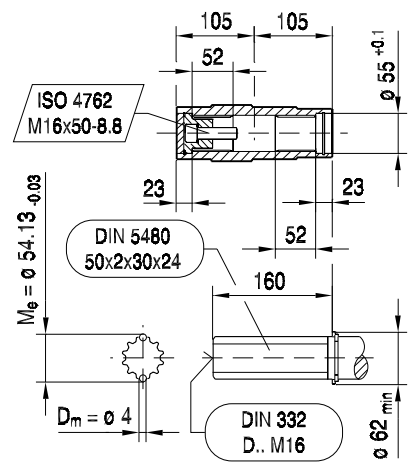
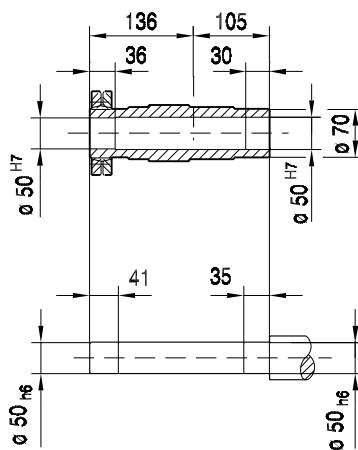
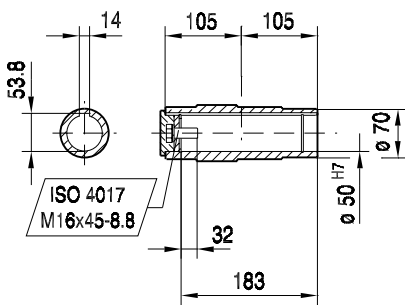
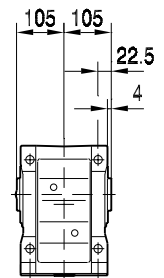
KA77B ..



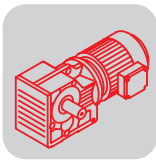
KH77B ..



KV77B ..

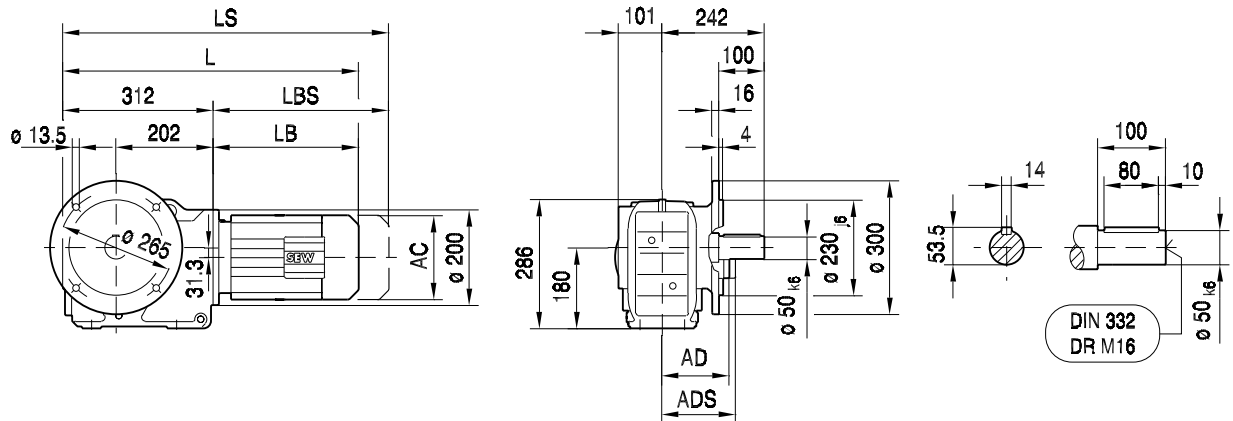


(→ 102)	DT71D	DT80..	DT90..	DV100M	DV100L	DV112M	DV132S	DV132M	DV132ML	DV160M
AC	145	145	197	197	197	221	221	275	275	275
AD	122	122	154	166	166	179	179	230	230	230
ADS	127	127	161	166	166	182	182	230	230	230
L	507	557	575	625	655	659	704	726	786	786
LS	571	621	660	710	740	739	784	838	898	898
LB	193	243	261	311	341	345	390	412	472	472
LBS	257	307	346	396	426	425	470	524	584	584

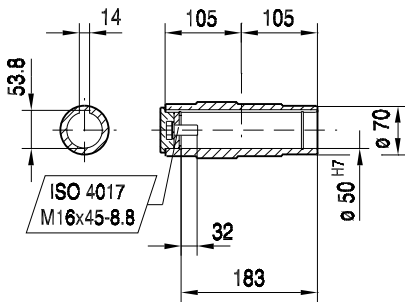
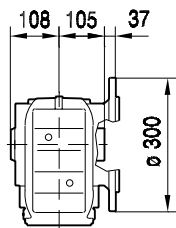


34 017 03 00

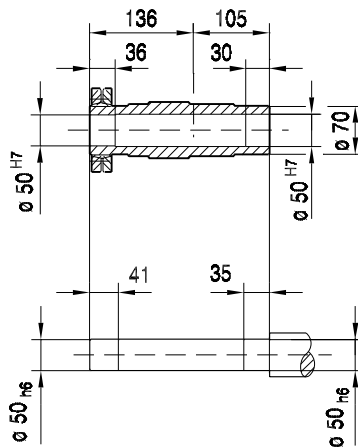
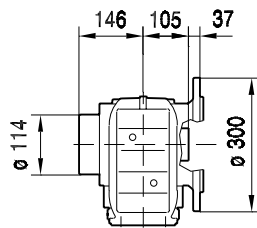
KF77..



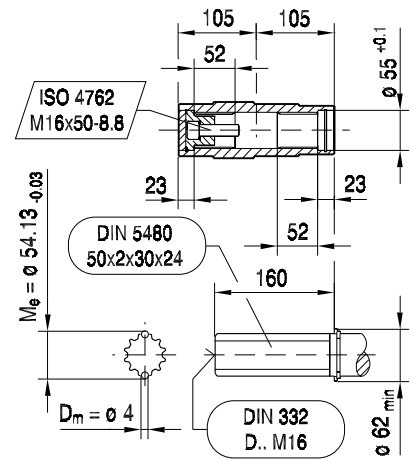
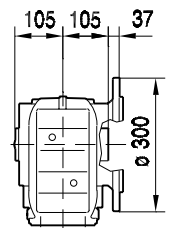
KAF77..



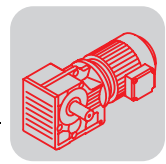
KHF77..



KVF77..

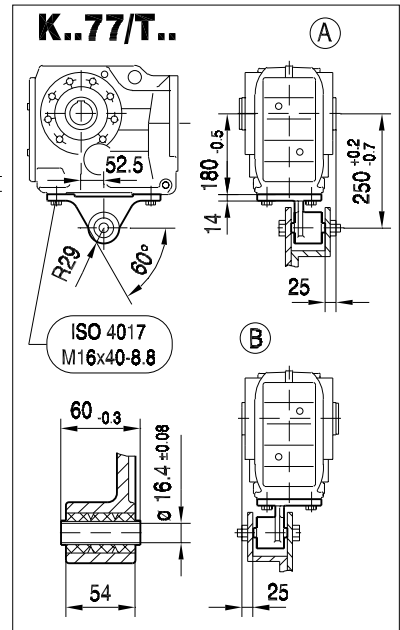
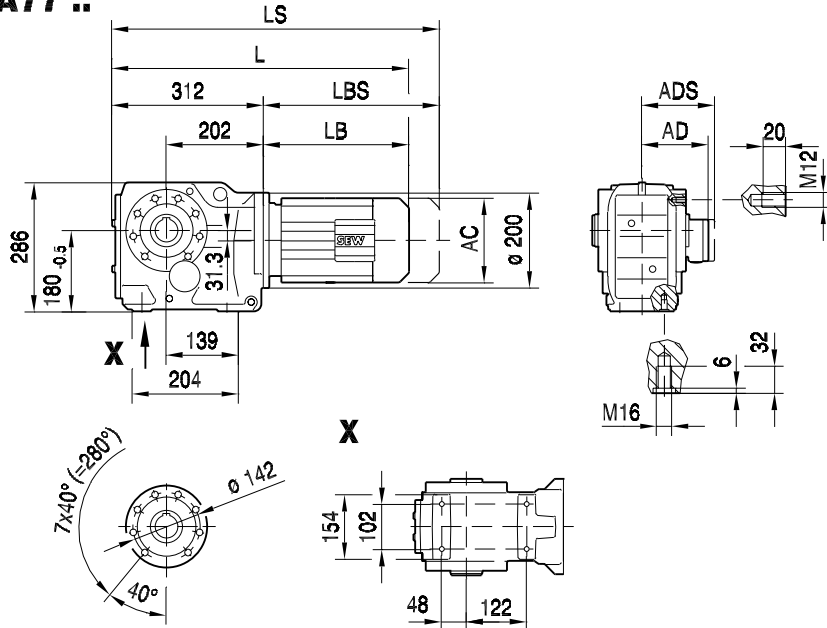


(→ 102)	DT71D	DT80..	DT90..	DV100M	DV100L	DV112M	DV132S	DV132M	DV132ML	DV160M
AC	145	145	197	197	197	221	221	275	275	275
AD	122	122	154	166	166	179	179	230	230	230
ADS	127	127	161	166	166	182	182	230	230	230
L	505	555	573	623	653	657	702	724	784	784
LS	569	619	658	708	738	737	782	836	896	896
LB	193	243	261	311	341	345	390	412	472	472
LBS	257	307	346	396	426	425	470	524	584	584

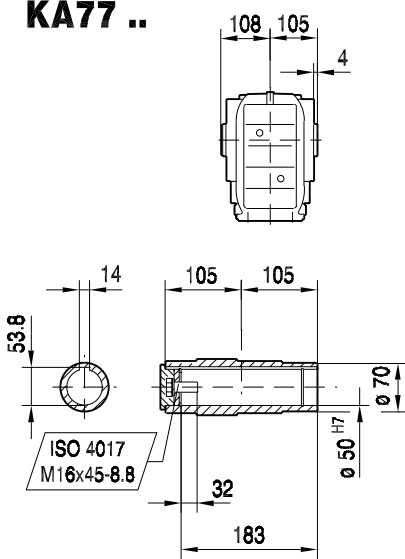


39 005 03 00

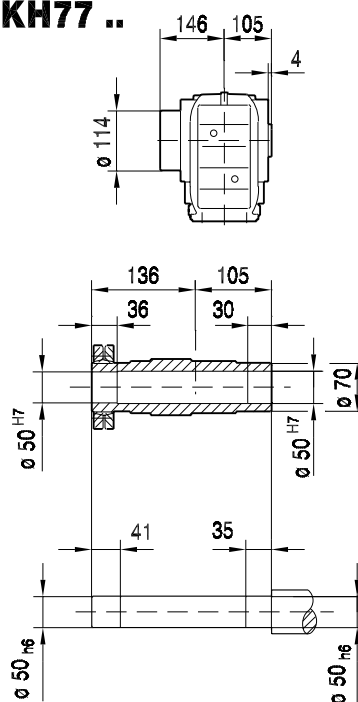
KA77 ..



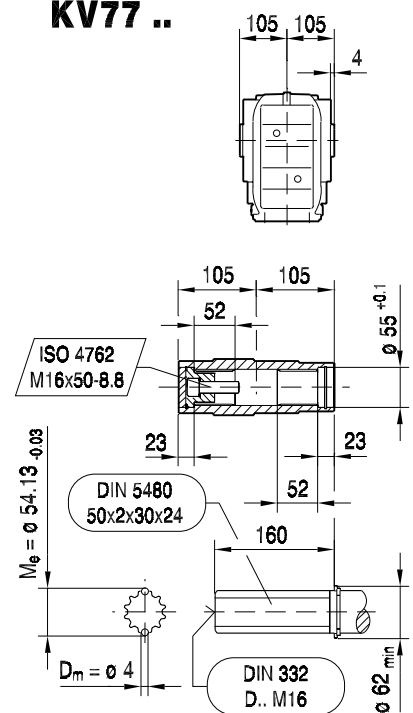
KA77 ..



KH77 ..

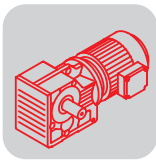


KV77 ..



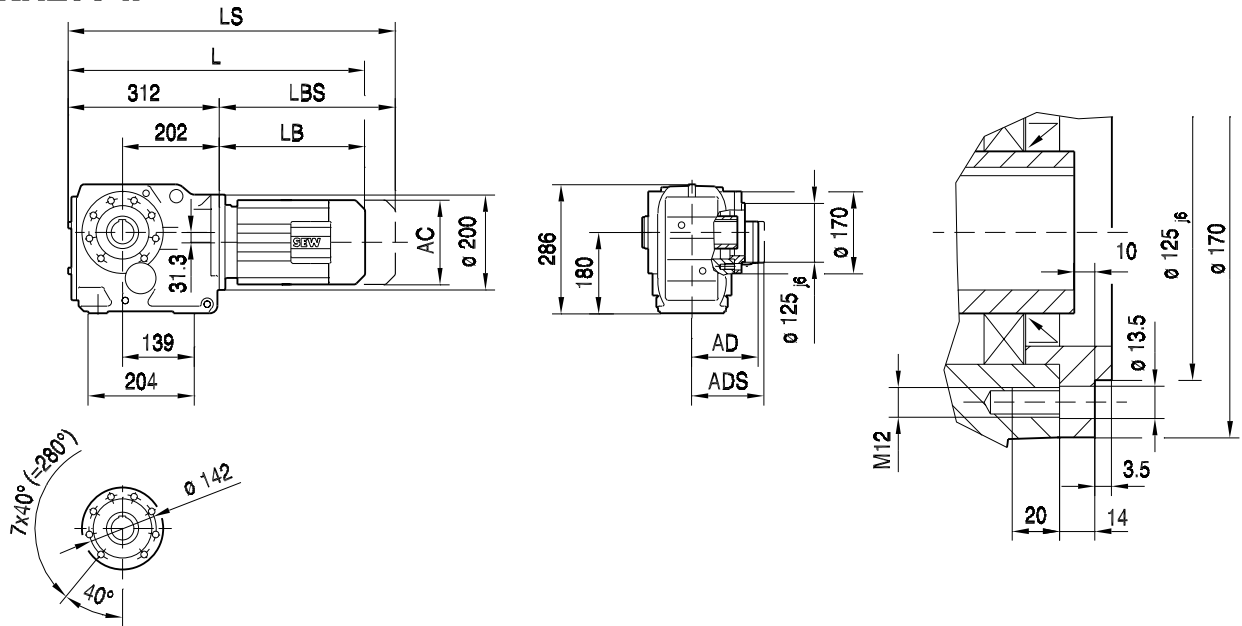
10

(→ 102)	DT71D	DT80..	DT90..	DV100M	DV100L	DV112M	DV132S	DV132M	DV132ML	DV160M
AC	145	145	197	197	197	221	221	275	275	275
AD	122	122	154	166	166	179	179	230	230	230
ADS	127	127	161	166	166	182	182	230	230	230
L	505	555	573	623	653	657	702	724	784	784
LS	569	619	658	708	738	737	782	836	896	896
LB	193	243	261	311	341	345	390	412	472	472
LBS	257	307	346	396	426	425	470	524	584	584

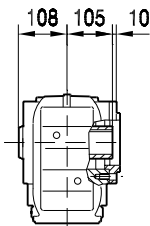


39 015 03 00

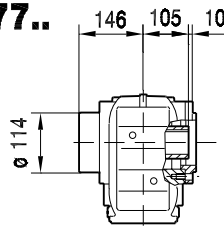
KAZ77 ..



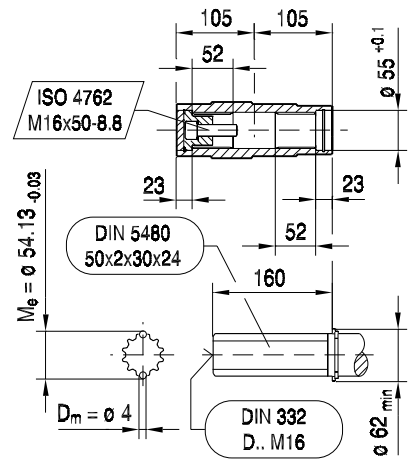
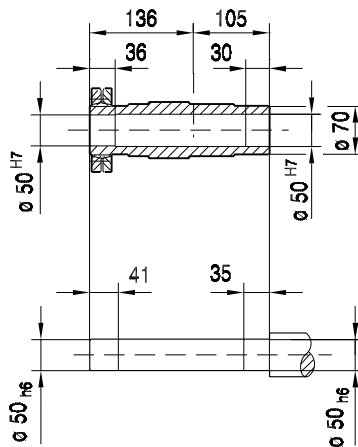
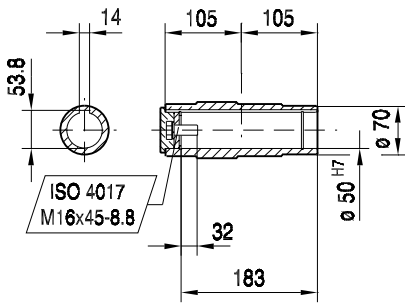
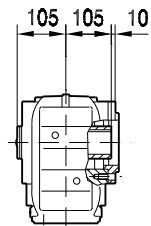
KAZ77..



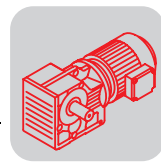
KHZ77..



KVZ77..

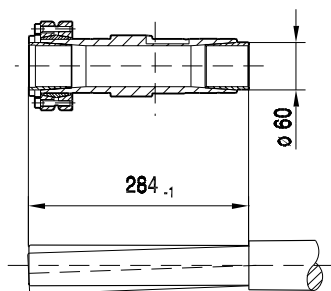
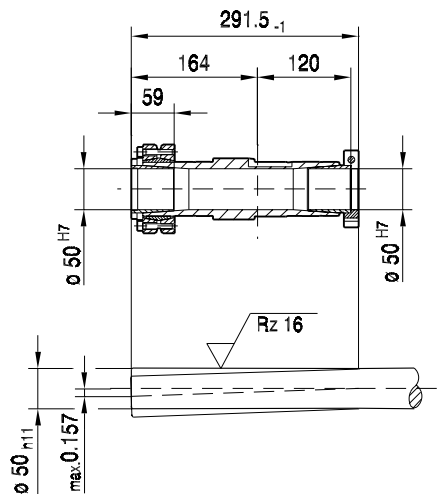
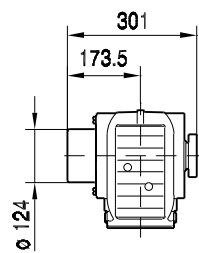
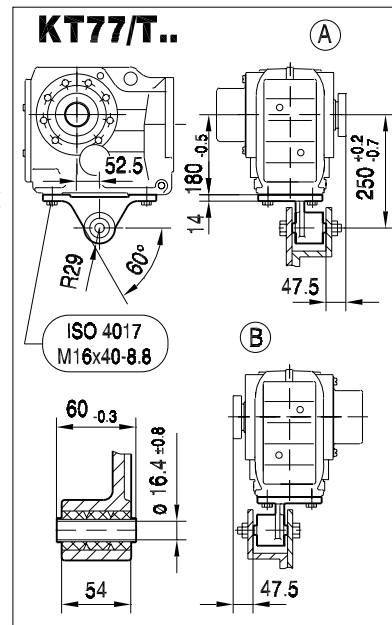
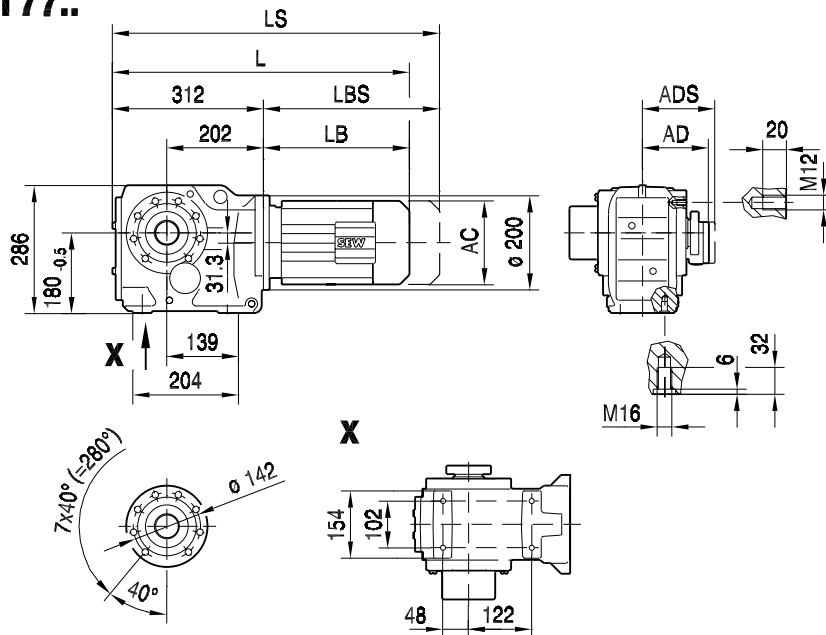


(→ 102)	DT71D	DT80..	DT90..	DV100M	DV100L	DV112M	DV132S	DV132M	DV132ML	DV160M
AC	145	145	197	197	197	221	221	275	275	275
AD	122	122	154	166	166	179	179	230	230	230
ADS	127	127	161	166	166	182	182	230	230	230
L	505	555	573	623	653	657	702	724	784	784
LS	569	619	658	708	738	737	782	836	896	896
LB	193	243	261	311	341	345	390	412	472	472
LBS	257	307	346	396	426	425	470	524	584	584



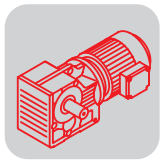
39 010 00 03

KT77..



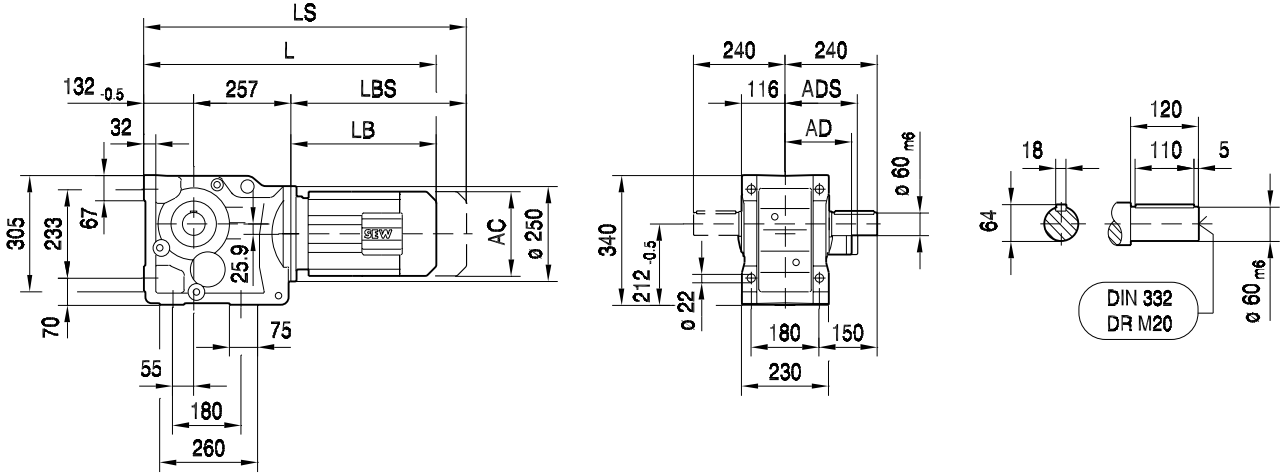
10

(→ 102)	DT71D	DT80..	DT90..	DV100M	DV100L	DV112M	DV132S	DV132M	DV132ML	DV160M
AC	145	145	197	197	197	221	221	275	275	275
AD	122	122	154	166	166	179	179	230	230	230
ADS	127	127	161	166	166	182	182	230	230	230
L	505	555	573	623	653	657	702	724	784	784
LS	569	619	658	708	738	737	782	836	896	896
LB	193	243	261	311	341	345	390	412	472	472
LBS	257	307	346	396	426	425	470	524	584	584

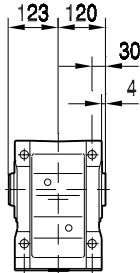


34 006 03 00

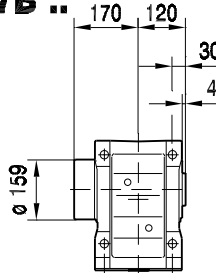
K87 ..



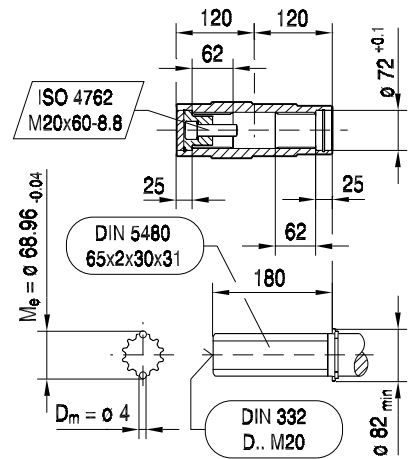
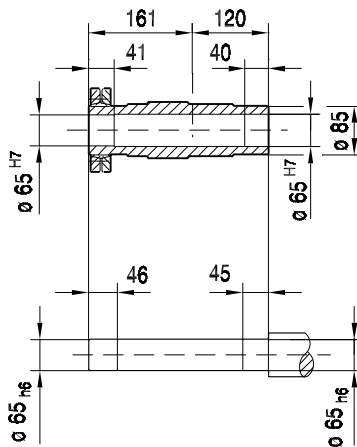
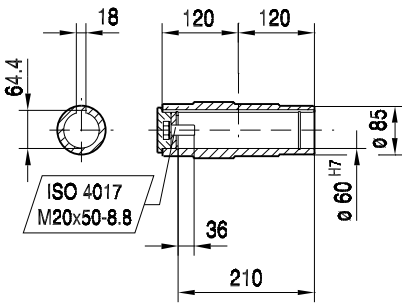
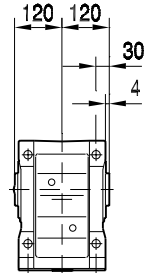
KA87B ..



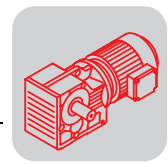
KH87B ..



KV87B ..

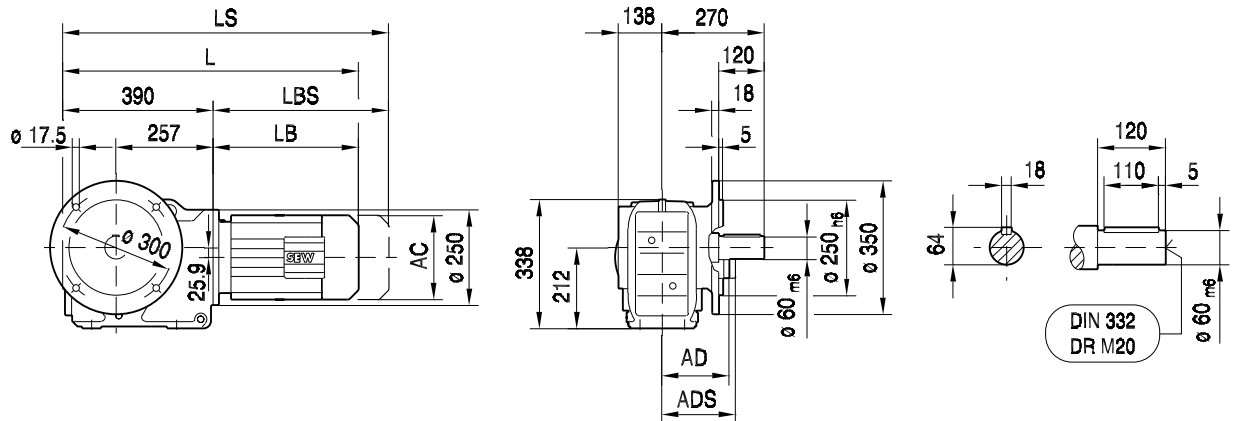


(→ 102)	DT80..	DT90..	DV100M	DV100L	DV112M	DV132S	DV132M	DV132ML	DV160M	DV160L	DV180..
AC	145	197	197	197	221	221	275	275	275	331	331
AD	122	154	166	166	179	179	230	230	230	258	258
ADS	127	161	166	166	182	182	230	230	230	258	258
L	627	646	696	726	729	774	796	856	856	903	975
LS	691	731	781	811	809	854	908	968	968	1059	1131
LB	238	257	307	337	340	385	407	467	467	514	586
LBS	302	342	392	422	420	465	519	579	579	670	742

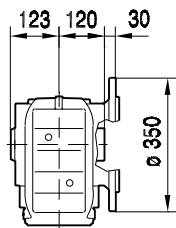


34 018 03 00

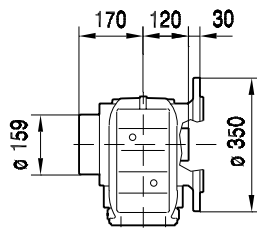
KF87..



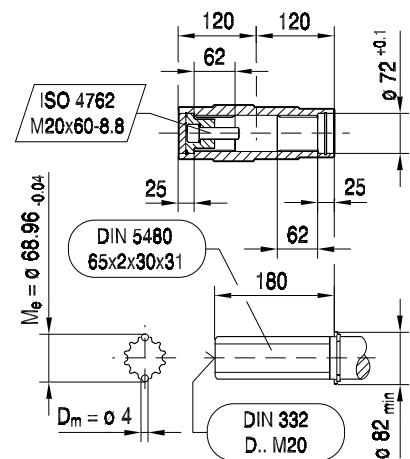
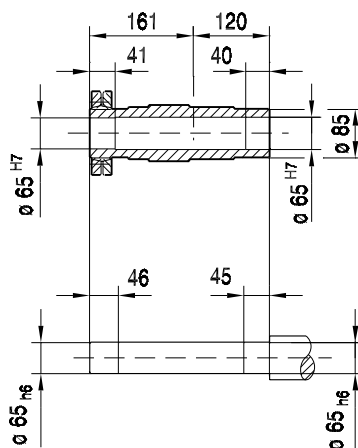
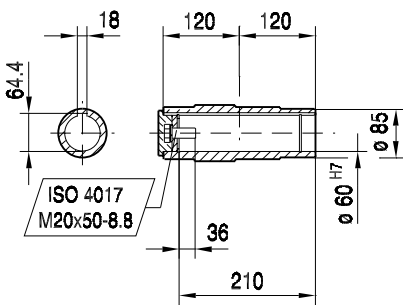
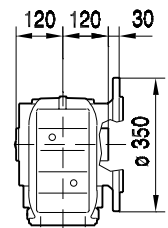
KAF87..



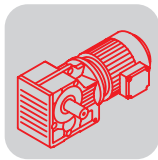
KHF87..



KVF87..

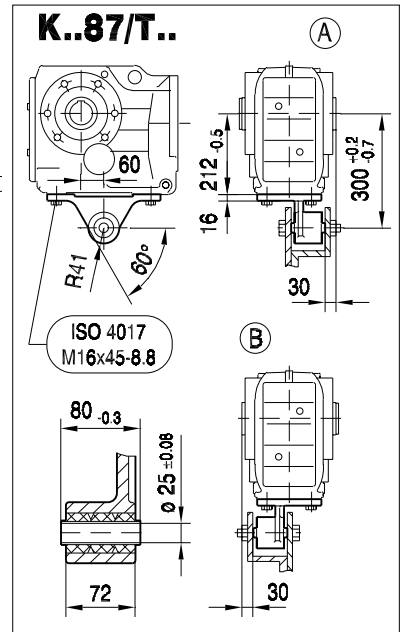
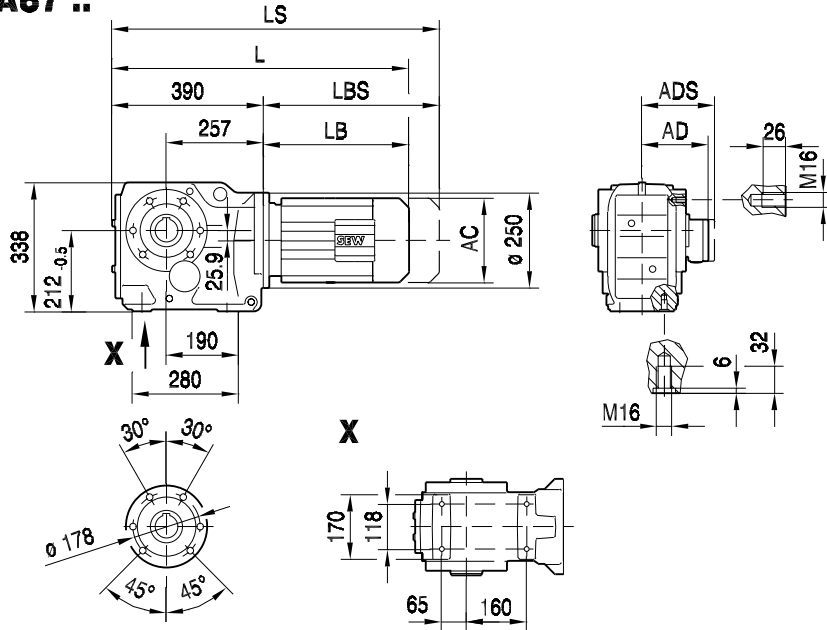


(→ 102)	DT80..	DT90..	DV100M	DV100L	DV112M	DV132S	DV132M	DV132ML	DV160M	DV160L	DV180..
AC	145	197	197	197	221	221	275	275	275	331	331
AD	122	154	166	166	179	179	230	230	230	258	258
ADS	127	161	166	166	182	182	230	230	230	258	258
L	628	647	697	727	730	775	797	857	857	904	976
LS	692	732	782	812	810	855	909	969	969	1060	1132
LB	238	257	307	337	340	385	407	467	467	514	586
LBS	302	342	392	422	420	465	519	579	579	670	742

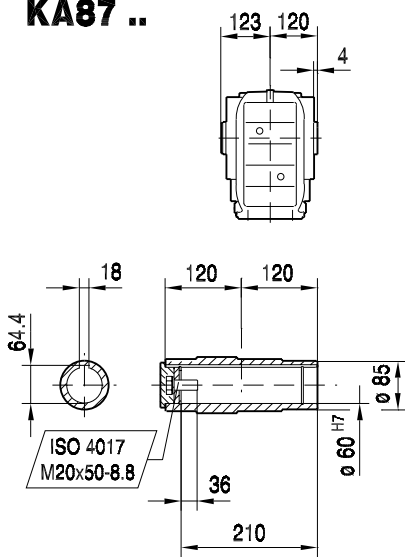


39 006 03 00

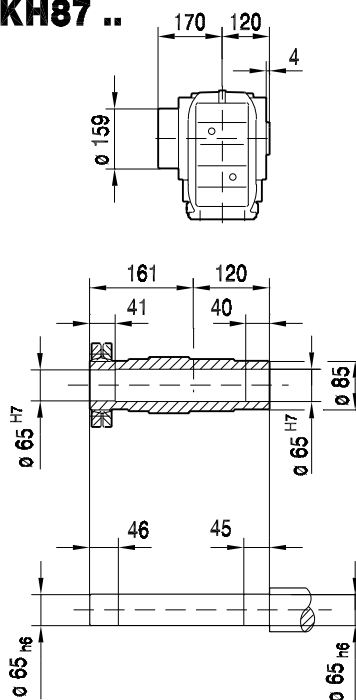
KA87 ..



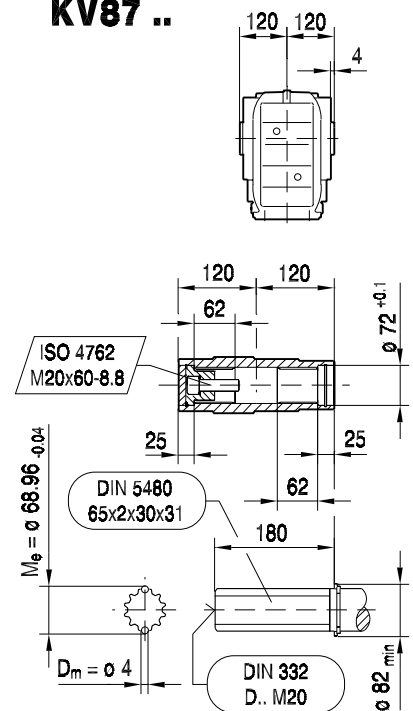
KA87 ..



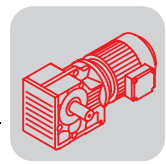
KH87 ..



KV87 ..

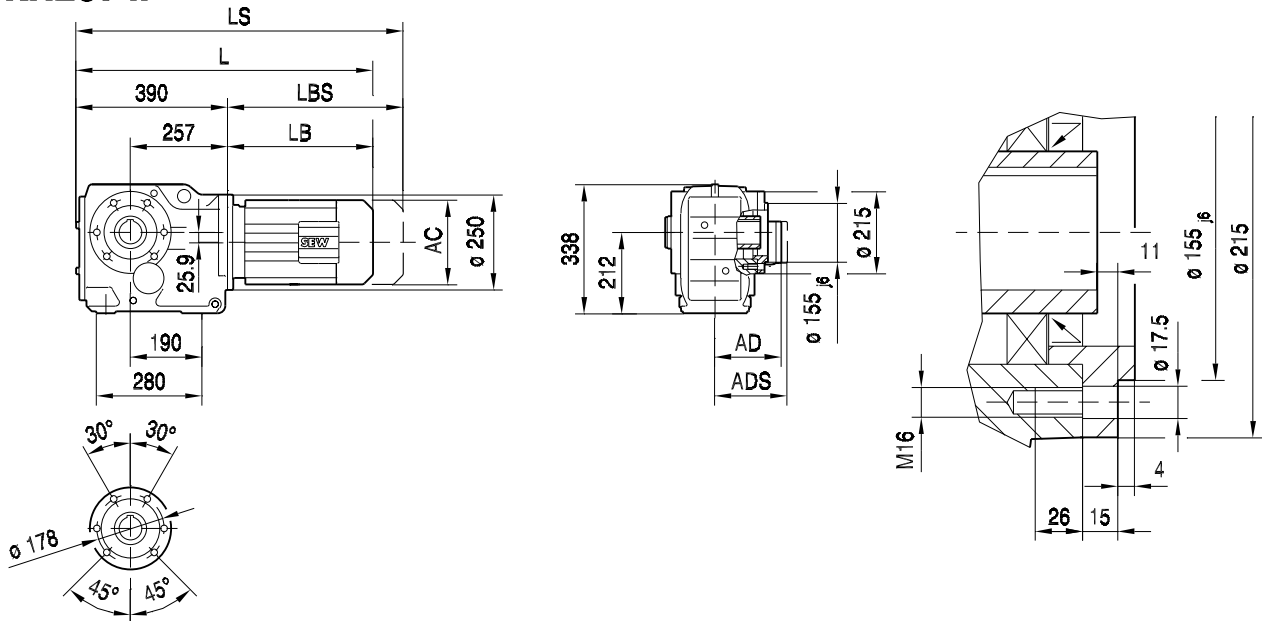


(→ 102)	DT80..	DT90..	DV100M	DV100L	DV112M	DV132S	DV132M	DV132ML	DV160M	DV160L	DV180..
AC	145	197	197	197	221	221	275	275	275	331	331
AD	122	154	166	166	179	179	230	230	230	258	258
ADS	127	161	166	166	182	182	230	230	230	258	258
L	628	647	697	727	730	775	797	857	857	904	976
LS	692	732	782	812	810	855	909	969	969	1060	1132
LB	238	257	307	337	340	385	407	467	467	514	586
LBS	302	342	392	422	420	465	519	579	579	670	742

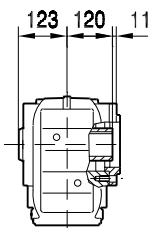


39 016 03 00

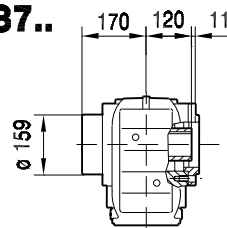
KAZ87 ..



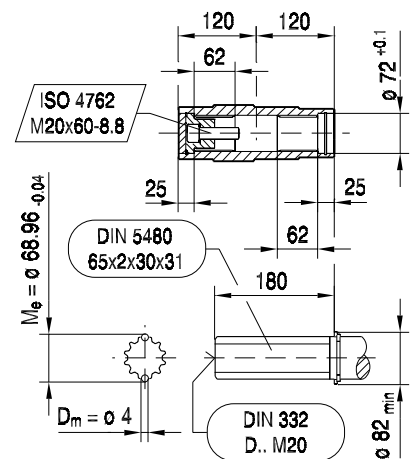
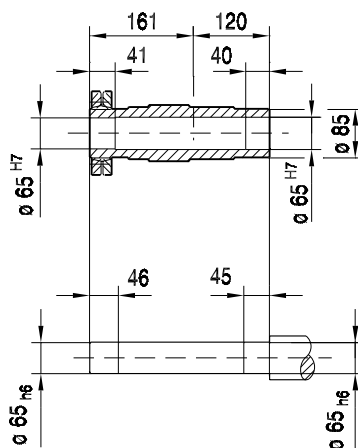
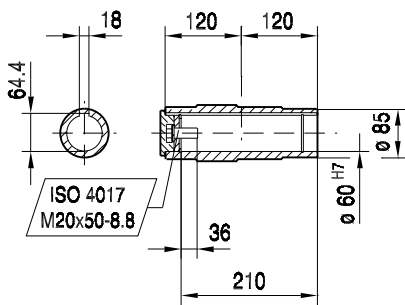
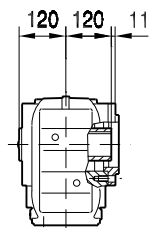
KAZ87..



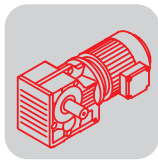
KHZ87..



KVZ87..

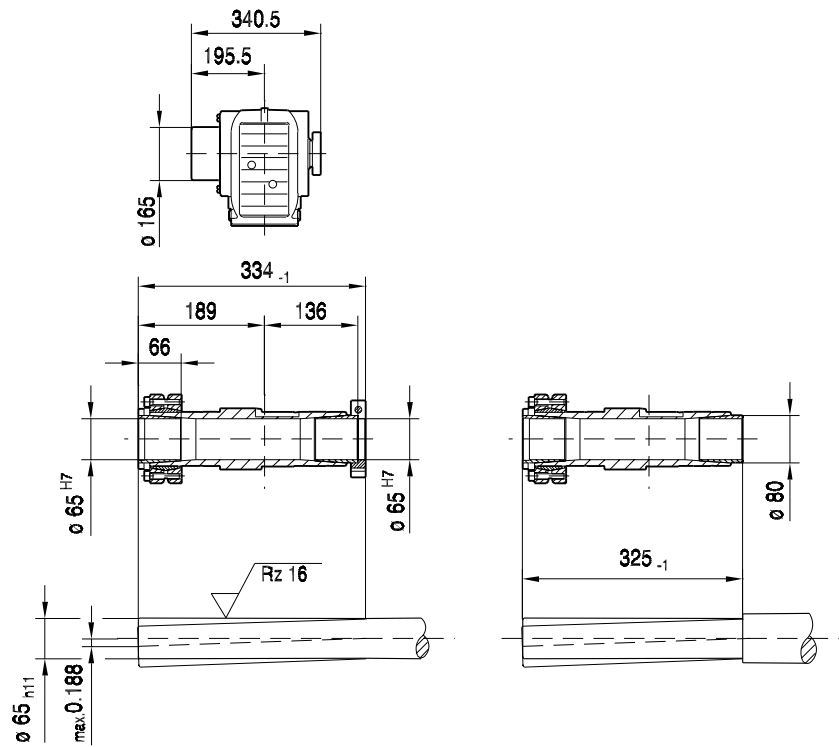
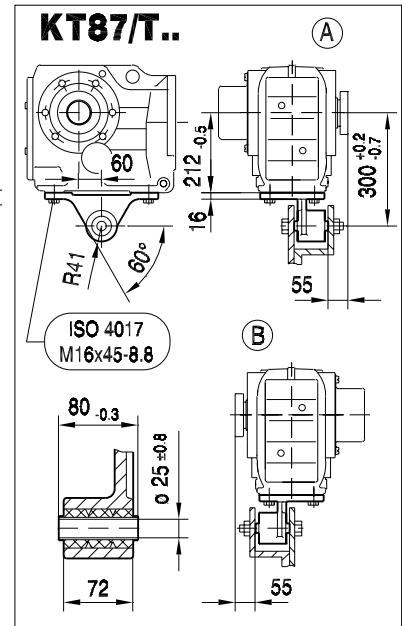
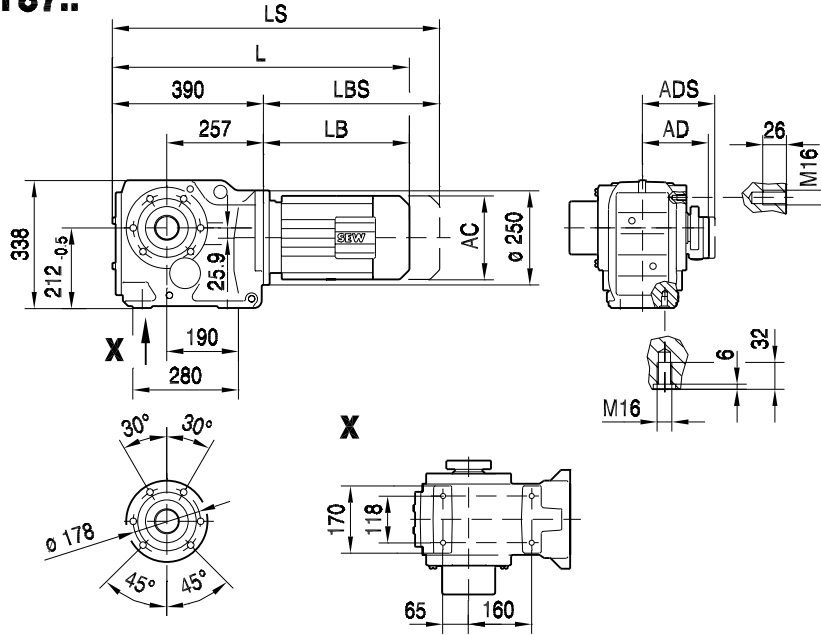


(→ 102)	DT80..	DT90..	DV100M	DV100L	DV112M	DV132S	DV132M	DV132ML	DV160M	DV160L	DV180..
AC	145	197	197	197	221	221	275	275	275	331	331
AD	122	154	166	166	179	179	230	230	230	258	258
ADS	127	161	166	166	182	182	230	230	230	258	258
L	628	647	697	727	730	775	797	857	857	904	976
LS	692	732	782	812	810	855	909	969	969	1060	1132
LB	238	257	307	337	340	385	407	467	467	514	586
LBS	302	342	392	422	420	465	519	579	579	670	742

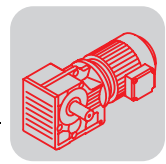


39 011 00 03

KT87..

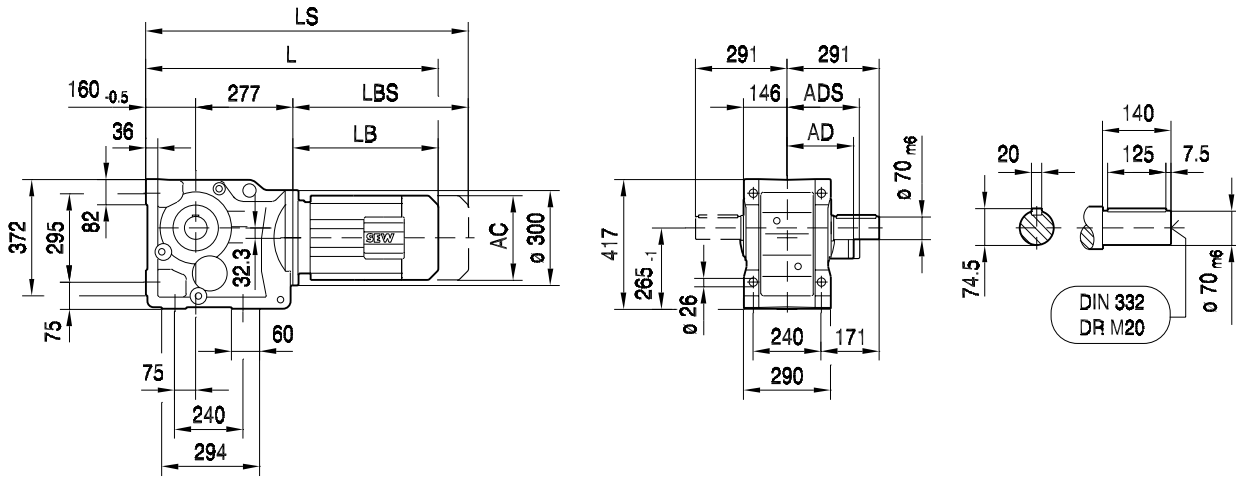


(→ 102)	DT80..	DT90..	DV100M	DV100L	DV112M	DV132S	DV132M	DV132ML	DV160M	DV160L	DV180..
AC	145	197	197	197	221	221	275	275	275	331	331
AD	122	154	166	166	179	179	230	230	230	258	258
ADS	127	161	166	166	182	182	230	230	230	258	258
L	628	647	697	727	730	775	797	857	857	904	976
LS	692	732	782	812	810	855	909	969	969	1060	1132
LB	238	257	307	337	340	385	407	467	467	514	586
LBS	302	342	392	422	420	465	519	579	579	670	742

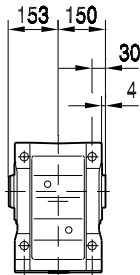


34 007 03 00

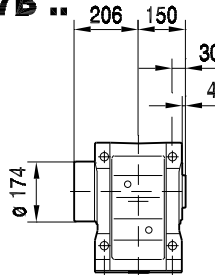
K97 ..



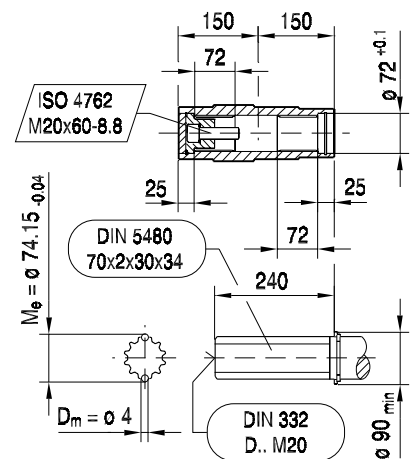
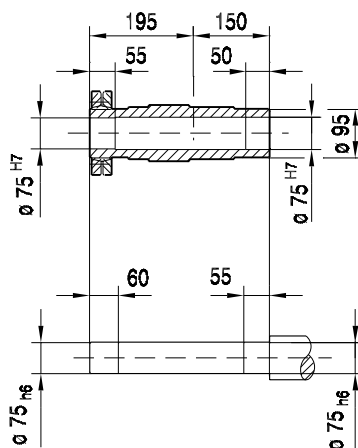
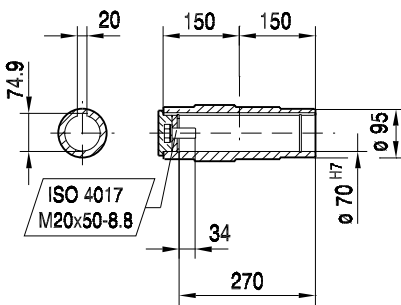
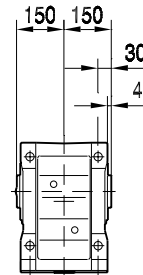
KA97B ..



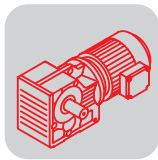
KH97B ..



KV97B ..

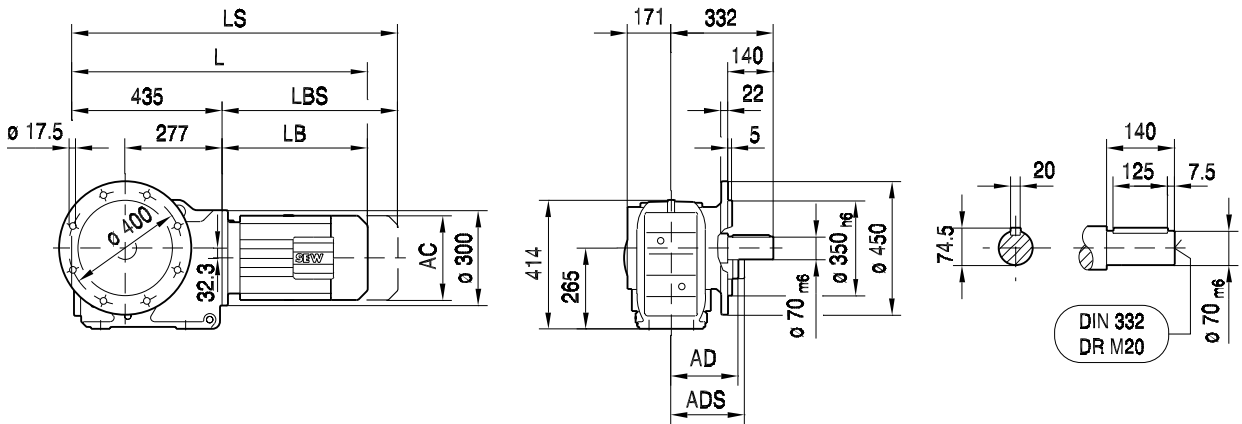


(→ 102)	DT90..	DV100M	DV100L	DV112M	DV132S	DV132M	DV132ML	DV160M	DV160L	DV180..	DV200..
AC	197	197	197	221	221	275	275	275	331	331	394
AD	154	166	166	179	179	230	230	230	258	258	285
ADS	161	166	166	182	182	230	230	230	258	258	285
L	688	738	768	772	817	839	899	899	946	1018	1066
LS	773	823	853	852	897	951	1011	1011	1102	1174	1222
LB	251	301	331	335	380	402	462	462	509	581	629
LBS	336	386	416	415	460	514	574	574	665	737	785

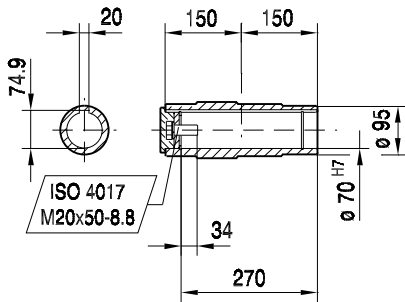
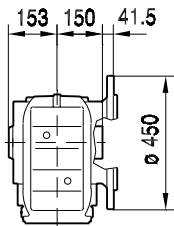


34 019 03 00

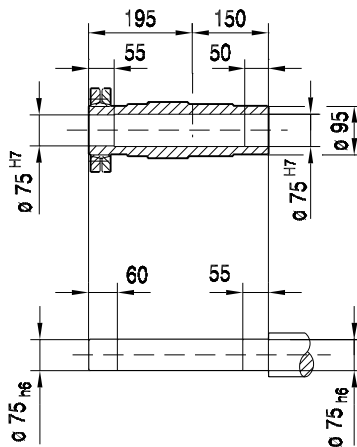
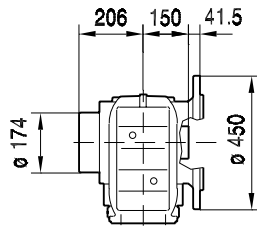
KF97..



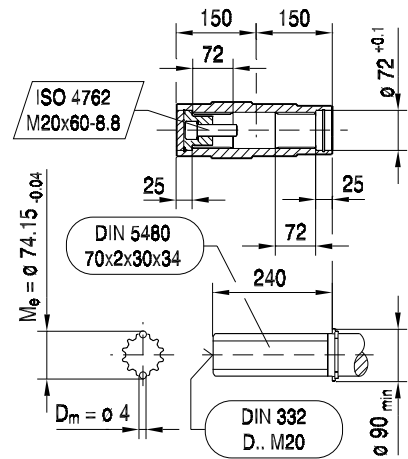
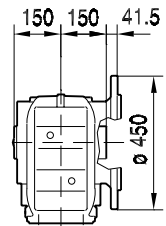
KAF97..



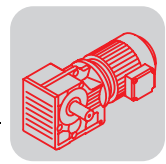
KHF97..



KVF97..

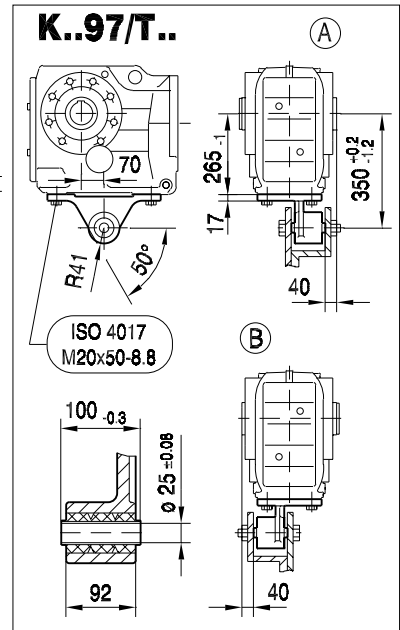
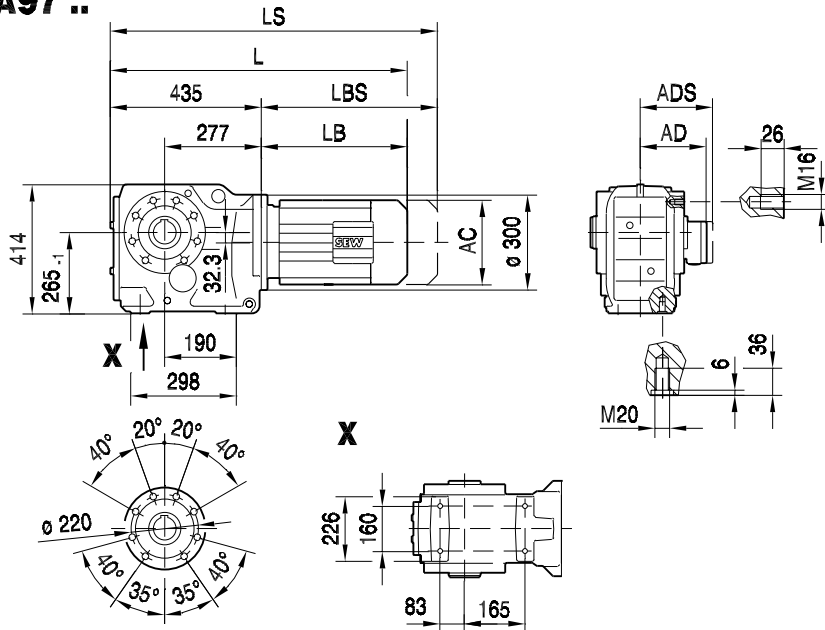


(→ 102)	DT90..	DV100M	DV100L	DV112M	DV132S	DV132M	DV132ML	DV160M	DV160L	DV180..	DV200..
AC	197	197	197	221	221	275	275	275	331	331	394
AD	154	166	166	179	179	230	230	230	258	258	285
ADS	161	166	166	182	182	230	230	230	258	258	285
L	686	736	766	770	815	837	897	897	944	1016	1064
LS	771	821	851	850	895	949	1009	1009	1100	1172	1220
LB	251	301	331	335	380	402	462	462	509	581	629
LBS	336	386	416	415	460	514	574	574	665	737	785

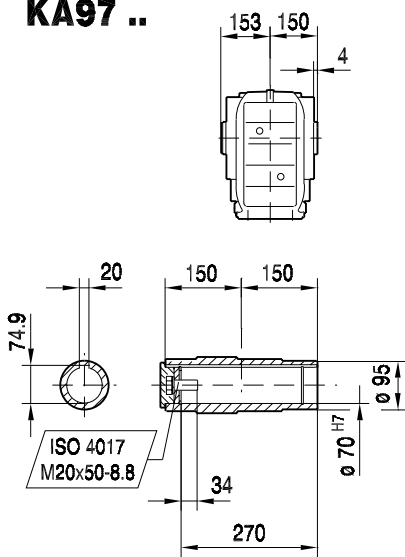


39 007 03 00

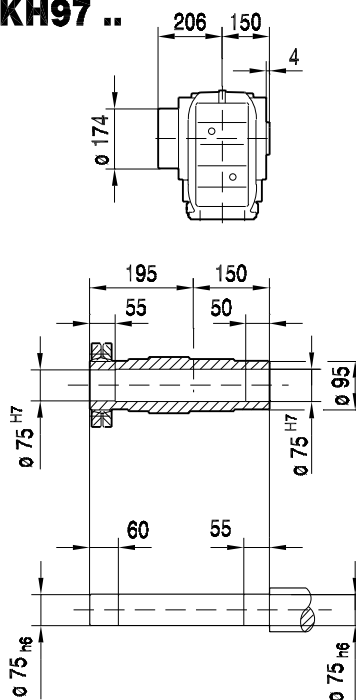
KA97 ..



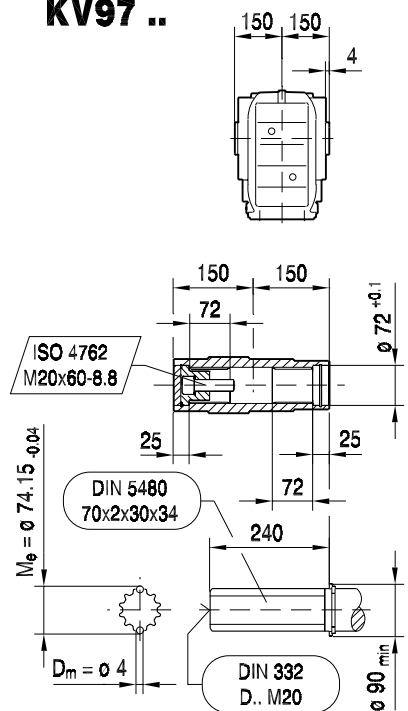
KA97 ..



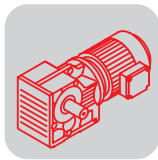
KH97 ..



KV97 ..

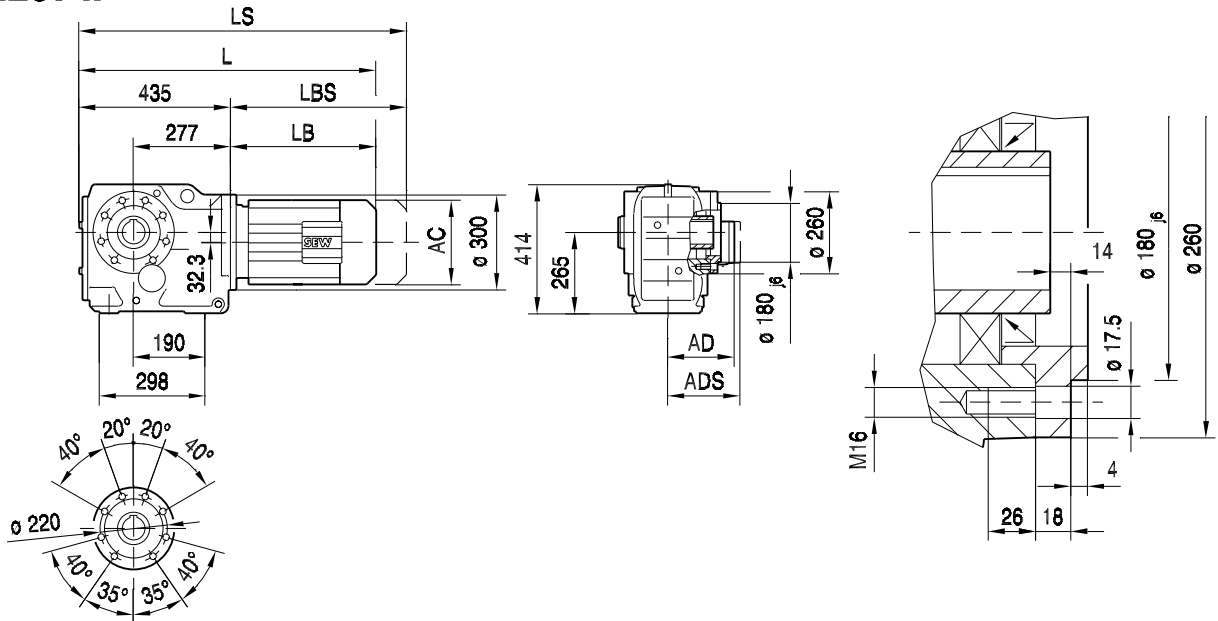


(→ 102)	DT90..	DV100M	DV100L	DV112M	DV132S	DV132M	DV132ML	DV160M	DV160L	DV180..	DV200..
AC	197	197	197	221	221	275	275	275	331	331	394
AD	154	166	166	179	179	230	230	230	258	258	285
ADS	161	166	166	182	182	230	230	230	258	258	285
L	686	736	766	770	815	837	897	897	944	1016	1064
LS	771	821	851	850	895	949	1009	1009	1100	1172	1220
LB	251	301	331	335	380	402	462	462	509	581	629
LBS	336	386	416	415	460	514	574	574	665	737	785

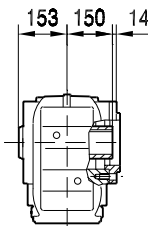


39 017 03 00

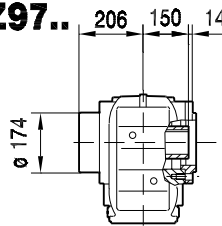
KAZ97 ..



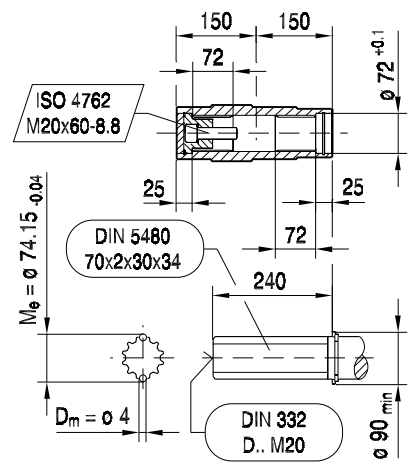
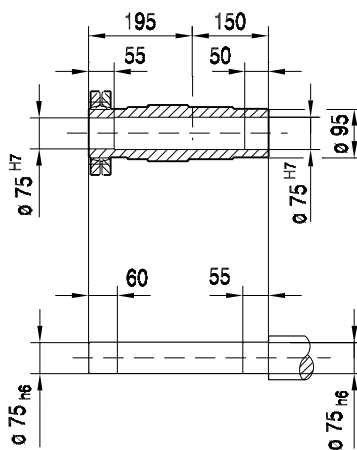
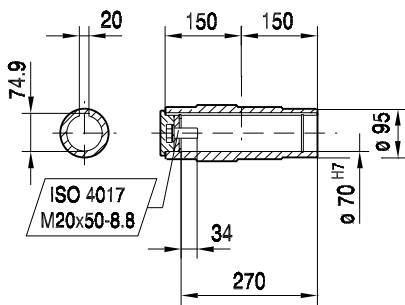
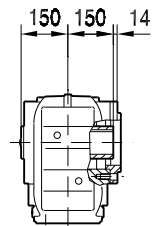
KAZ97..



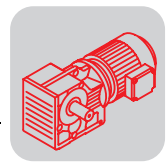
KHZ97..



KVZ97..

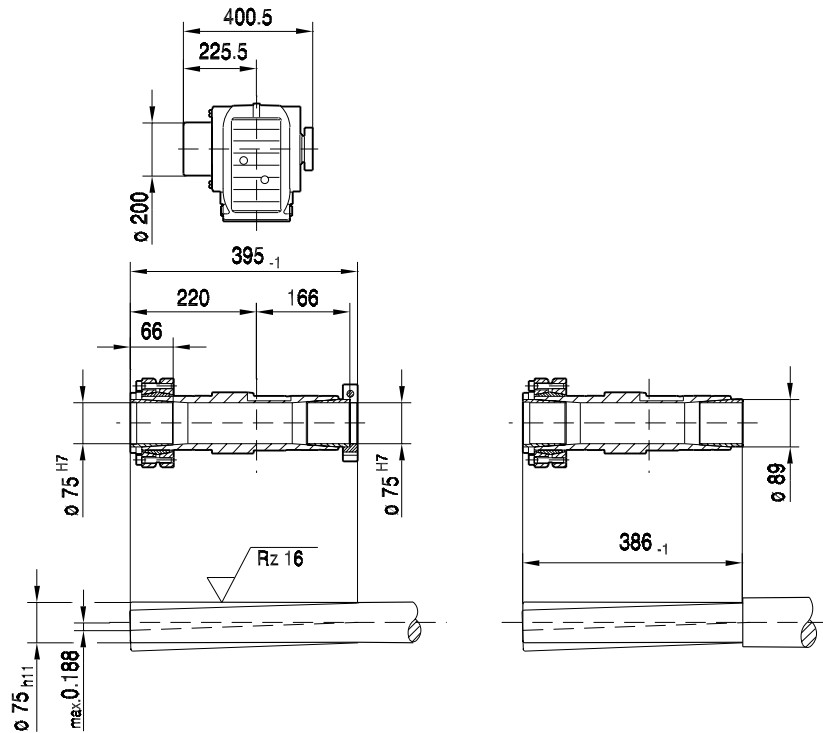
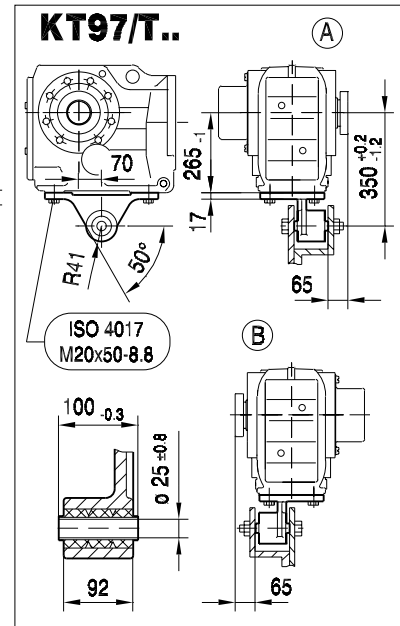
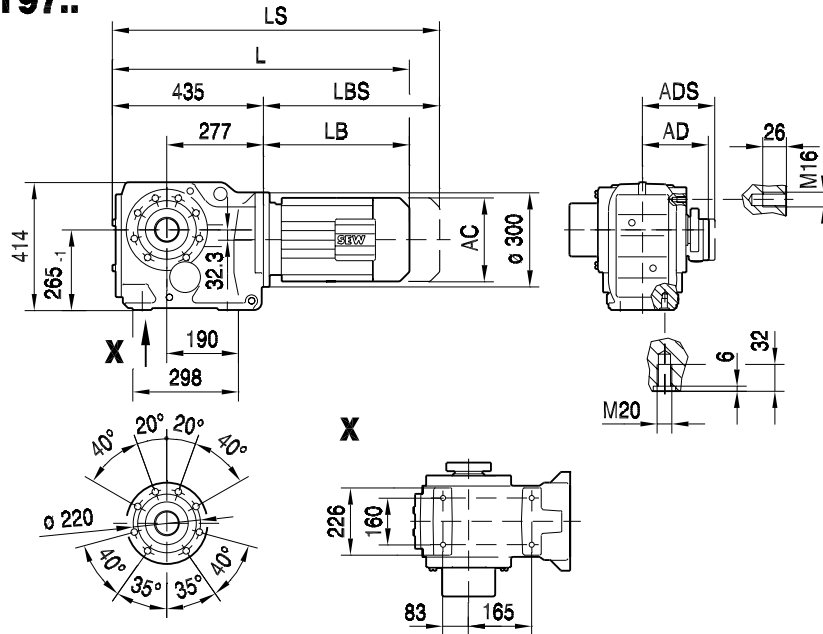


(→ 102)	DT90..	DV100M	DV100L	DV112M	DV132S	DV132M	DV132ML	DV160M	DV160L	DV180..	DV200..
AC	197	197	197	221	221	275	275	275	331	331	394
AD	154	166	166	179	179	230	230	230	258	258	285
ADS	161	166	166	182	182	230	230	230	258	258	285
L	686	736	766	770	815	837	897	897	944	1016	1064
LS	771	821	851	850	895	949	1009	1009	1100	1172	1220
LB	251	301	331	335	380	402	462	462	509	581	629
LBS	336	386	416	415	460	514	574	574	665	737	785

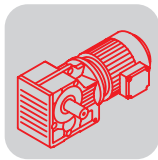


39 012 00 03

KT97..

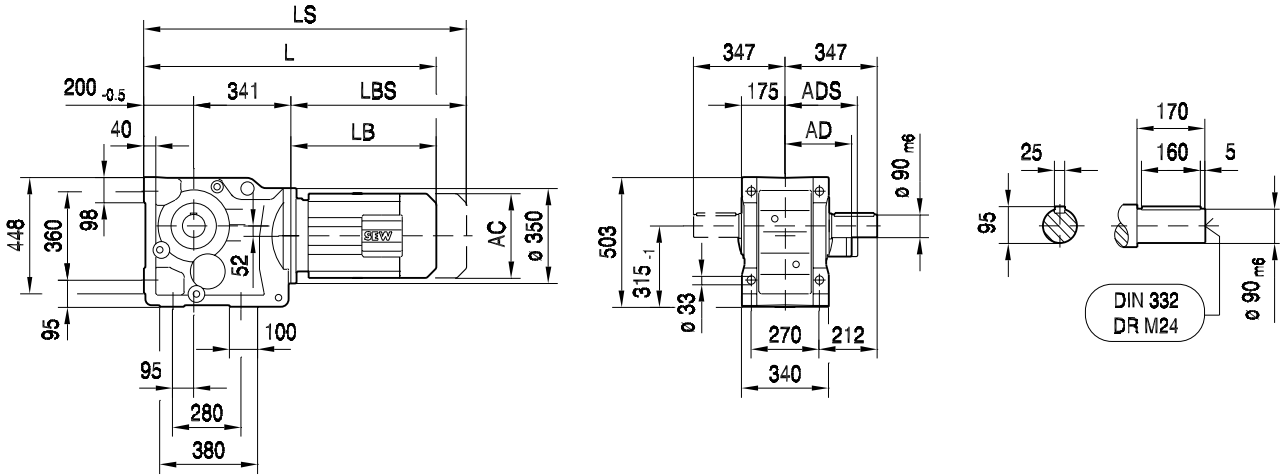


(→ 102)	DT90..	DV100M	DV100L	DV112M	DV132S	DV132M	DV132ML	DV160M	DV160L	DV180..	DV200..
AC	197	197	197	221	221	275	275	275	331	331	394
AD	154	166	166	179	179	230	230	230	258	258	285
ADS	161	166	166	182	182	230	230	230	258	258	285
L	686	736	766	770	815	837	897	897	944	1016	1064
LS	771	821	851	850	895	949	1009	1009	1100	1172	1220
LB	251	301	331	335	380	402	462	462	509	581	629
LBS	336	386	416	415	460	514	574	574	665	737	785

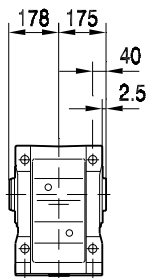


34 008 03 00

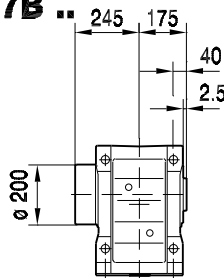
K107 ..



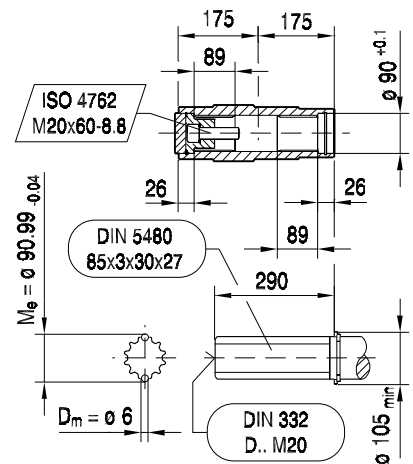
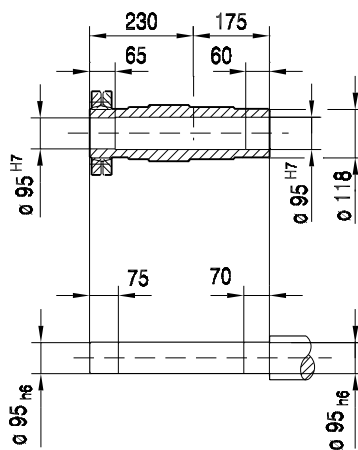
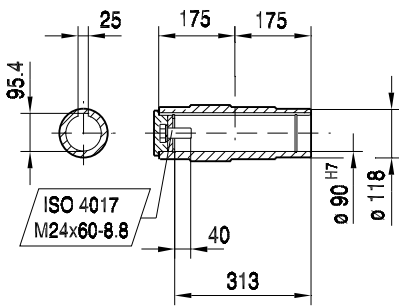
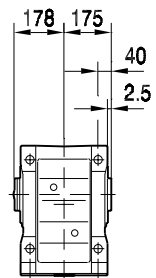
KA107B ..



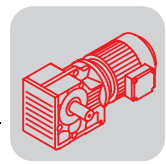
KH107B ..



KV107B ..

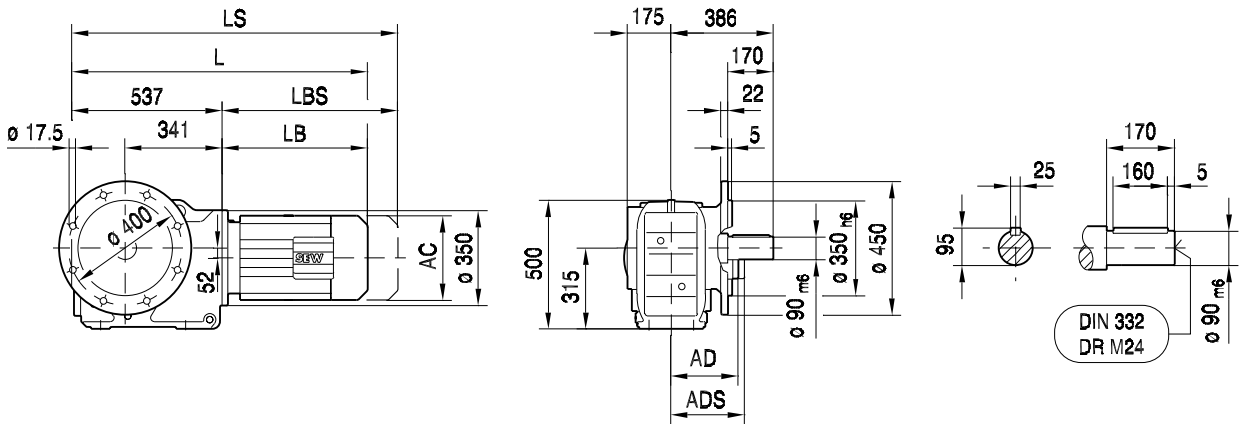


(→ 102)	DV100L	DV112M	DV132S	DV132M	DV132ML	DV160M	DV160L	DV180..	DV200..	DV225..
AC	197	221	221	275	275	275	331	331	394	394
AD	166	179	179	230	230	230	258	258	285	289
ADS	166	182	182	230	230	230	258	258	285	289
L	866	870	915	937	997	997	1044	1116	1164	1246
LS	951	950	995	1049	1109	1109	1200	1272	1320	1402
LB	325	329	374	396	456	456	503	575	623	705
LBS	410	409	454	508	568	568	659	731	779	861

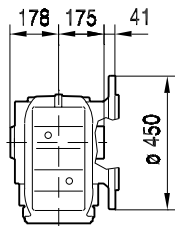


34 020 03 00

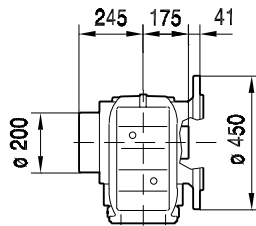
KF107..



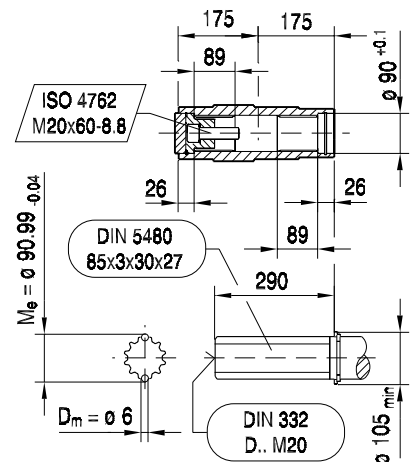
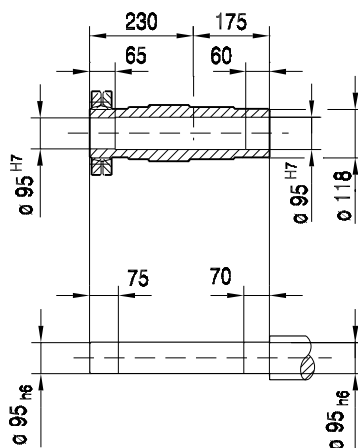
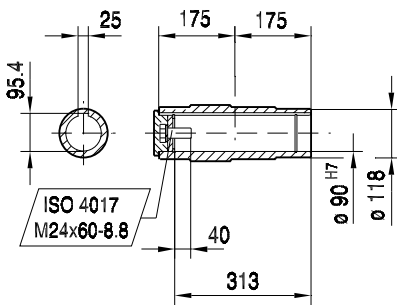
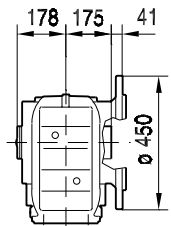
KAF107..



KHF107..

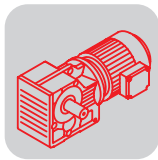


KVF107..



10

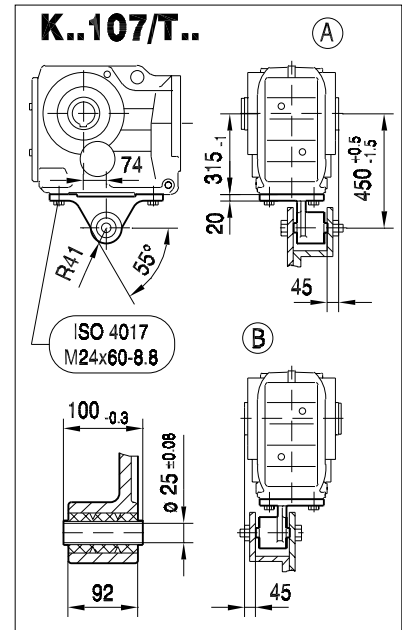
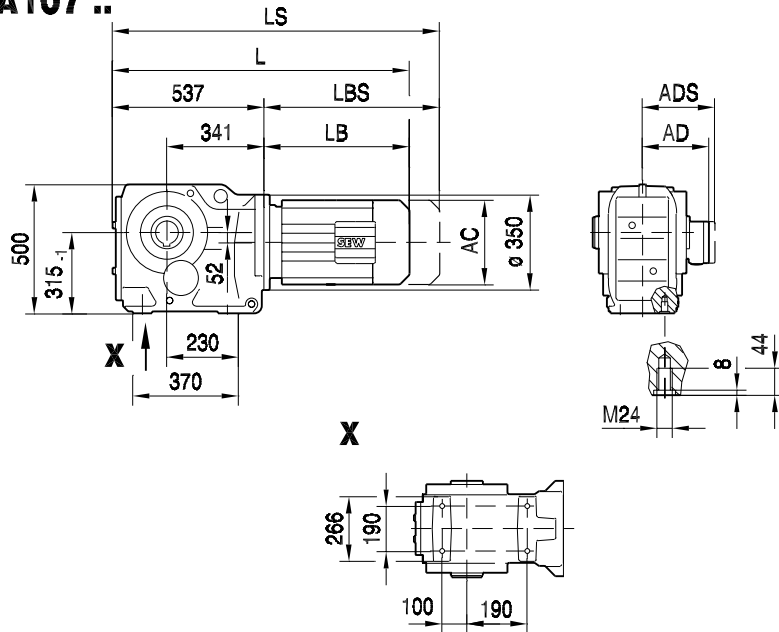
(→ 102)	DV100L	DV112M	DV132S	DV132M	DV132ML	DV160M	DV160L	DV180..	DV200..	DV225..
AC	197	221	221	275	275	275	331	331	394	394
AD	166	179	179	230	230	230	258	258	285	289
ADS	166	182	182	230	230	230	258	258	285	289
L	862	866	911	933	993	993	1040	1112	1160	1242
LS	947	946	991	1045	1105	1105	1196	1268	1316	1398
LB	325	329	374	396	456	456	503	575	623	705
LBS	410	409	454	508	568	568	659	731	779	861



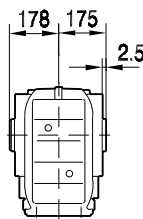
K..DR/DT/DV
K ..[mm]

39 008 03 00

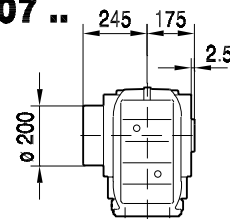
KA107 ..



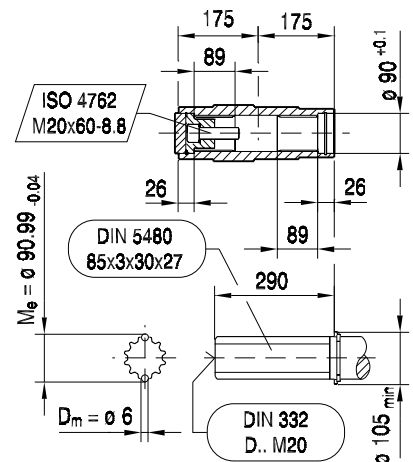
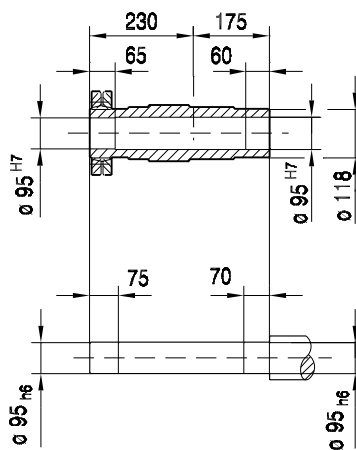
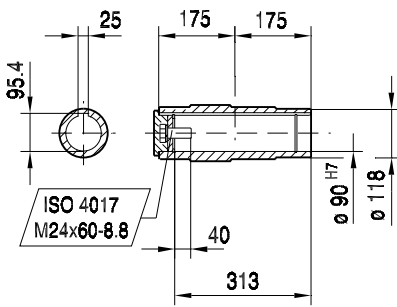
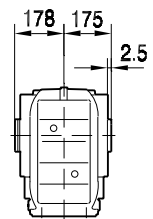
KA107 ..



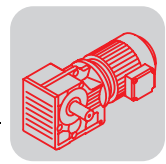
KH107 ..



KV107 ..

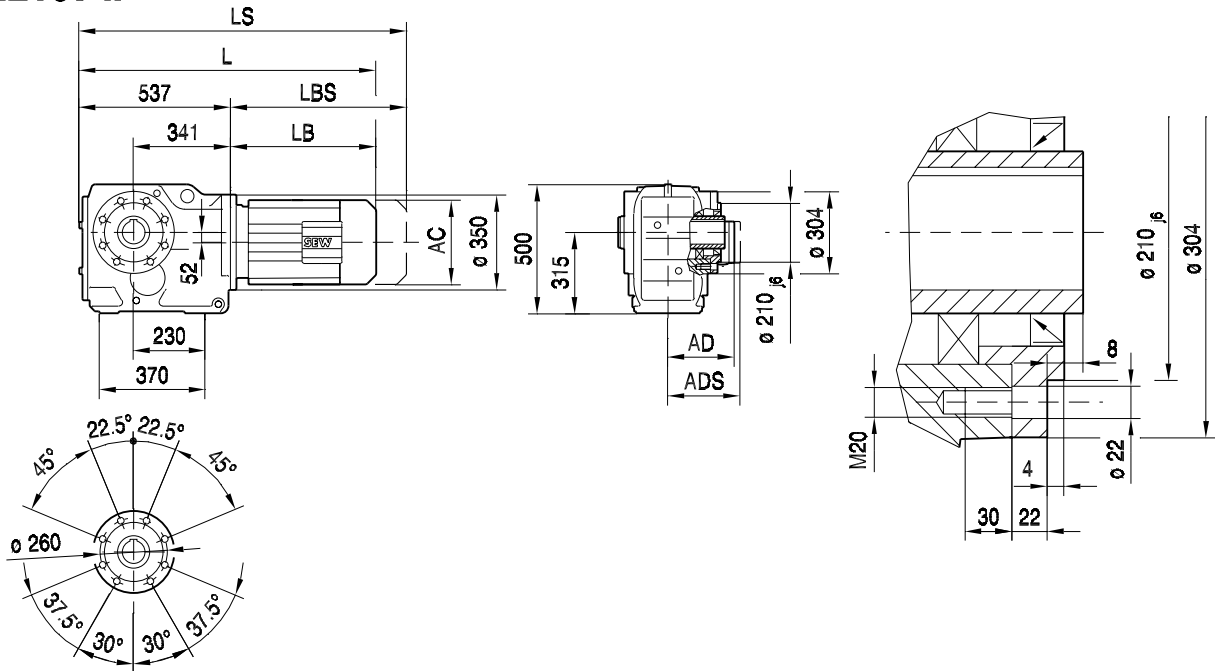


(→ 102)	DV100L	DV112M	DV132S	DV132M	DV132ML	DV160M	DV160L	DV180..	DV200..	DV225..
AC	197	221	221	275	275	275	331	331	394	394
AD	166	179	179	230	230	230	258	258	285	289
ADS	166	182	182	230	230	230	258	258	285	289
L	862	866	911	933	993	993	1040	1112	1160	1242
LS	947	946	991	1045	1105	1105	1196	1268	1316	1398
LB	325	329	374	396	456	456	503	575	623	705
LBS	410	409	454	508	568	568	659	731	779	861

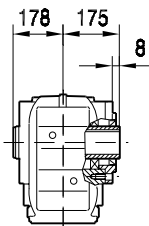


39 018 03 00

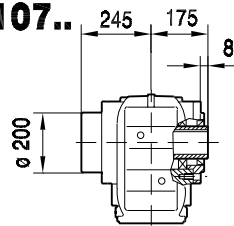
KAZ107 ..



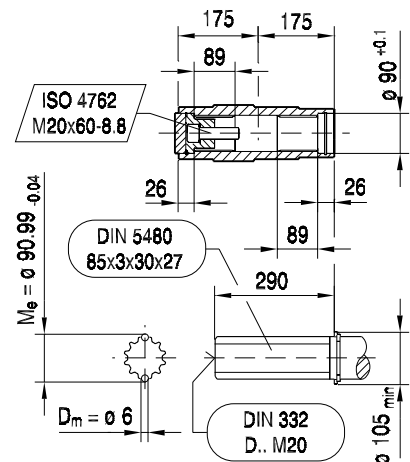
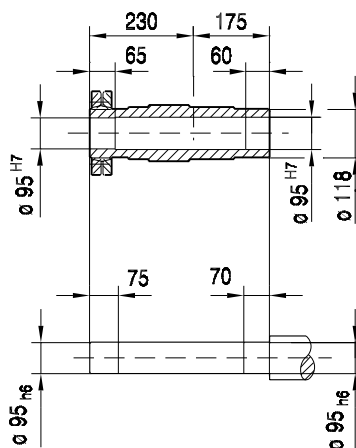
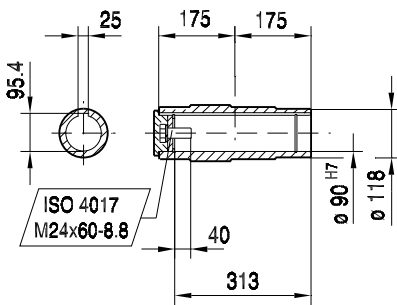
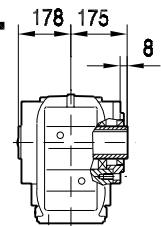
KAZ107..



KHZ107..

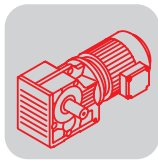


KVZ107..



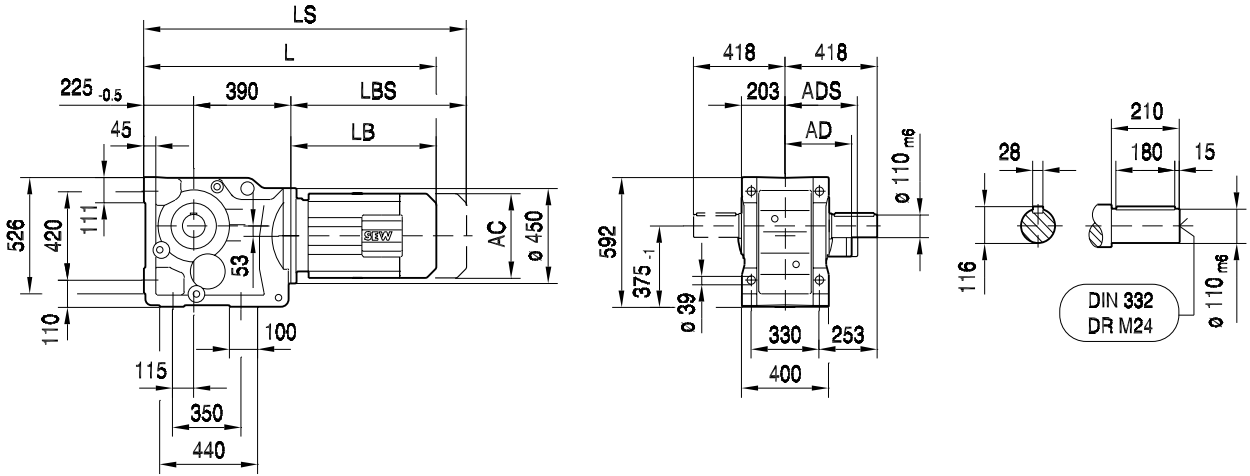
10

(→ 102)	DV100L	DV112M	DV132S	DV132M	DV132ML	DV160M	DV160L	DV180..	DV200..	DV225..	
AC	197	221	221	275	275	275	331	331	394	394	
AD	166	179	179	230	230	230	258	258	285	289	
ADS	166	182	182	230	230	230	258	258	285	289	
L	862	866	911	933	993	993	1040	1112	1160	1242	
LS	947	946	991	1045	1105	1105	1196	1268	1316	1398	
LB	325	329	374	396	456	456	503	575	623	705	
LBS	410	409	454	508	568	568	659	731	779	861	

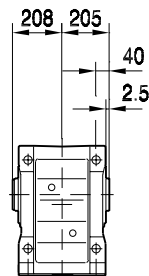


34 009 03 00

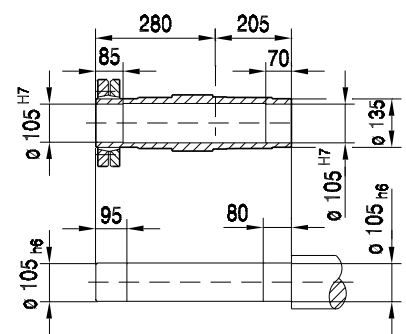
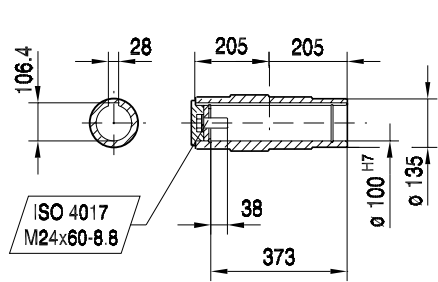
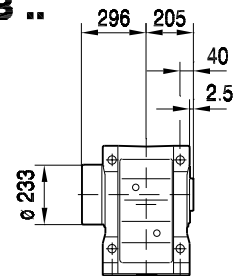
K127 ..



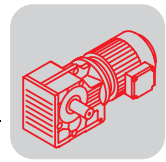
KA127B ..



KH127B ..

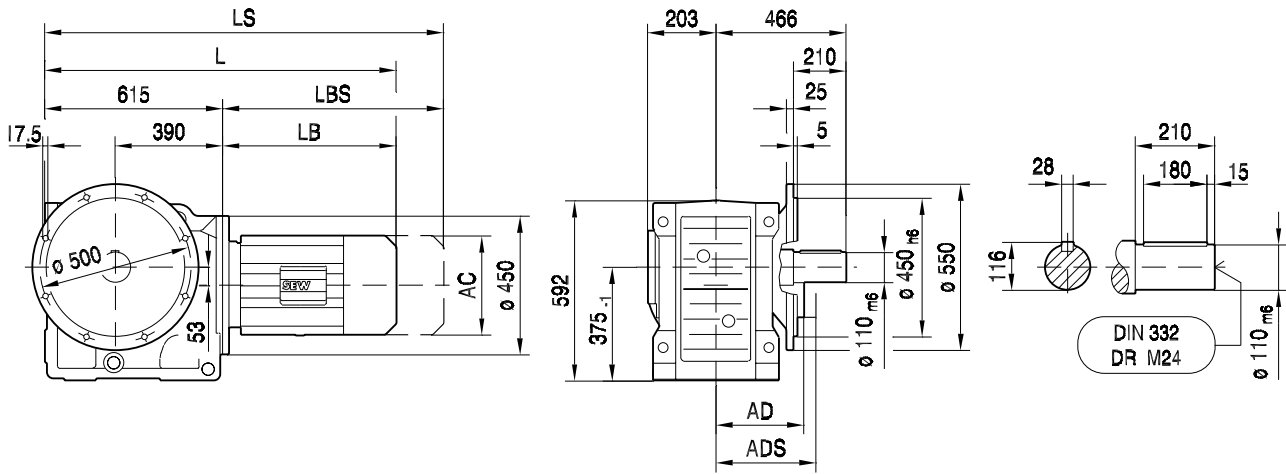


(→ 102)	DV132M	DV132ML	DV160M	DV160L	DV180..	DV200..	DV225..	DV250M	DV280S	D280M
AC	275	275	275	331	331	394	394	510	510	537
AD	230	230	230	258	258	285	289	397	397	382
ADS	230	230	230	258	258	285	289	397	397	382
L	996	1056	1056	1103	1175	1223	1305	1395	1395	1521
LS	1108	1168	1168	1259	1331	1379	1461	1580	1580	1732
LB	381	441	441	488	560	608	690	780	780	906
LBS	493	553	553	644	716	764	846	965	965	1117

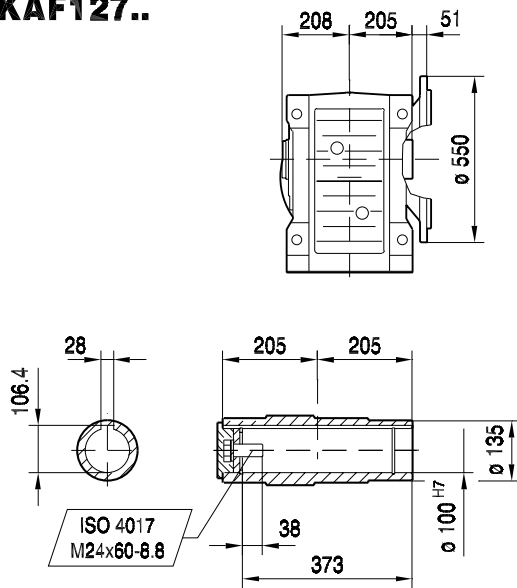


34 021 03 00

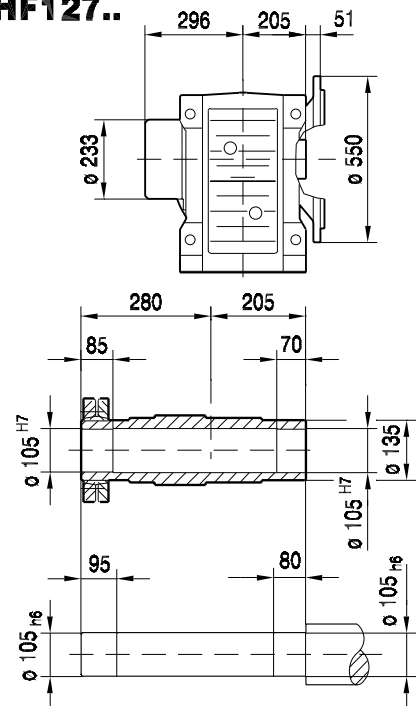
KF127..



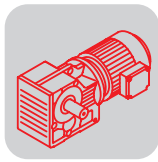
KAF127..



KHF127..



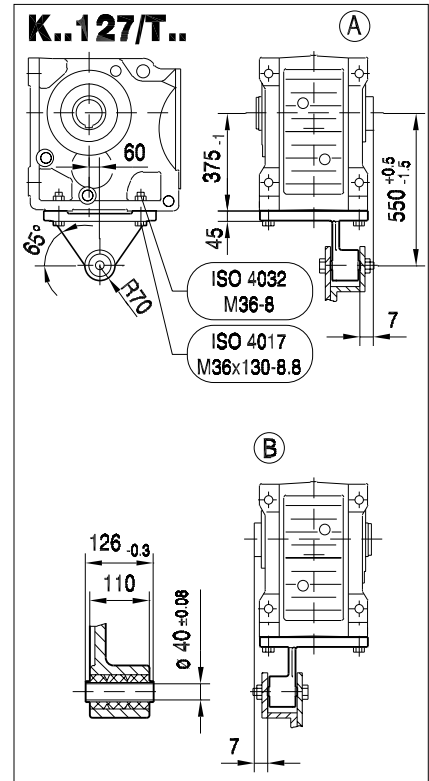
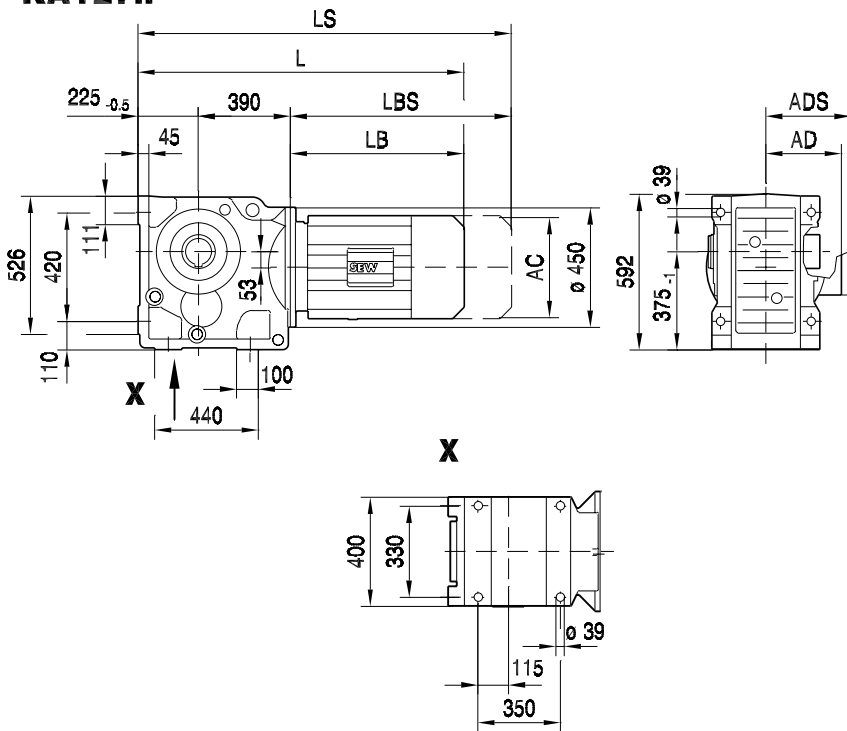
(→ 102)	DV132M	DV132ML	DV160M	DV160L	DV180..	DV200..	DV225..	DV250M	DV280S	D280M	
AC	275	275	275	331	331	394	394	510	510	537	
AD	230	230	230	258	258	285	289	397	397	382	
ADS	230	230	230	258	258	285	289	397	397	382	
L	996	1056	1056	1103	1175	1223	1305	1395	1395	1521	
LS	1108	1168	1168	1259	1331	1379	1461	1580	1580	1732	
LB	381	441	441	488	560	608	690	780	780	906	
LBS	493	553	553	644	716	764	846	965	965	1117	



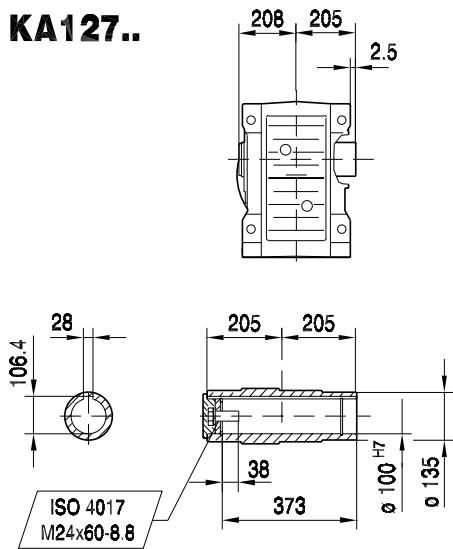
K..DR/DT/DV
K ..[mm]

39 009 03 00

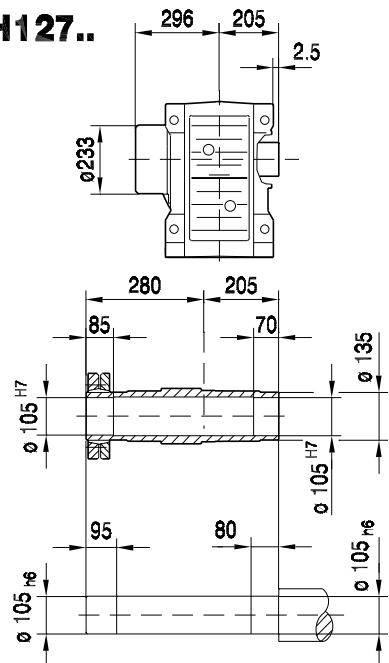
KA127..



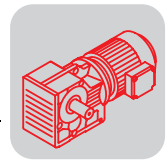
KA127..



KH127..

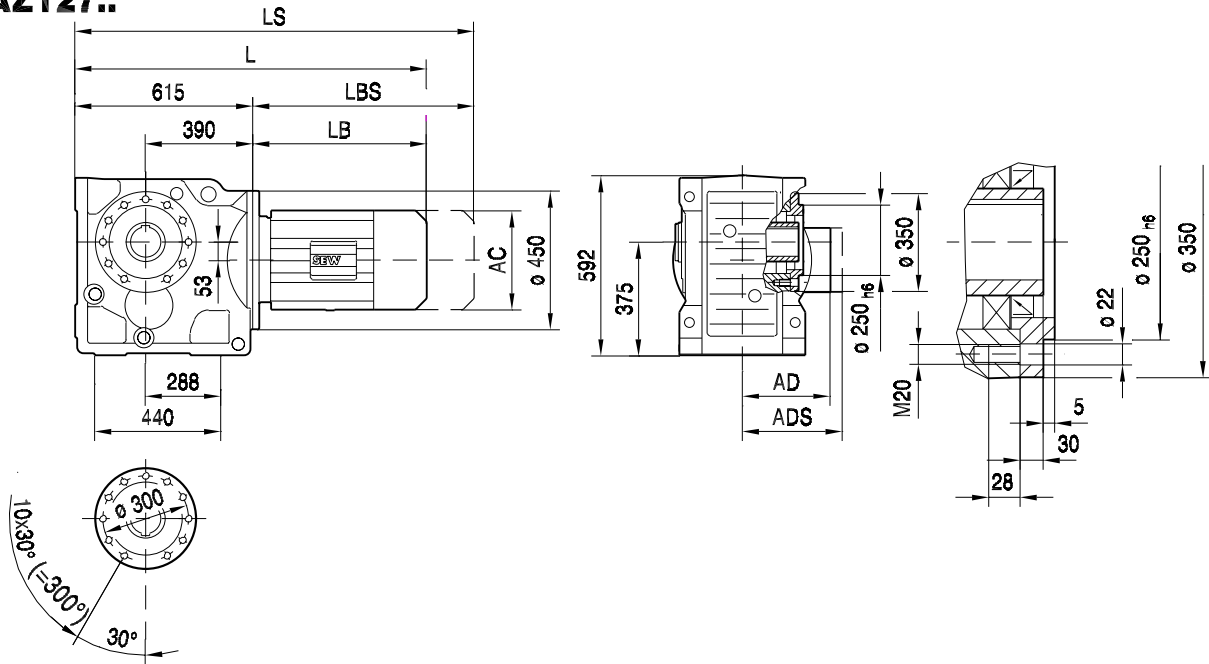


(→ 102)	DV132M	DV132ML	DV160M	DV160L	DV180..	DV200..	DV225..	DV250M	DV280S	D280M	
AC	275	275	275	331	331	394	394	510	510	537	
AD	230	230	230	258	258	285	289	397	397	382	
ADS	230	230	230	258	258	285	289	397	397	382	
L	996	1056	1056	1103	1175	1223	1305	1395	1395	1521	
LS	1108	1168	1168	1259	1331	1379	1461	1580	1580	1732	
LB	381	441	441	488	560	608	690	780	780	906	
LBS	493	553	553	644	716	764	846	965	965	1117	

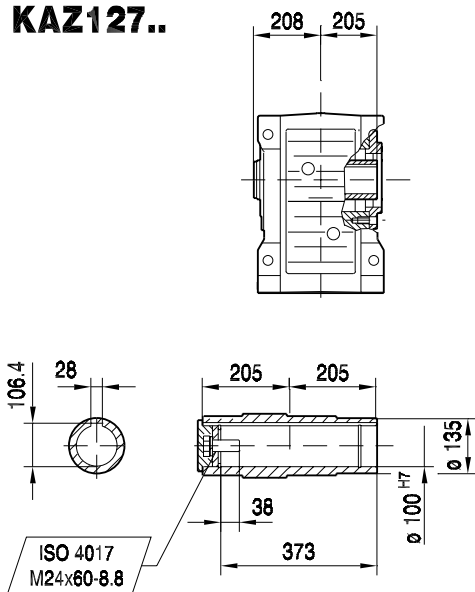


39 019 03 00

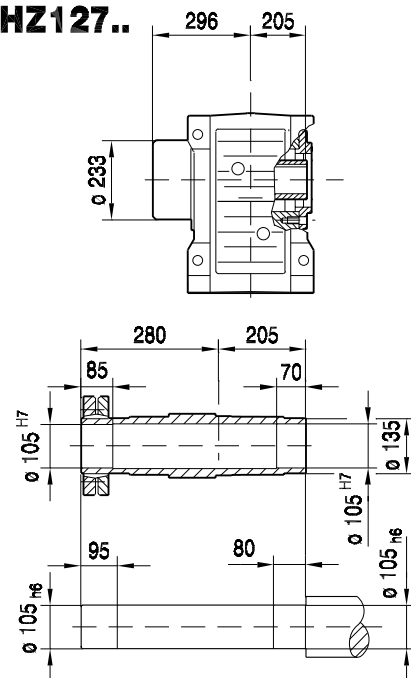
KAZ127..



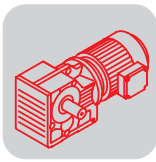
KAZ127..



KHZ127..

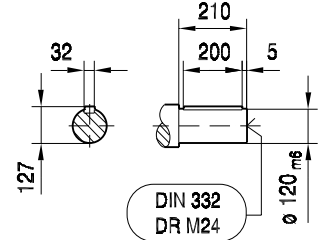
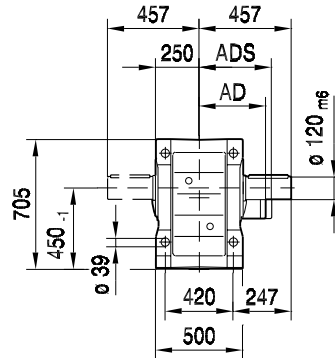
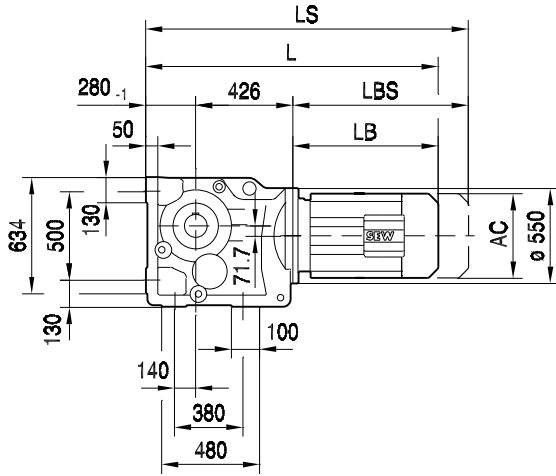


(→ 102)	DV132M	DV132ML	DV160M	DV160L	DV180..	DV200..	DV225..	DV250M	DV280S	D280M
AC	275	275	275	331	331	394	394	510	510	537
AD	230	230	230	258	258	285	289	397	397	382
ADS	230	230	230	258	258	285	289	397	397	382
L	996	1056	1056	1103	1175	1223	1305	1395	1395	1521
LS	1108	1168	1168	1259	1331	1379	1461	1580	1580	1732
LB	381	441	441	488	560	608	690	780	780	906
LBS	493	553	553	644	716	764	846	965	965	1117

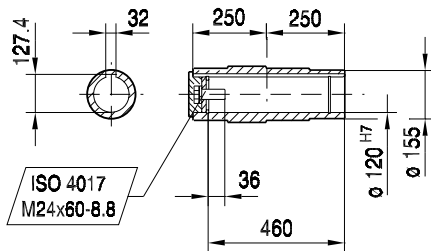
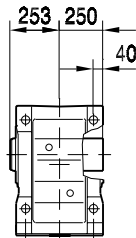


34 010 03 00

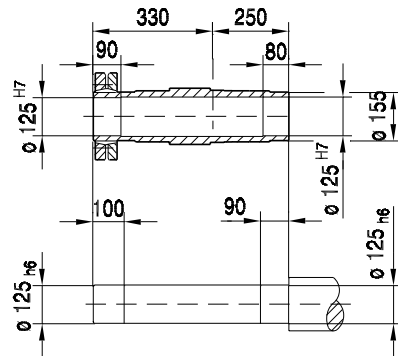
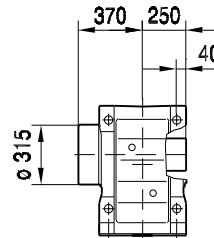
K157 ..



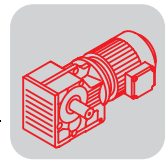
KA157B ..



KH157B ..

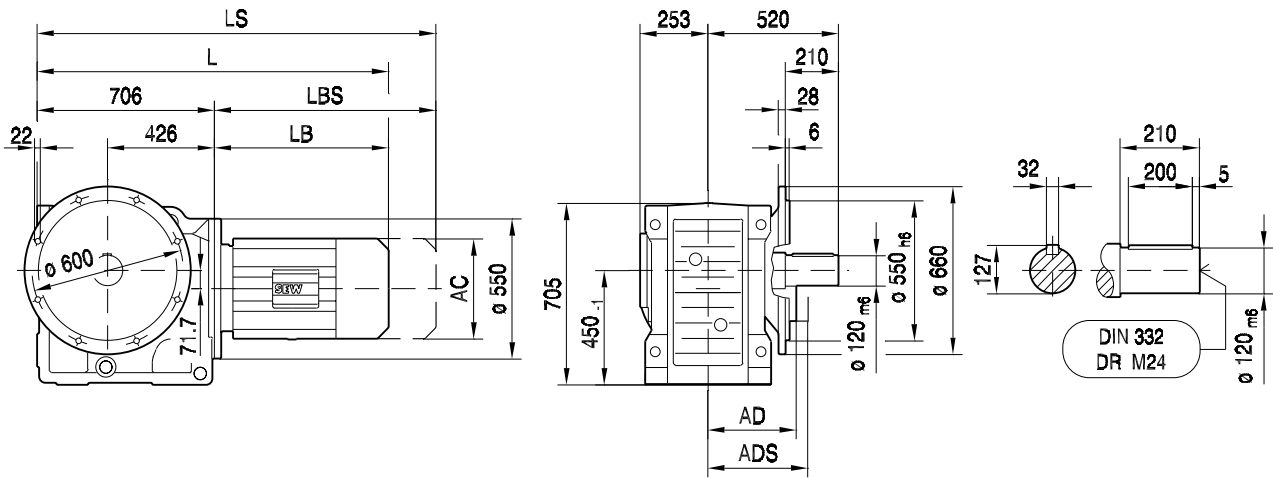


(→ 102)	DV160M	DV160L	DV180..	DV200..	DV225..	DV250M	DV280S	D280M	D315S	D315M
AC	275	331	331	394	394	510	510	537	612	612
AD	230	258	258	285	289	397	397	382	430	430
ADS	230	258	258	285	289	397	397	382	430	430
L	1139	1186	1258	1306	1388	1477	1477	1630	1681	1732
LS	1251	1342	1414	1462	1544	1662	1662	1841	1909	1960
LB	433	480	552	600	682	771	771	924	975	1026
LBS	545	636	708	756	838	956	956	1135	1203	1254

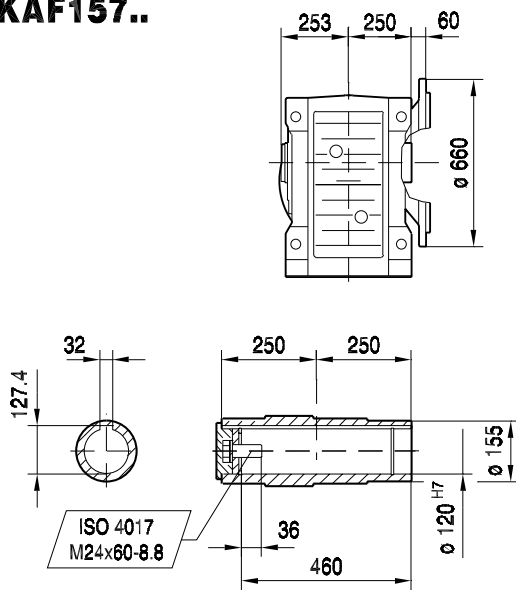


34 022 03 00

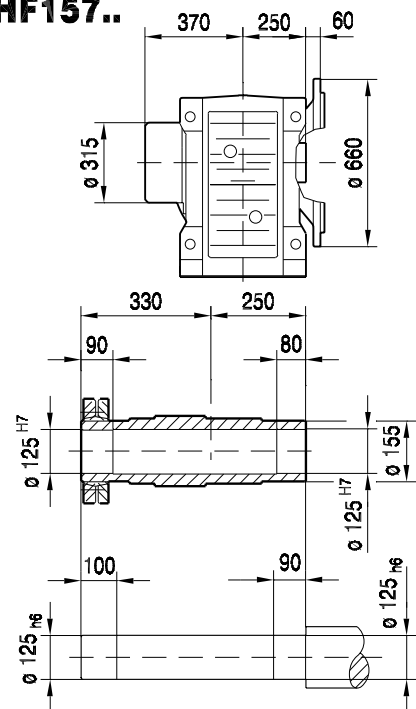
KF157..



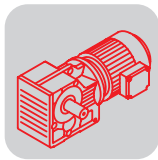
KAF157..



KHF157..

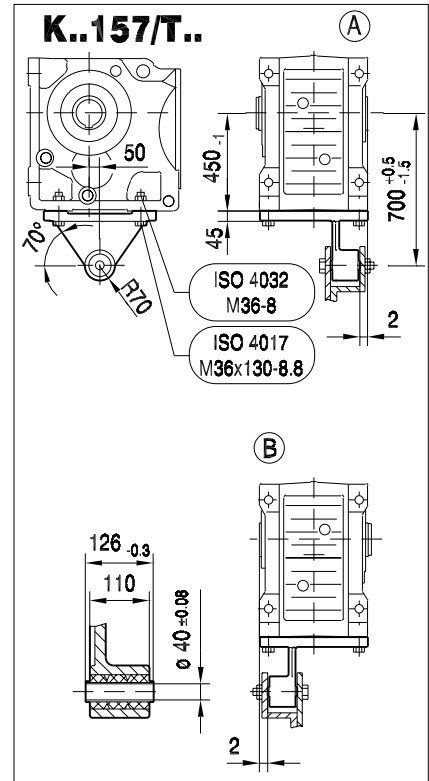
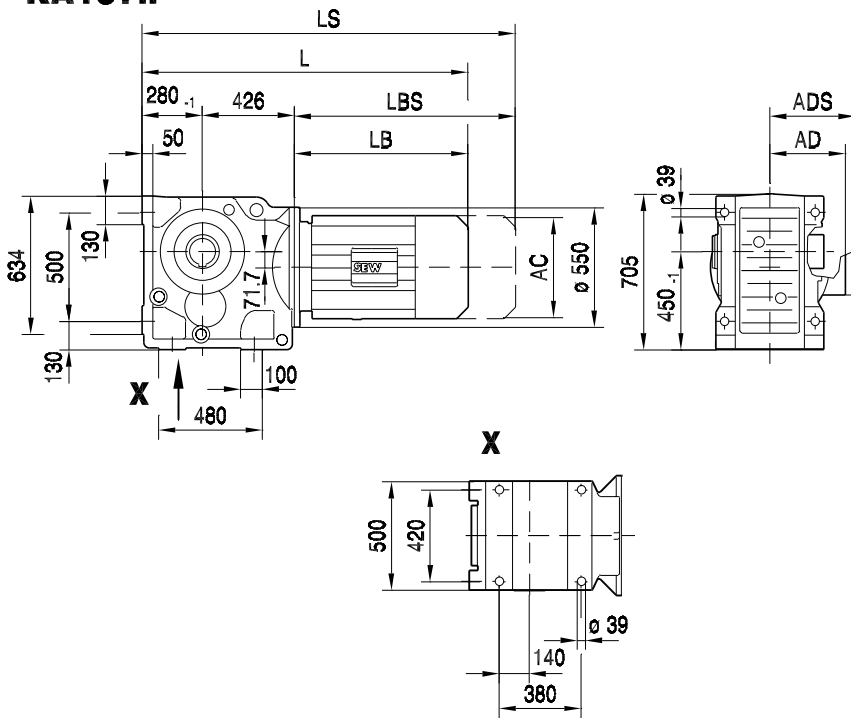


(→ 102)	DV160M	DV160L	DV180..	DV200..	DV225..	DV250M	DV280S	D280M	D315S	D315M	
AC	275	331	331	394	394	510	510	537	612	612	
AD	230	258	258	285	289	397	397	382	430	430	
ADS	230	258	258	285	289	397	397	382	430	430	
L	1139	1186	1258	1306	1388	1477	1477	1630	1681	1732	
LS	1251	1342	1414	1462	1544	1662	1662	1841	1909	1960	
LB	433	480	552	600	682	771	771	924	975	1026	
LBS	545	636	708	756	838	956	956	1135	1203	1254	

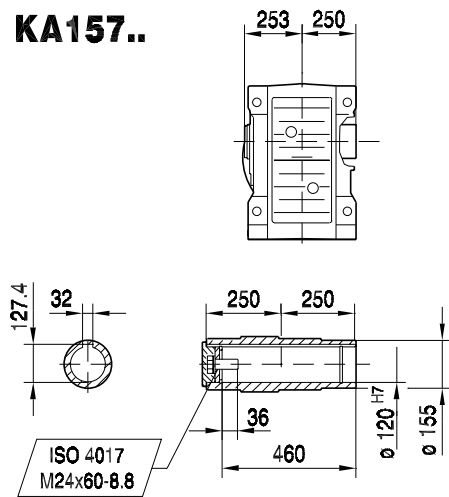


39 010 03 00

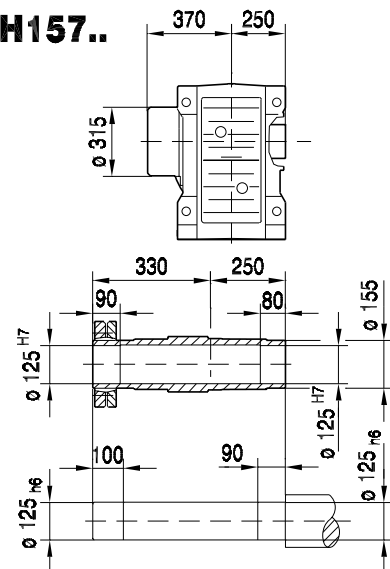
KA157..



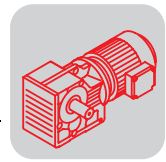
KA157..



KH157..

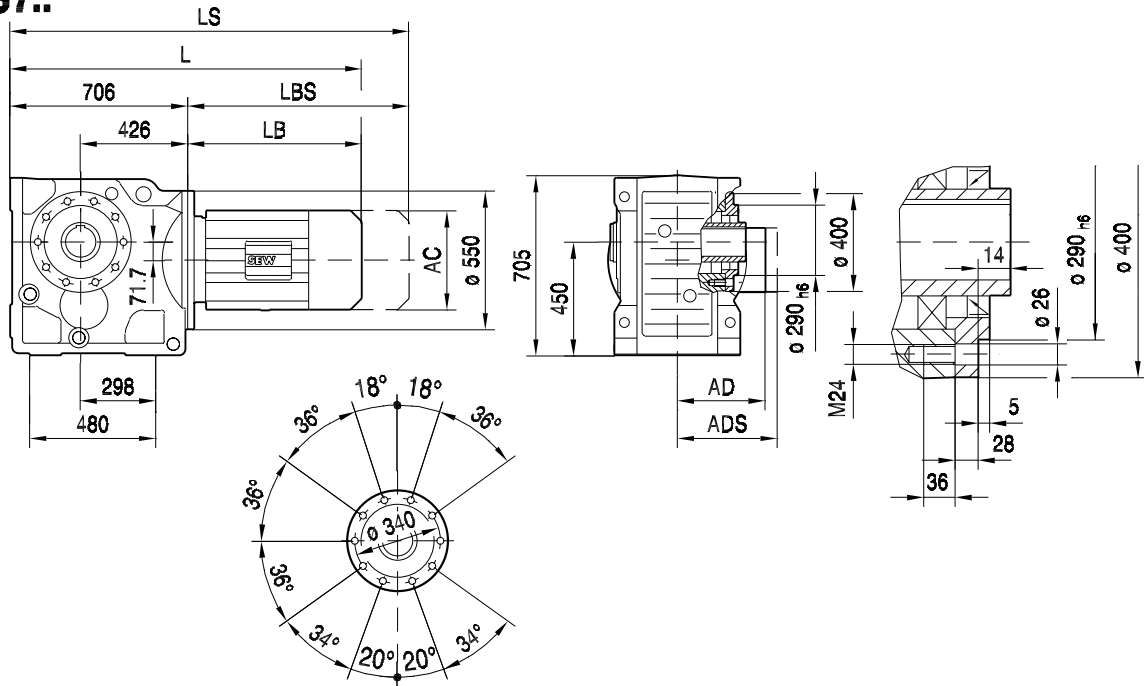


(→ 102)	DV160M	DV160L	DV180..	DV200..	DV225..	DV250M	DV280S	D280M	D315S	D315M
AC	275	331	331	394	394	510	510	537	612	612
AD	230	258	258	285	289	397	397	382	430	430
ADS	230	258	258	285	289	397	397	382	430	430
L	1139	1186	1258	1306	1388	1477	1477	1630	1681	1732
LS	1251	1342	1414	1462	1544	1662	1662	1841	1909	1960
LB	433	480	552	600	682	771	771	924	975	1026
LBS	545	636	708	756	838	956	956	1135	1203	1254

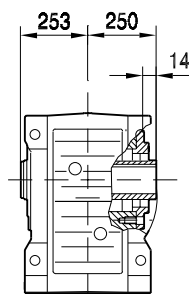


39 020 03 00

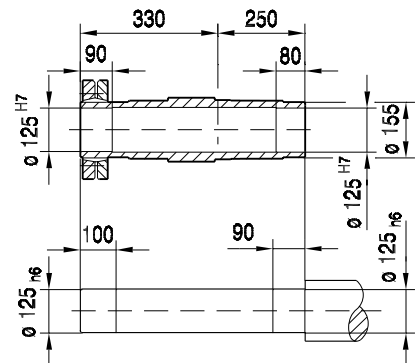
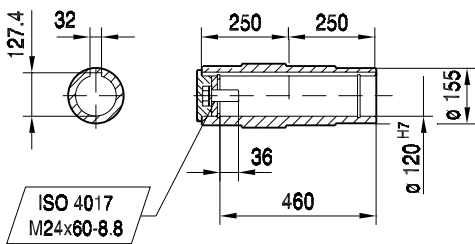
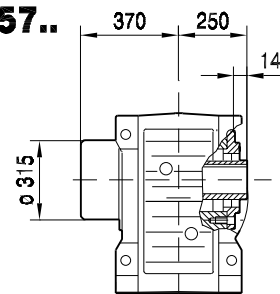
KAZ157..



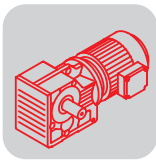
KAZ157..



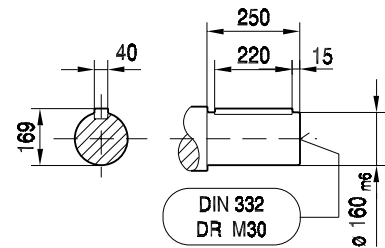
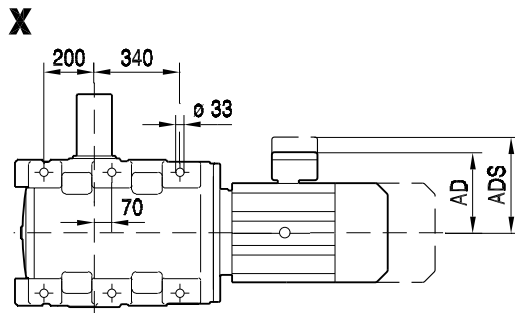
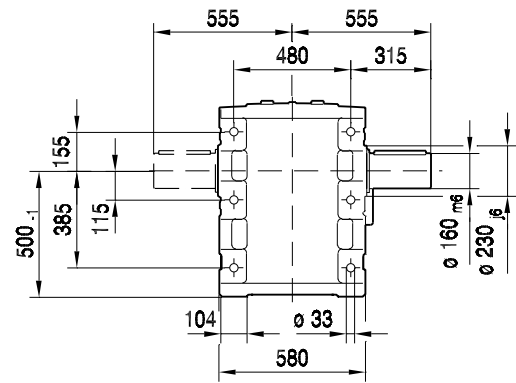
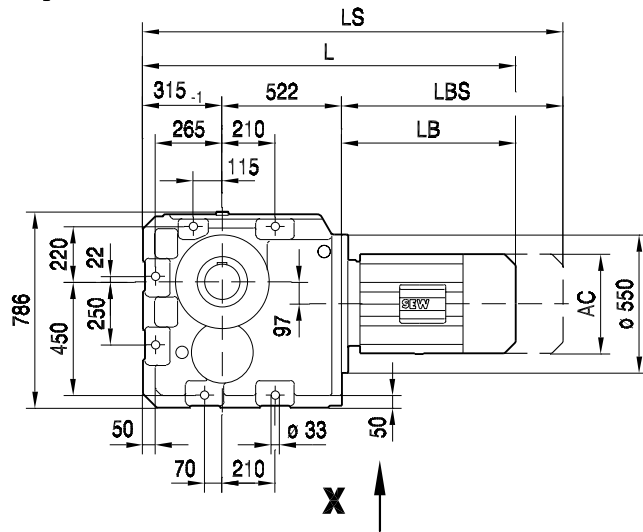
KHZ157..



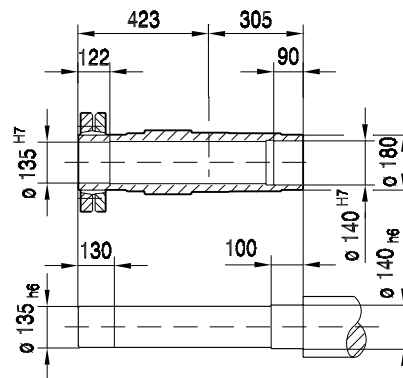
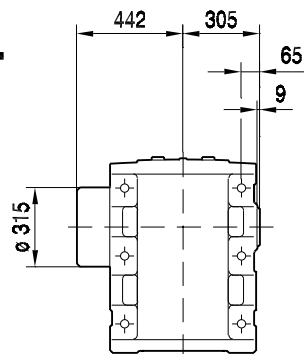
(→ 102)	DV160M	DV160L	DV180..	DV200..	DV225..	DV250M	DV280S	D280M	D315S	D315M
AC	275	331	331	394	394	510	510	537	612	612
AD	230	258	258	285	289	397	397	382	430	430
ADS	230	258	258	285	289	397	397	382	430	430
L	1139	1186	1258	1306	1388	1477	1477	1630	1681	1732
LS	1251	1342	1414	1462	1544	1662	1662	1841	1909	1960
LB	433	480	552	600	682	771	771	924	975	1026
LBS	545	636	708	756	838	956	956	1135	1203	1254



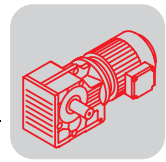
K167 ..



KH167B ..

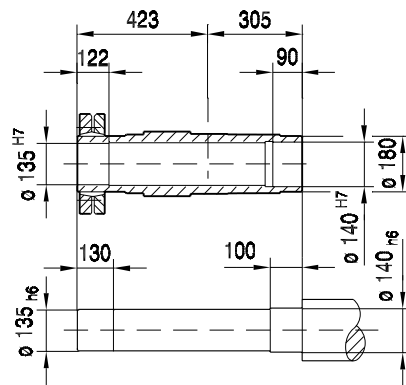
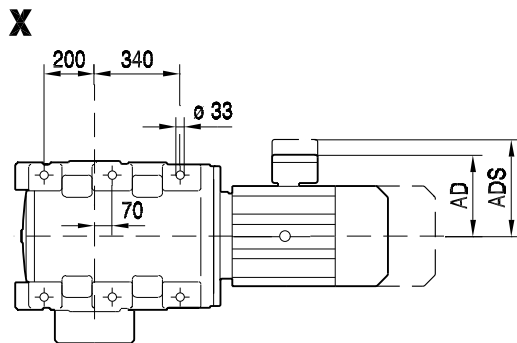
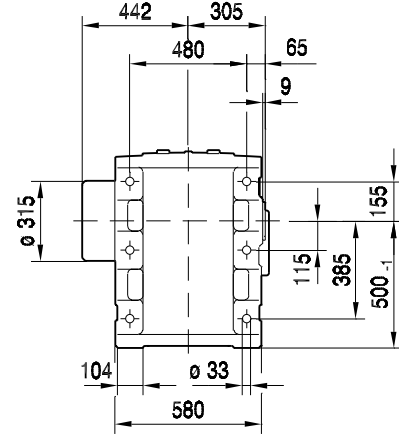
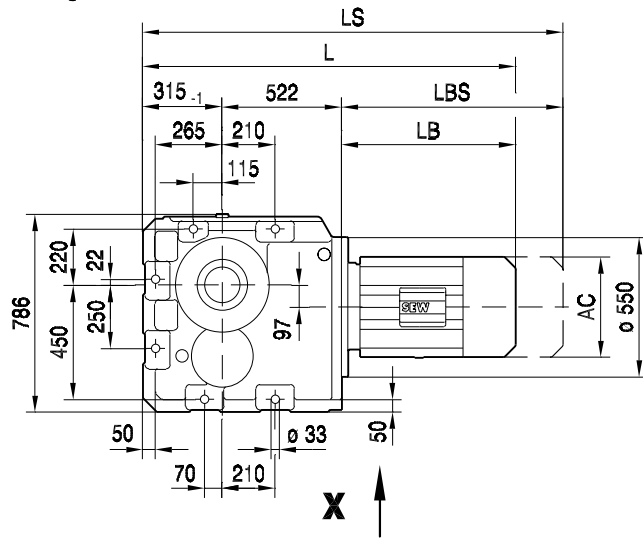


(→ 102)	DV160M	DV160L	DV180..	DV200..	DV225..	DV250M	DV280S	D280M	D315S	D315M
AC	275	331	331	394	394	510	510	537	612	612
AD	230	258	258	285	289	397	397	382	430	430
ADS	230	258	258	285	289	397	397	382	430	430
L	1270	1317	1389	1437	1519	1608	1608	1761	1812	1863
LS	1382	1473	1545	1593	1675	1793	1793	1972	2040	2091
LB	433	480	552	600	682	771	771	924	975	1026
LBS	545	636	708	756	838	956	956	1135	1203	1254

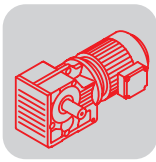


39 021 03 00

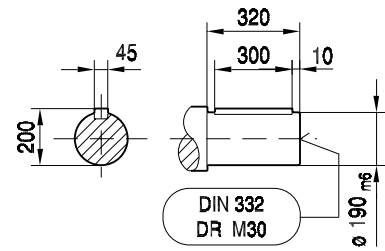
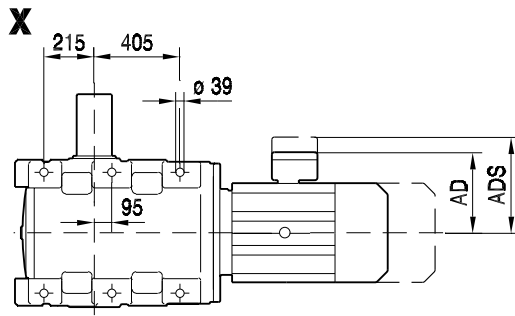
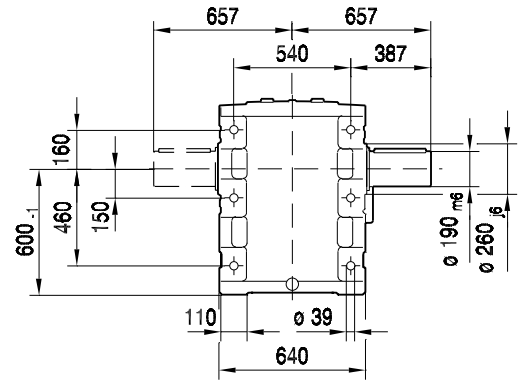
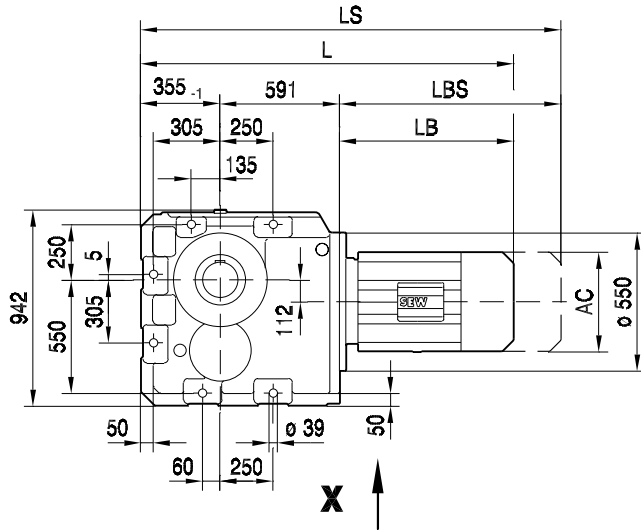
KH167 ..



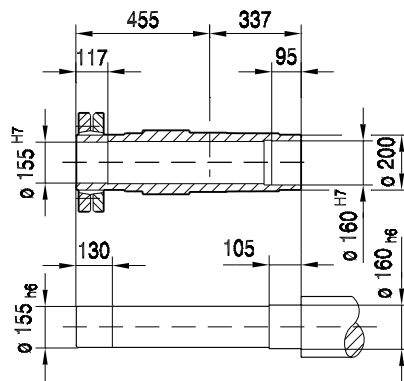
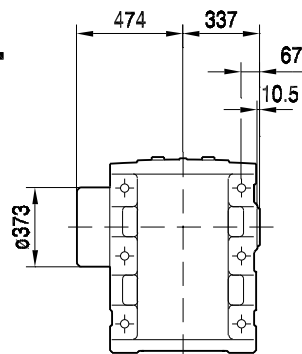
(→ 102)	DV160M	DV160L	DV180..	DV200..	DV225..	DV250M	DV280S	D280M	D315S	D315M	
AC	275	331	331	394	394	510	510	537	612	612	
AD	230	258	258	285	289	397	397	382	430	430	
ADS	230	258	258	285	289	397	397	382	430	430	
L	1270	1317	1389	1437	1519	1608	1608	1761	1812	1863	
LS	1382	1473	1545	1593	1675	1793	1793	1972	2040	2091	
LB	433	480	552	600	682	771	771	924	975	1026	
LBS	545	636	708	756	838	956	956	1135	1203	1254	



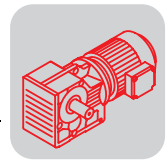
K187 ..



KH187B ..

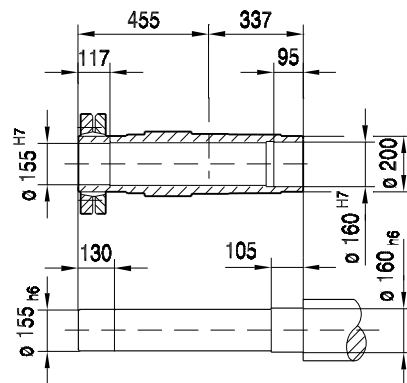
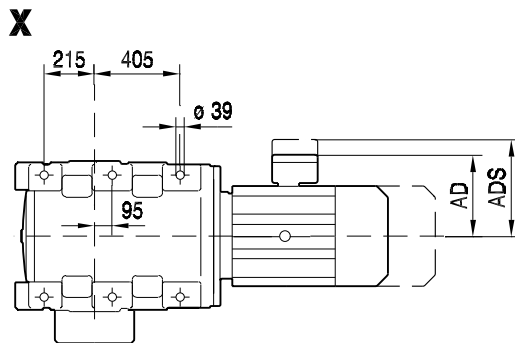
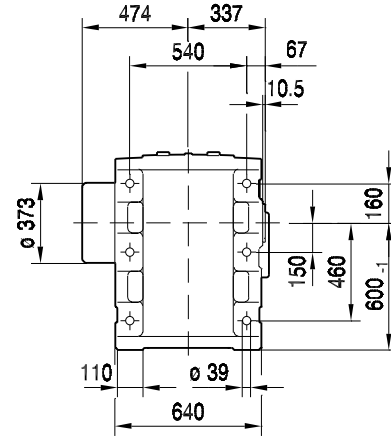
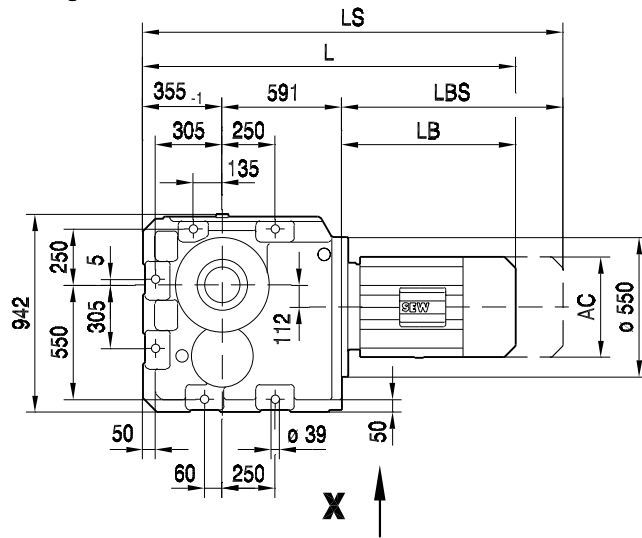


(→ 102)	DV180..	DV200..	DV225..	DV250M	DV280S	D280M	D315S	D315M			
AC	331	394	394	510	510	537	612	612			
AD	258	285	289	397	397	382	430	430			
ADS	258	285	289	397	397	382	430	430			
L	1498	1546	1628	1717	1717	1870	1921	1972			
LS	1654	1702	1784	1902	1902	2081	2149	2200			
LB	552	600	682	771	771	924	975	1026			
LBS	708	756	838	956	956	1135	1203	1254			

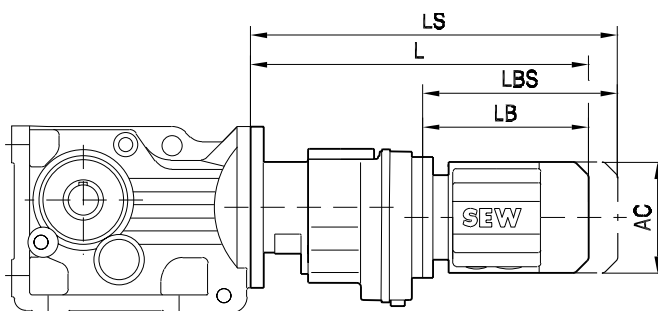
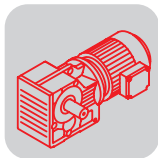


39 022 03 00

KH187 ..



(→ 102)	DV180..	DV200..	DV225..	DV250M	DV280S	D280M	D315S	D315M			
AC	331	394	394	510	510	537	612	612			
AD	258	285	289	397	397	382	430	430			
ADS	258	285	289	397	397	382	430	430			
L	1498	1546	1628	1717	1717	1870	1921	1972			
LS	1654	1702	1784	1902	1902	2081	2149	2200			
LB	552	600	682	771	771	924	975	1026			
LBS	708	756	838	956	956	1135	1203	1254			



(→ 102)		AC	L	LS	LB	LBS
K..37R17	DR63..	132	324	379	149	204
	DT71D	145	339	403	164	228
	DT80..	145	389	453	214	278
K..47R37	DR63..	132	356	411	191	246
	DT71D	145	371	435	206	270
	DT80..	145	421	485	256	320
K..57R37 K..67R37	DR63..	132	356	411	191	246
	DT71D	145	371	435	206	270
	DT80..	145	421	485	256	320
	DT90..	197	441	526	276	361
K..77R37	DR63..	132	348	403	191	246
	DT71D	145	363	427	206	270
	DT80..	145	413	477	256	320
K..87R57	DT90..	197	433	518	276	361
	DR63..	132	401	456	185	240
	DT71D	145	415	479	199	263
	DT80..	145	465	529	249	313
	DT90..	197	485	570	269	354
	DV100M	197	535	620	319	404
K..97R57	DV100L	197	565	650	349	434
	DR63..	132	396	451	185	240
	DT71D	145	410	474	199	263
	DT80..	145	460	524	249	313
	DT90..	197	480	565	269	354
	DV100M	197	530	615	319	404
	DV100L	197	560	645	349	434
K..107R77	DV112M	221	565	645	354	434
	DR63..	132	426	481	179	234
	DT71D	145	440	504	193	257
	DT80..	145	490	554	243	307
	DT90..	197	508	593	261	346
	DV100M	197	558	643	311	396
	DV100L	197	588	673	341	426
	DV112M	221	592	672	345	425
	DV132S	221	637	717	390	470
	DV132M	275	659	771	412	524
DV132ML	275	719	831	472	584	
DV160M	275	719	831	472	584	

(→ 102)		AC	L	LS	LB	LBS
K..127R77	DR63..	132	411	466	179	234
	DT71D	145	425	489	193	257
	DT80..	145	475	539	243	307
	DT90..	197	493	578	261	346
	DV100M	197	543	628	311	396
	DV100L	197	573	658	341	426
	DV112M	221	577	657	345	425
	DV132S	221	622	702	390	470
	DV132M	275	644	756	412	524
	DV132ML	275	704	816	472	584
	DV160M	275	704	816	472	584
	K..127R87	DT90..	197	537	622	257
DV100M		197	587	672	307	392
DV100L		197	617	702	337	422
DV112M		221	620	700	340	420
DV132S		221	665	745	385	465
DV132M		275	687	799	407	519
DV132ML		275	747	859	467	579
DV160M		275	747	859	467	579
DV160L		331	794	950	514	670
DV180..		331	866	1022	586	742
K..157R97 K167R97 KH167BR97 K187R97 KH187BR97	DT80..	145	556	620	231	295
	DT90..	197	576	661	251	336
	DV100M	197	626	711	301	386
	DV100L	197	656	741	331	416
	DV112M	221	660	740	335	415
	DV132S	221	705	785	380	460
	DV132M	275	727	839	402	514
	DV132ML	275	787	899	462	574
	DV160M	275	787	899	462	574
	DV160L	331	834	990	509	665
K..157R107 K167R107 KH167BR107 K187R107 KH187BR107	DV180..	331	906	1062	581	737
	DV200..	394	954	1110	629	785
	DV100M	197	677	762	295	380
	DV100L	197	707	792	325	410
	DV112M	221	711	791	329	409
	DV132S	221	756	836	374	454
	DV132M	275	778	890	396	508
	DV132ML	275	838	950	456	568
	DV160M	275	838	950	456	568
	DV160L	331	885	1041	503	659
DV180..	331	957	1113	575	731	
DV200..	394	1005	1161	623	779	
DV225..	394	1087	1243	705	861	